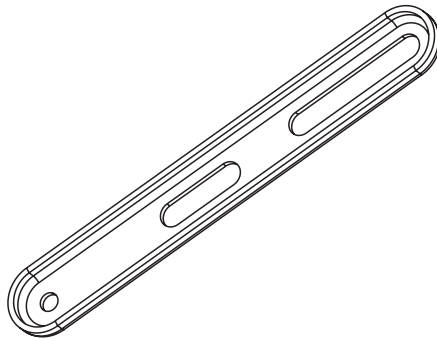


---

## VESA LCD Screen Adapter 100x100mm to 400x400mm Instruction Manual



**SKU: MOUNT-AD400B**



Scan the QR code with your mobile device or follow the link for helpful videos and specifications related to this product.

<https://vivo-us.com/products/mount-ad400b>

---

**GET IN TOUCH** | Monday-Friday from 7:00am-7:00pm CST



help@vivo-us.com



www.vivo-us.com  
*Chat live with an agent!*



309-278-5303

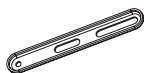
## **WARNING!**

If you do not understand these directions, or if you have any doubts about the safety of the installation, please call a qualified technician. Check carefully to make sure there are no missing or defective parts. Improper installation may cause damage or serious injury. Do not use this product for any purpose that is not explicitly specified in this manual. Do not exceed weight capacity. We cannot be liable for damage or injury caused by improper mounting, incorrect assembly or inappropriate use.

## **WARNING: CHOKING HAZARD**

SMALL PARTS - NOT FOR CHILDREN UNDER 3 YEARS. ADULT SUPERVISION IS REQUIRED.

## PACKAGE CONTENTS



**A (x4)**  
VESA Arm



**B (x4)**  
Flat Bolt



**C (x4)**  
Nut



**M-A (x4)**  
M6x30



**M-B (x4)**  
M8x30



**M-C (x4)**  
Spacer

## TOOLS NEEDED



**Phillips  
Screwdriver**

**DO NOT EXCEED WEIGHT CAPACITY.**

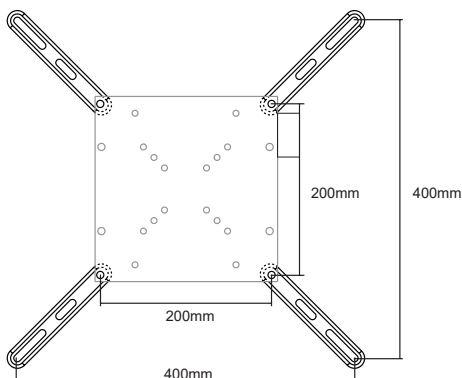
Failure to do so may result in serious injury.



## ASSEMBLY STEPS

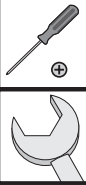
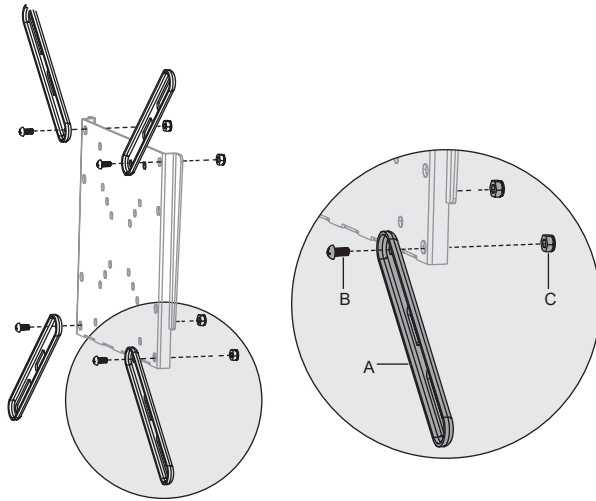
### STEP 1

This VESA adapter kit is designed to fit to the VESA 200x200mm mounting holes of an existing TV mount, allowing a TV with a VESA hole pattern of 300x200mm, 300x300mm, 400x200mm, 400x300mm or 400x400mm to be attached to the mount.



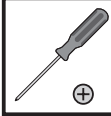
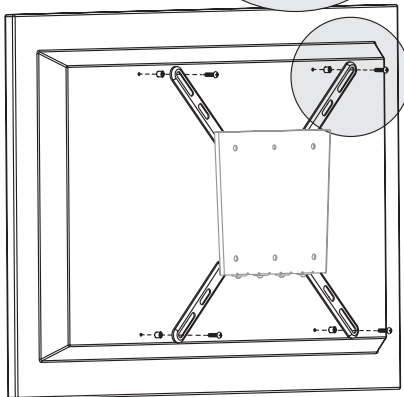
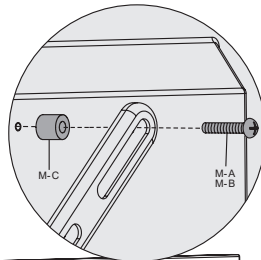
## STEP 2

Attach VESA arms (A) to TV mount using flat bolts (B) and nuts (C).




## STEP 3

Mount TV to VESA arms using bolts (M-A or M-B) with spacers (M-C).





Open **Monday - Friday 7:00am - 7:00pm** CST,  
our dedicated support team can offer immediate assistance with rapid response times. If any parts are received damaged or defective, please contact us. We are happy to replace parts to ensure you have a fully functioning product.


 [help@vivo-us.com](mailto:help@vivo-us.com)

**AVG. RESPONSE TIME** (*within office hrs*): **1HR 8M**

- 23% within < 15m
- 38% within < 30m
- 61% within < 1hr
- 83% within < 2hr
- 92% within < 3hr

 [www.vivo-us.com](http://www.vivo-us.com)  
*Chat live with an agent!*

**AVG. RESOLUTION TIME** (*within office hrs*): **< 15 M**

 309-278-5303

**AVG. RESOLUTION TIME** (*within office hrs*): **5M 4S**