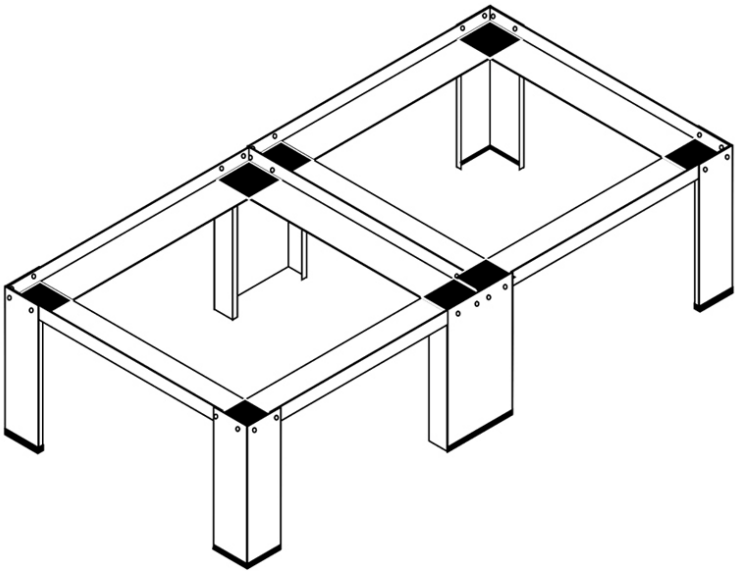




Washer/Dryer Pedestal

SKU: LF-WDP01

Instruction Manual



GET IN TOUCH | Monday-Friday from 7:00am-7:00pm CST



help@life-finds.com



309-278-5303

WARNING!

If you do not understand these directions, or if you have any doubts about the safety of the installation, please call a qualified technician. Check carefully to make sure there are no missing or defective parts. Improper installation may cause damage or serious injury. Do not use this product for any purpose that is not explicitly specified in this manual. Do not exceed weight capacity. We cannot be liable for damage or injury caused by improper mounting, incorrect assembly or inappropriate use.

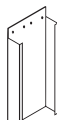
WARNING: CHOKING HAZARD

SMALL PARTS - NOT FOR CHILDREN UNDER 3 YEARS. ADULT SUPERVISION IS REQUIRED.

PACKAGE CONTENTS



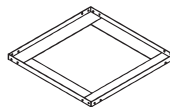
A (x4)
Corner Leg



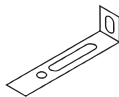
B (x2)
Connecting Leg



C (x8)
Pad



D (x2)
Base



E (x2)
Wall Brace



S-A (x28)
M5x12mm
Screw



S-B (x28)
M5 Nut



T-A (x1)
Allen Wrench



T-B (x1)
Wrench

NOTE: Not all hardware will be utilized

DO NOT EXCEED WEIGHT CAPACITY.

Failure to do so may result in serious injury.



TOOLS NEEDED



**Phillips
Screwdriver**

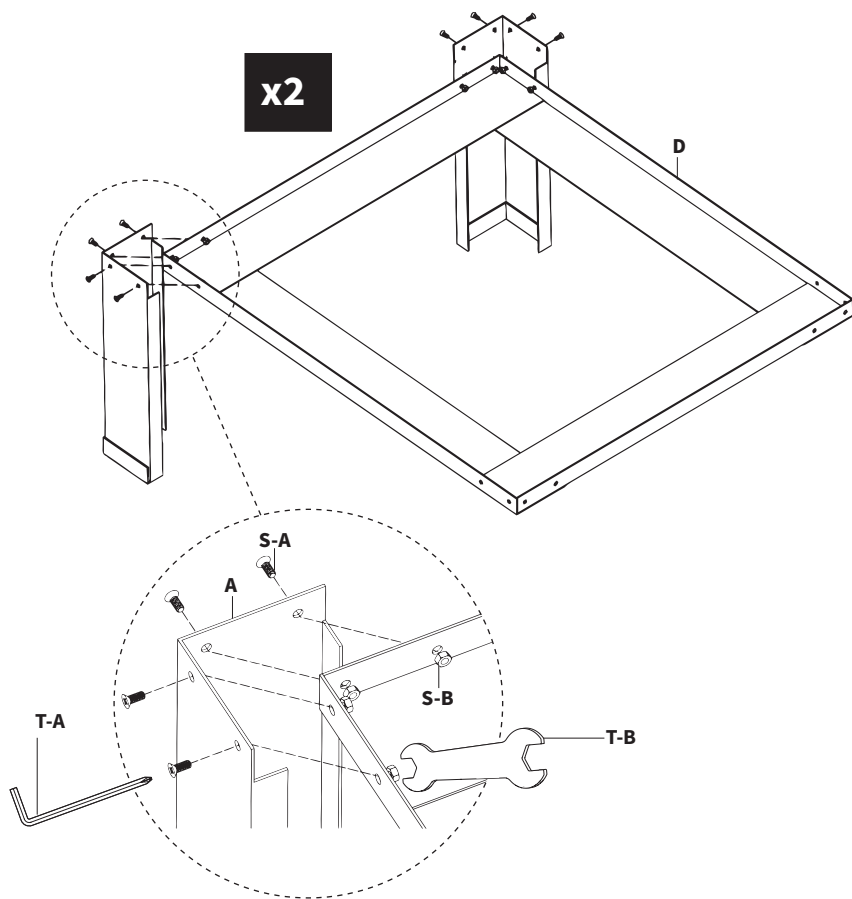


**Adjustable
Wrench**

ASSEMBLY STEPS

STEP 1

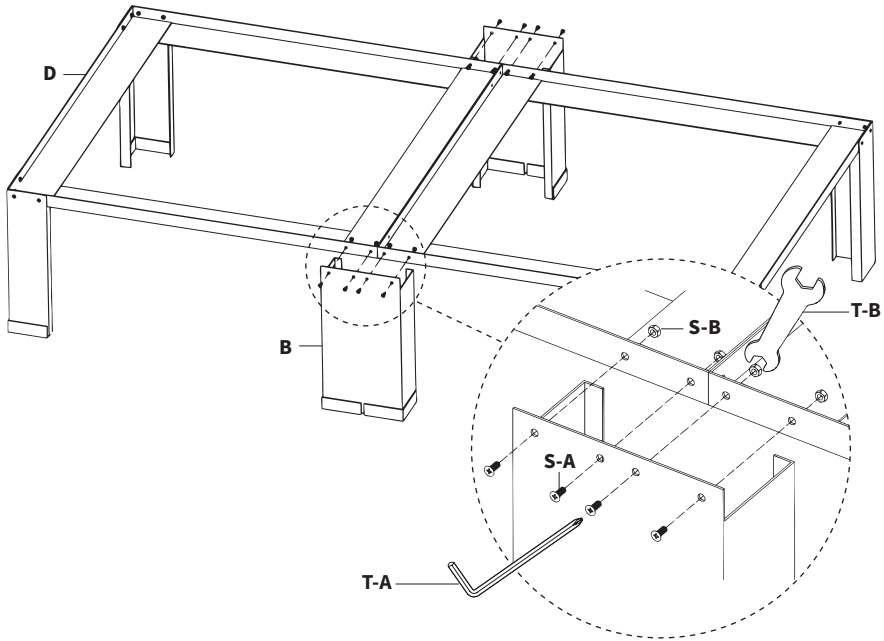
Install two Corner Legs (A) to each Base (D) piece, as shown below. Install using M5x12mm Screws (S-A), M5 Nuts (S-B), Phillips end of Allen Wrench (T-A), and Wrench (T-B).



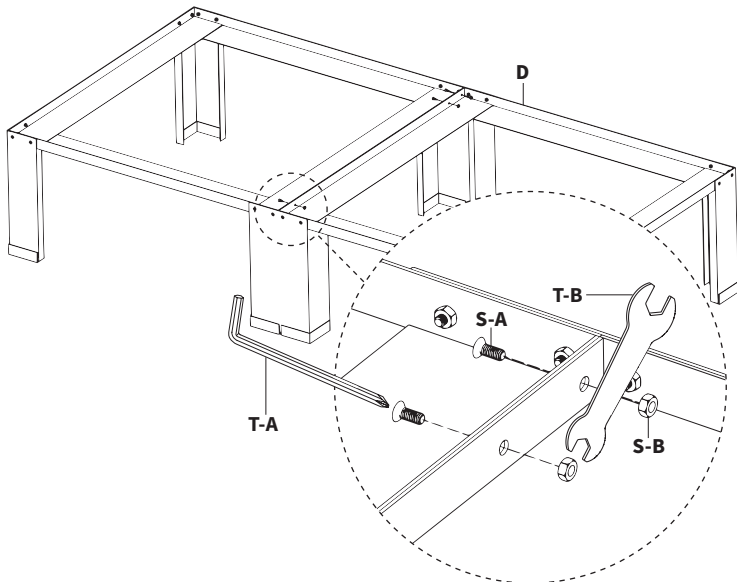
STEP 2

Connect both Base **(D)** pieces together using Connecting Leg **(B)**, M5x12mm Screws **(S-A)**, M5 Nuts **(S-B)**, Phillips end of Allen Wrench **(T-A)**, and Wrench **(T-B)**.

NOTE: Do not fully tighten M5x12mm Screws **(S-A)** until all Screws are in place.

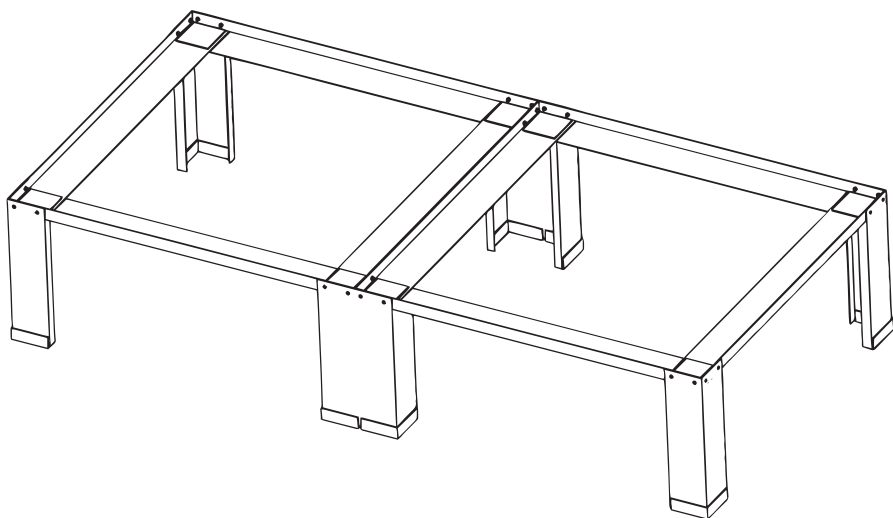
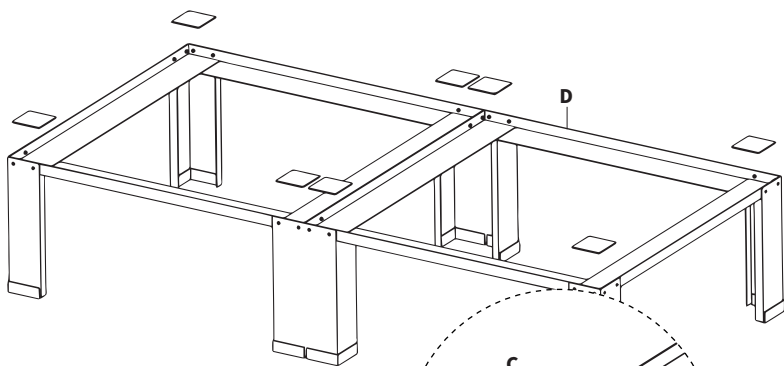


Secure both Base **(D)** pieces together using M5x12mm Screws **(S-A)**, M5 Nuts **(S-B)** in the center holes. Use Phillips end of Allen Wrench **(T-A)** and Wrench **(T-B)**.



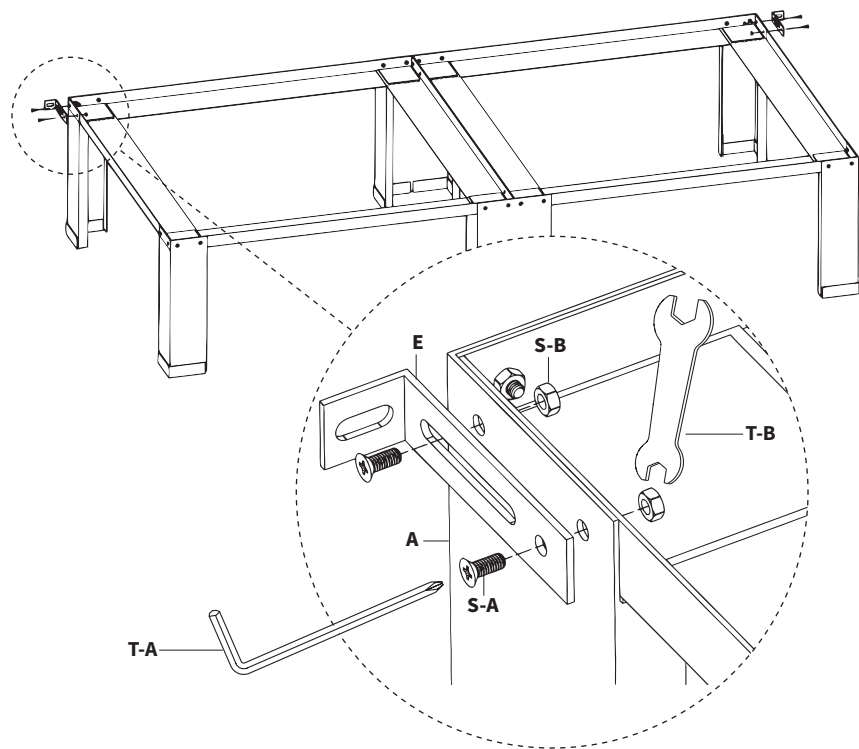
STEP 3

Remove protective film from Pads (C) and apply to the corners on Base (D) pieces.



OPTIONAL

Optional wall mounting brackets have been included to help keep the pedestal in place with continuous vibration. Attach Wall Braces (**E**) to Corner Legs (**A**) using M5x12mm Screws (**S-A**), M5 Nuts (**S-B**), Phillips end of Allen Wrench (**T-A**), and Wrench (**T-B**). Hardware to secure brackets to wall is not included and will vary depending on your mounting surface.



STEP 4

Assembly complete.

To Place Washer/Dryer: Clear the area where the washer and dryer pedestal will be placed. Before placing the units on the pedestal ensure the hookups will still be compatible with the units being raised 12" (30.5cm).

Using the help of a second person, lift the washer and dryer onto the pedestal and complete the hookup process.

[THIS PAGE IS INTENTIONALLY LEFT BLANK]



Open **Monday - Friday 7:00am - 7:00pm** CST,
our dedicated support team can offer immediate assistance with rapid response times. If any
parts are received damaged or defective, please contact us. We are happy to replace parts to
ensure you have a fully functioning product.



help@life-finds.com



309-278-5303

FOR MORE LIFE FINDS PRODUCTS, CHECK OUT OUR WEBSITE AT: www.life-finds.com