

Robotic Lawn Mower Shade

SKU: LF-RLS1

Instruction Manual

! CAUTION! !

If you do not understand these directions, or if you have any doubts about the safety of the installation, please contact our product support team at 309-278-5303 or help@life-finds.com for further assistance. Check carefully to make sure there are no missing or defective parts. Improper installation may cause damage or serious injury. Do not use this product for any purpose that is not explicitly specified in this manual. Do not exceed weight capacity. We cannot be liable for damage or injury caused by improper mounting, incorrect assembly or inappropriate use.



WARNING: CHOKING HAZARD

SMALL PARTS - NOT FOR CHILDREN UNDER 3 YEARS. ADULT SUPERVISION IS REQUIRED.

We're Here for You

Open **Monday - Friday 7:00am - 7:00pm** CST, our dedicated support team can offer immediate assistance with rapid response times. If any parts are received damaged or defective, please contact us. We are happy to replace parts to ensure you have a fully functioning product.



Give us a Call:
309-278-5303

AVG. RESOLUTION TIME *(within office hrs)*: **5M 4S**

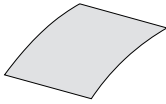


Email Us:
help@life-find.com

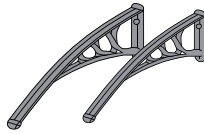
AVG. RESPONSE TIME *(within office hrs)*: **1HR 8M**

- 23% within < 15m
- 38% within < 30m
- 61% within < 1hr
- 83% within < 2hr
- 92% within < 3hr

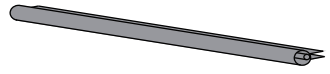
Package Contents



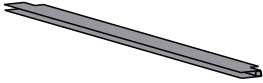
A (x1)
Shade



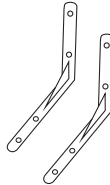
B (x2)
Frame



C1 (x1)
Front Shade Support



C2 (x1)
Rear Shade Support



D (x2)
Leg

Included Hardware & Tools



S-A (x4)
ST4x24mm
Screws



S-B (x2)
M10x35mm
Screws



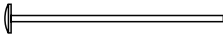
S-C (x2)
M10x25mm
Screws



S-D (x4)
M10 Washer



S-E (x4)
M10 Nut

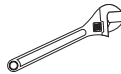


W-A (x4)
Ground Stake

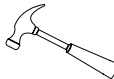
Tools Needed:



**Phillips
Screwdriver**



**Adjustable
Wrench**

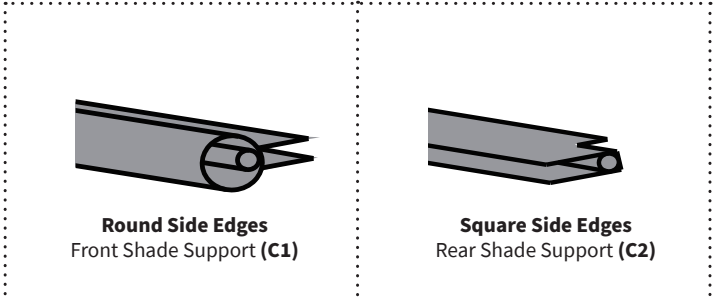
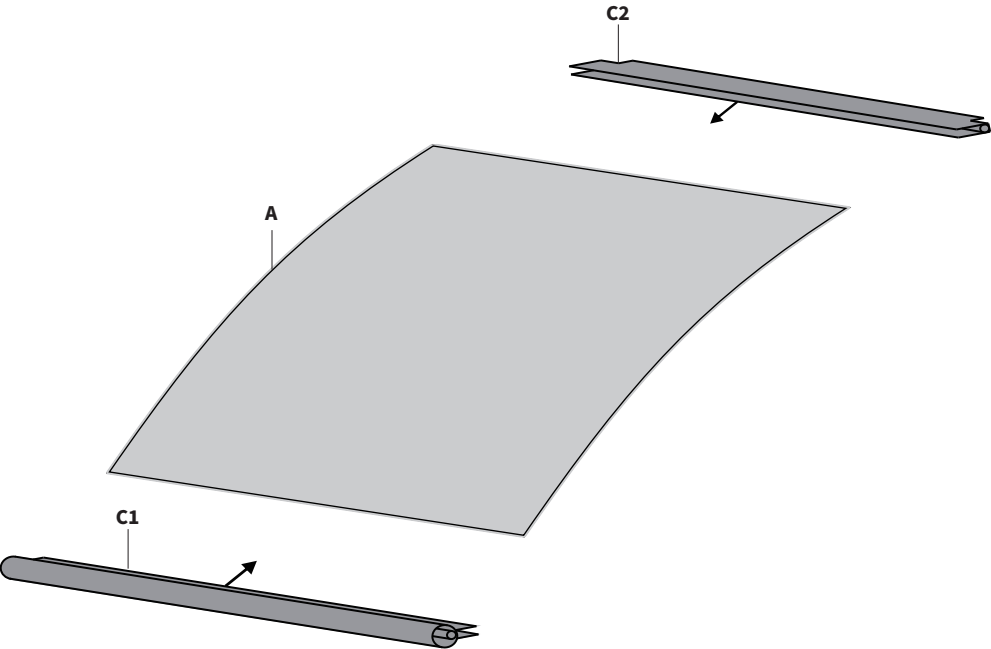


Hammer

ASSEMBLY STEPS

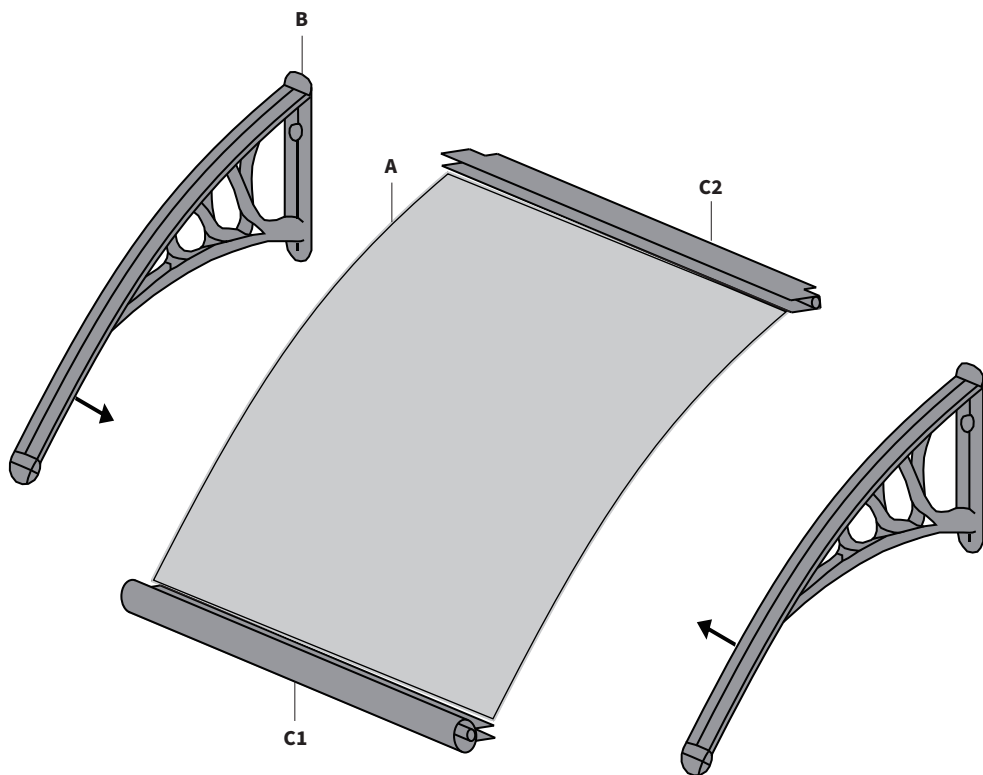
STEP 1

Remove the protective film on Shade (A), Front Shade Support (C1), and Rear Shade Support (C2).
Install the Slide Shade Supports onto the short ends of Shade.



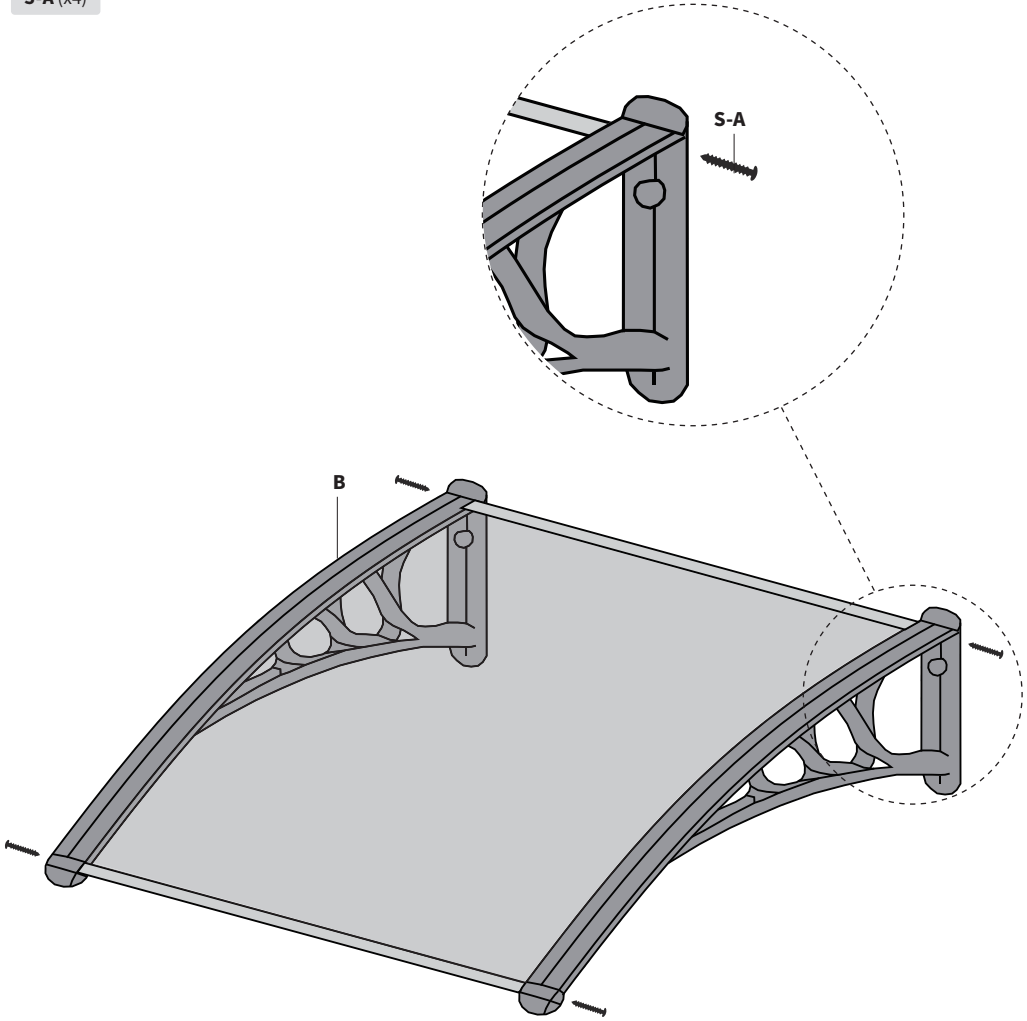
STEP 2

Slide Frame pieces **(B)** on to the side of Shade **(A)**.



STEP 3

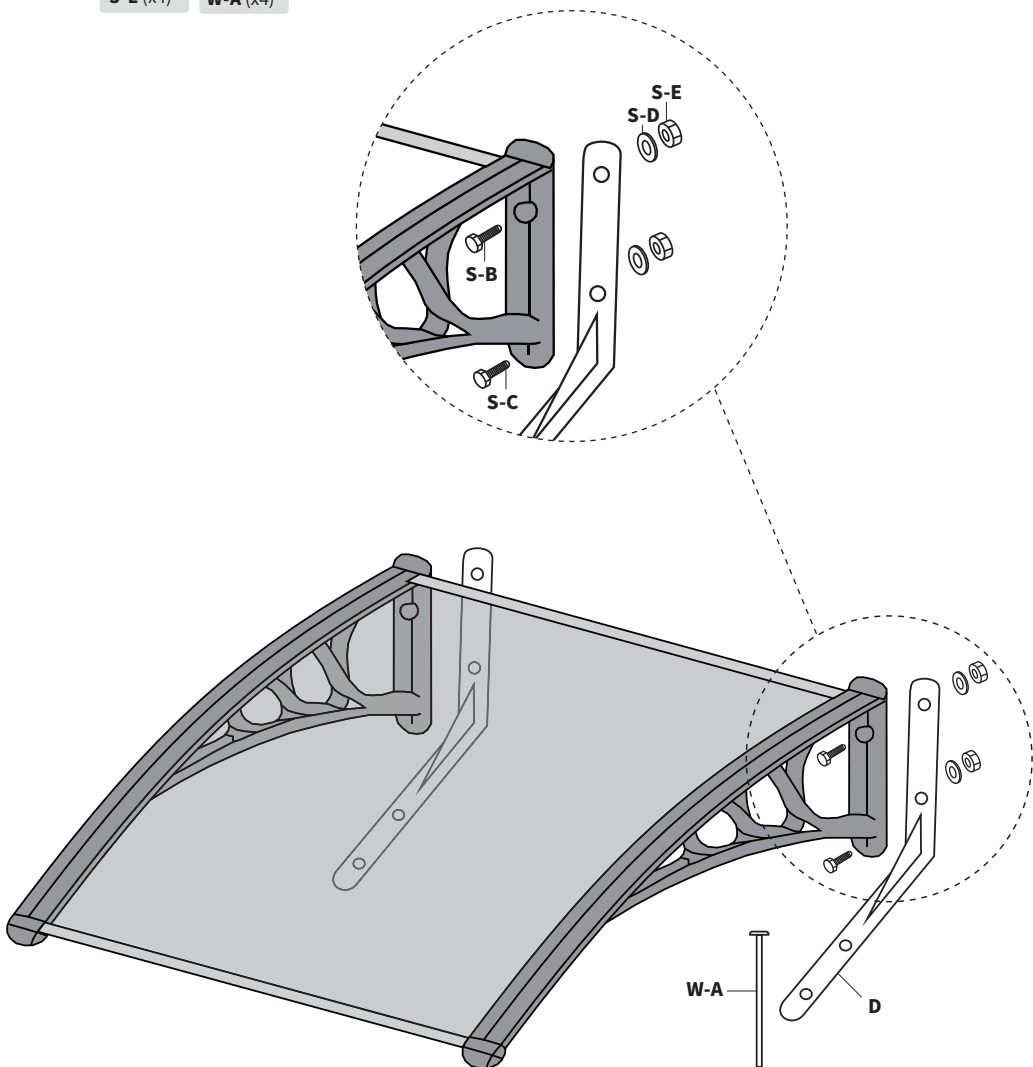
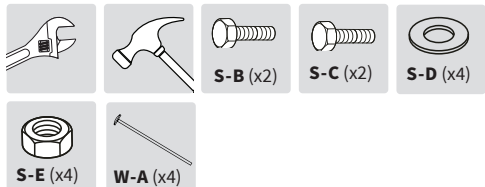
Secure Frame Pieces (B) into Shade Support (C) using ST4x24mm Screws (S-A) and a Phillips screwdriver.



STEP 4

Secure Feet (**D**) to Supports (**B**) using M10x35mm Screws (**S-B**), M10 Washers (**S-C**), and M10 Nuts (**S-E**) in the back upper holes. Use M10x25mm Screws (**S-C**), Washers, and Nuts in the back lower holes. Tighten both sets using an adjustable wrench.

Use Ground Stakes (**W-A**) and a hammer to secure assembled shade to desired location in yard.





Need Help? Get In Touch

Monday-Friday from 7:00am-7:00pm CST



help@vivo-us.com



309-278-5303