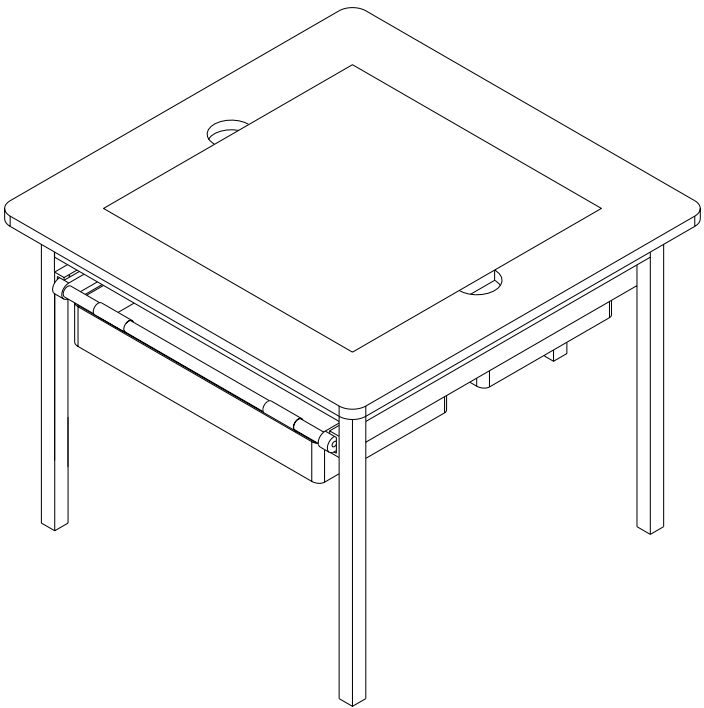




Table with Storage Drawers
Designed for Lego Bricks

SKU: LF-LTB01

Instruction Manual



GET IN TOUCH | Monday-Friday from 7:00am-7:00pm CST



help@life-finds.com



309-278-5303

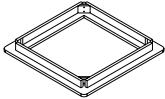
WARNING!

If you do not understand these directions, or if you have any doubts about the safety of the installation, please call a qualified technician. Check carefully to make sure there are no missing or defective parts. Improper installation may cause damage or serious injury. Do not use this product for any purpose that is not explicitly specified in this manual. Do not exceed weight capacity. We cannot be liable for damage or injury caused by improper mounting, incorrect assembly or inappropriate use.

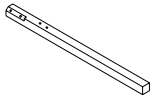
WARNING: CHOKING HAZARD

SMALL PARTS - NOT FOR CHILDREN UNDER 3 YEARS. ADULT SUPERVISION IS REQUIRED.

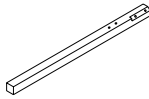
PACKAGE CONTENTS



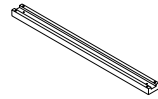
A (x1)
Table



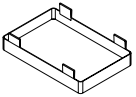
B (x2)
Left Leg



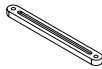
C (x2)
Right Leg



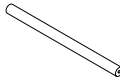
D (x2)
Crossbar



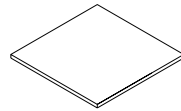
E (x2)
Canvas Drawer



F (x4)
Drawer Rail



G (x4)
Drawer Rod



H (x1)
Build Plate Insert



S-A (x8)
ST6x45mm Screw



S-B (x16)
ST4x30mm Screw



T-A (x1)
Phillips Screwdriver

DO NOT EXCEED WEIGHT CAPACITY.

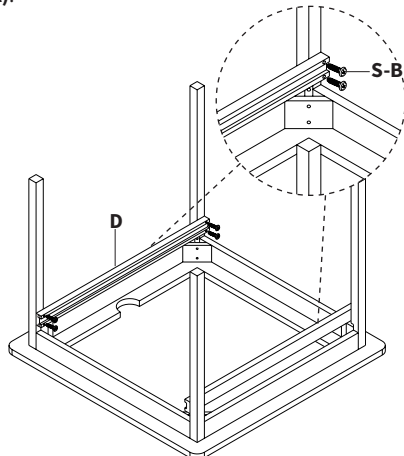
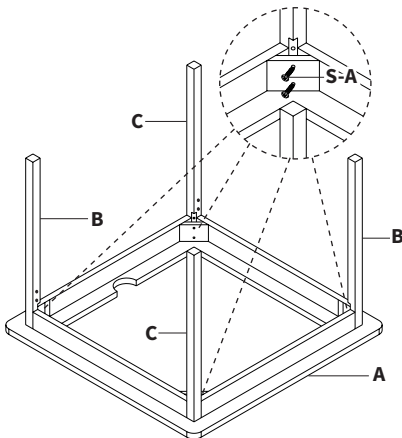
Failure to do so may result in serious injury.



ASSEMBLY STEPS

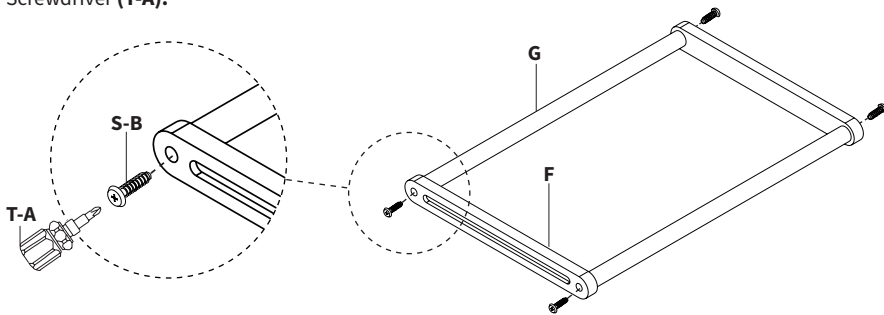
STEP 1

Assemble Left and Right Legs (**B,C**) to Table (**A**) using ST6x45mm Screws (**S-A**) and a Phillips screwdriver. Ensure the legs are oriented so that the pre-drilled crossbar mounting holes are facing inwards as shown in the image. Assemble Crossbars (**D**) to Left and Right Legs (**B,C**) using ST4x30mm Screws (**S-B**) and tighten with Phillips Screwdriver (**T-A**).



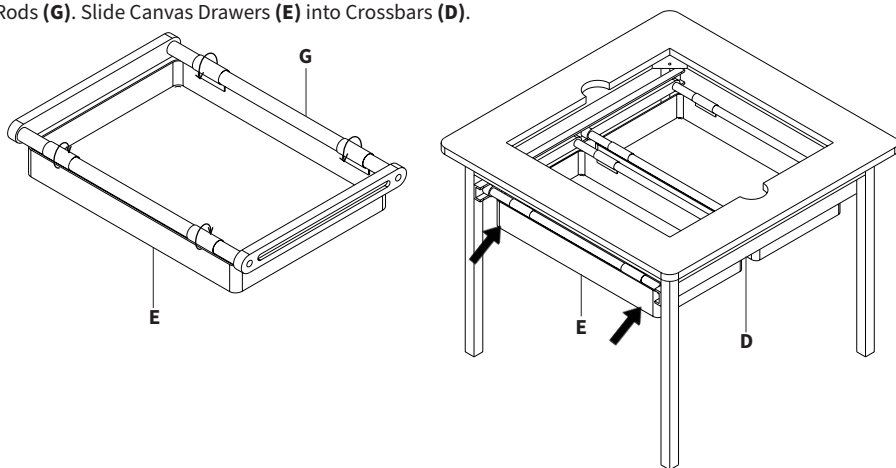
STEP 2

Combine Drawer Rails (**F**) and Drawer Rods (**G**) using ST4x30mm Screws (**S-B**) and Phillips Screwdriver (**T-A**).



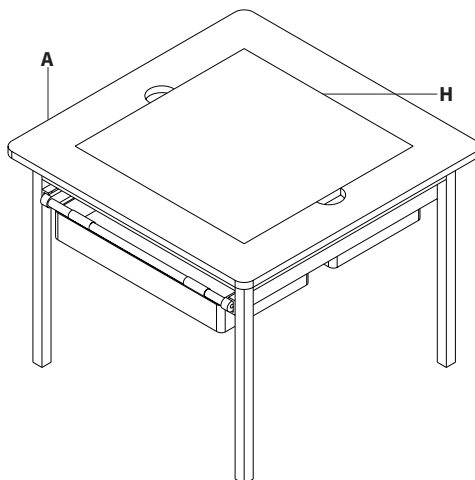
STEP 3

Attach Canvas Drawer (**E**) to Drawer Rods (**G**) by wrapping the velcro straps over and around Drawer Rods (**G**). Slide Canvas Drawers (**E**) into Crossbars (**D**).



STEP 4

Place the Build Plate Insert (**H**) onto the Table (**A**).





Open **Monday - Friday 7:00am - 7:00pm** CST,
our dedicated support team can offer immediate assistance with rapid response times. If any
parts are received damaged or defective, please contact us. We are happy to replace parts to
ensure you have a fully functioning product.



help@life-finds.com



309-278-5303

FOR MORE LIFE FINDS PRODUCTS, CHECK OUT OUR WEBSITE AT: www.life-finds.com