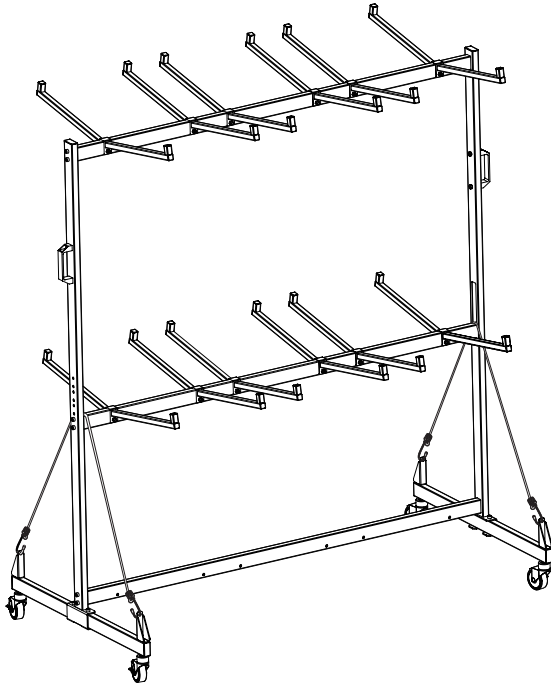




Folding Table and Chair Cart with Cover

SKU: LF-FTCC01
Instruction Manual



GET IN TOUCH | Monday-Friday from 7:00am-7:00pm CST



help@life-finds.com



309-278-5303

WARNING!

If you do not understand these directions, or if you have any doubts about the safety of the installation, please call a qualified technician. Check carefully to make sure there are no missing or defective parts. Improper installation may cause damage or serious injury. Do not use this product for any purpose that is not explicitly specified in this manual. Do not exceed weight capacity. We cannot be liable for damage or injury caused by improper mounting, incorrect assembly or inappropriate use.

WARNING: CHOKING HAZARD

SMALL PARTS - NOT FOR CHILDREN UNDER 3 YEARS. ADULT SUPERVISION IS REQUIRED.

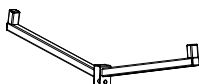
PACKAGE CONTENTS



A (x2)
Base



B (x3)
Horizontal Support



C (x12)
Chair Bracket



D (x2)
Vertical Support



E (x2)
Locking Caster



F (x2)
Caster



G (x2)
Handle



H (x2)
Table Strap



I (x1)
Dustcover



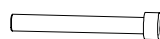
S-A (x16)
M8x40mm Screw



S-B (x12)
M8x25mm Screw



S-C (x16)
M8 Nut



S-D (x4)
M8x65mm Screw



T-A (x1)
6mm Allen Wrench



T-B (x1)
Wrench



T-C (x1)
Wrench

DO NOT EXCEED WEIGHT CAPACITY.

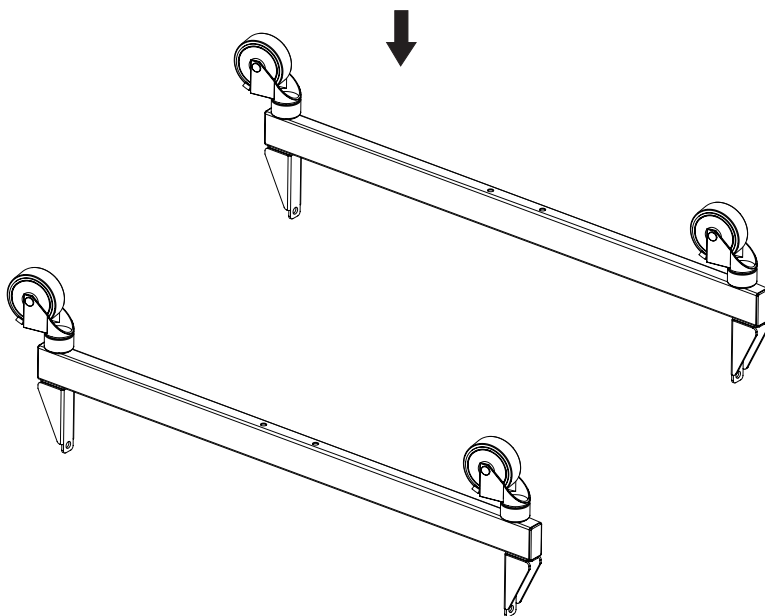
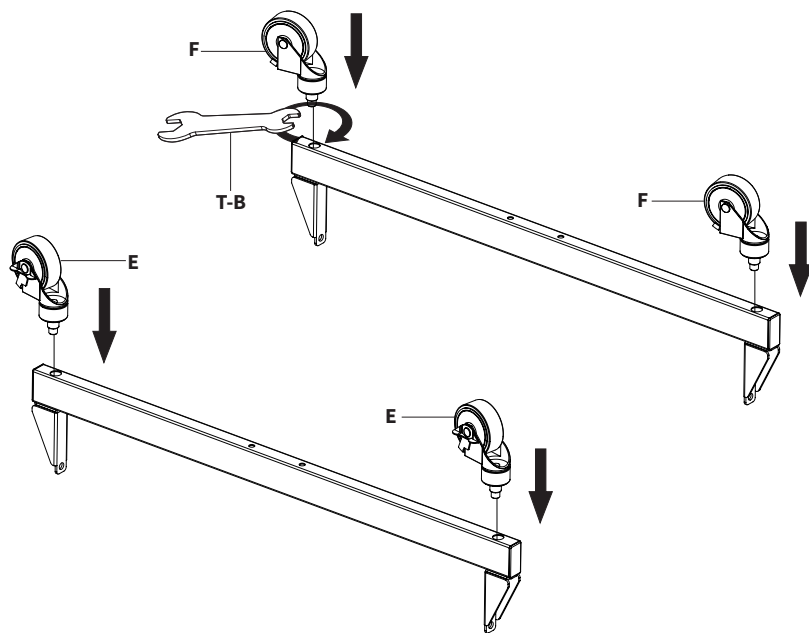
Failure to do so may result in serious injury.



ASSEMBLY STEPS

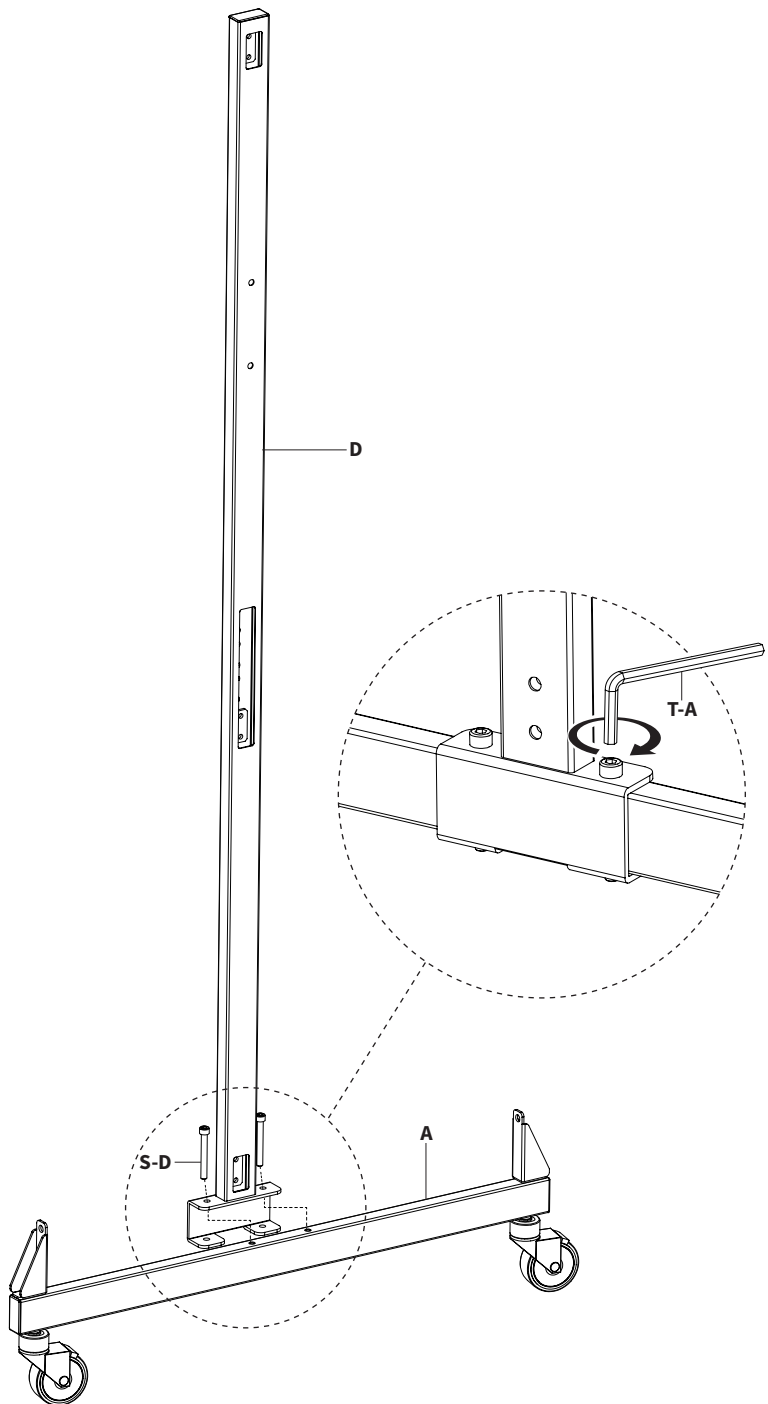
STEP 1

Thread Locking Casters (**E**) and Casters (**F**) into the bottom of Bases (**A**) using Wrench (**T-B**).



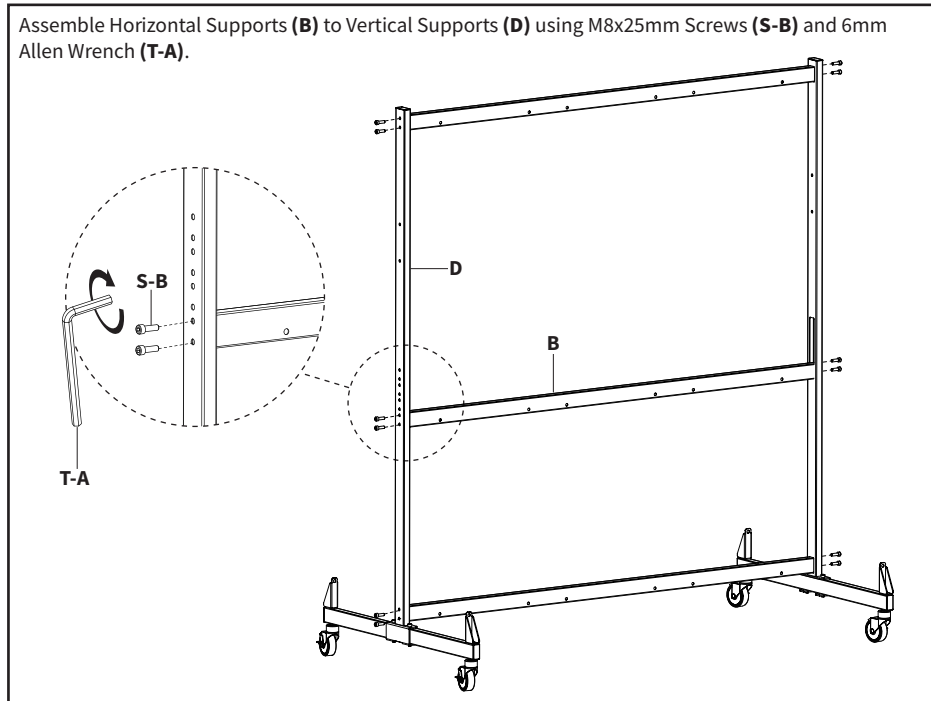
STEP 2

Secure Vertical Supports (D) to Bases (A) using Mx65mm Screws (S-D) and 6mm Allen Wrench (T-A).



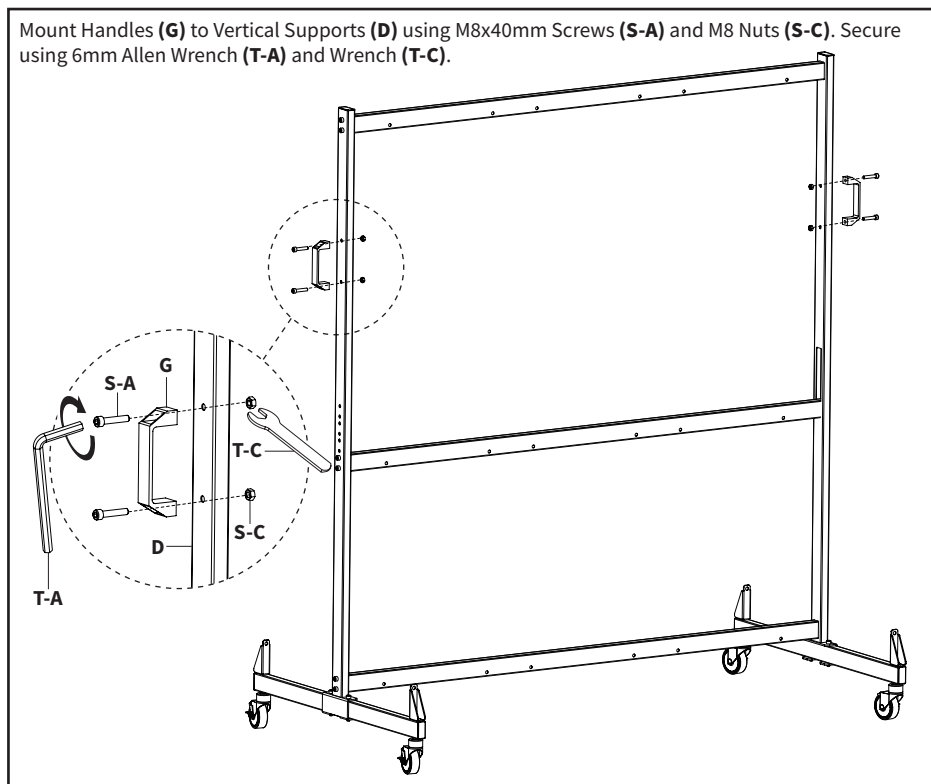
STEP 3

Assemble Horizontal Supports (**B**) to Vertical Supports (**D**) using M8x25mm Screws (**S-B**) and 6mm Allen Wrench (**T-A**).



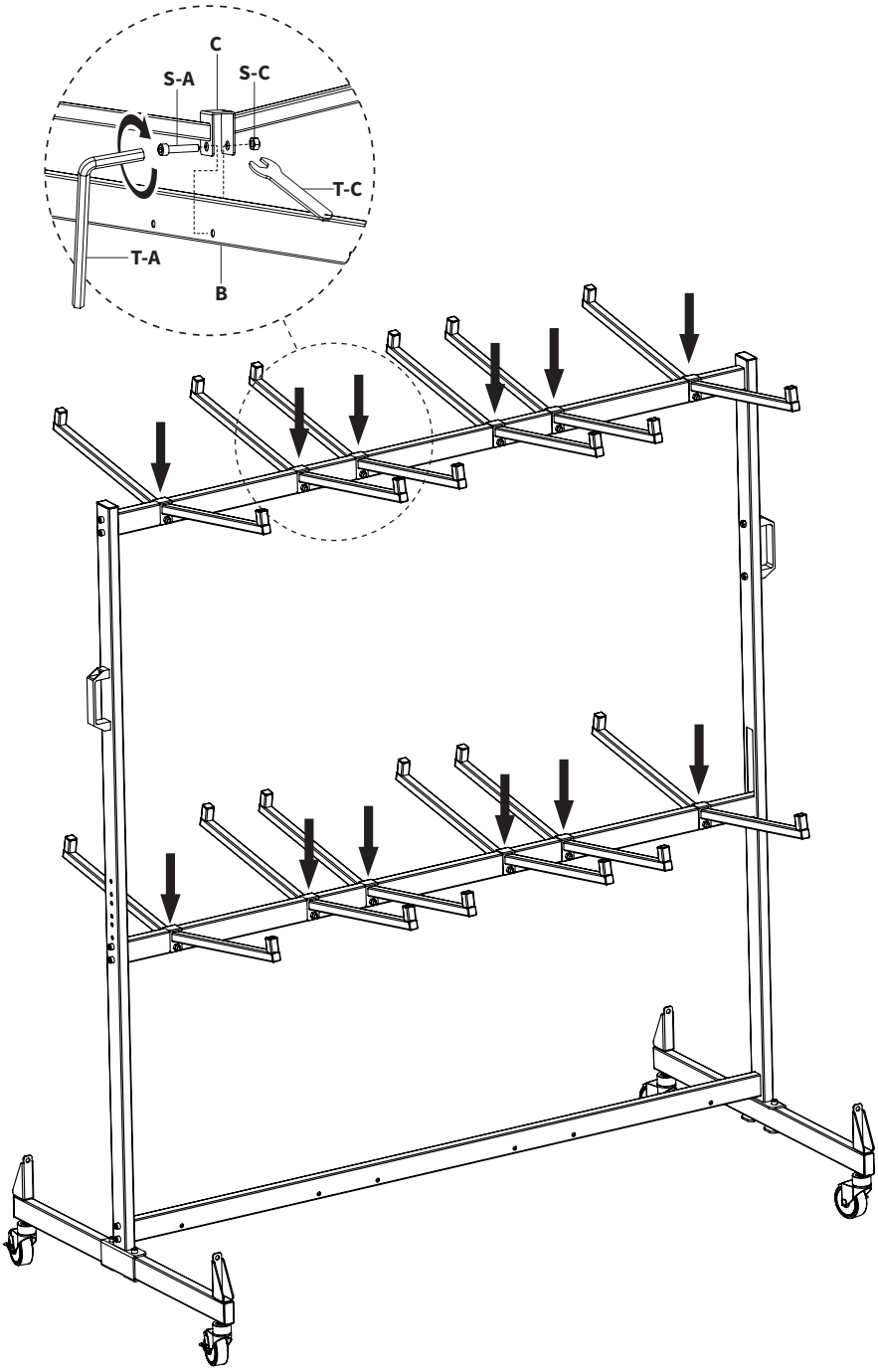
STEP 4

Mount Handles (**G**) to Vertical Supports (**D**) using M8x40mm Screws (**S-A**) and M8 Nuts (**S-C**). Secure using 6mm Allen Wrench (**T-A**) and Wrench (**T-C**).



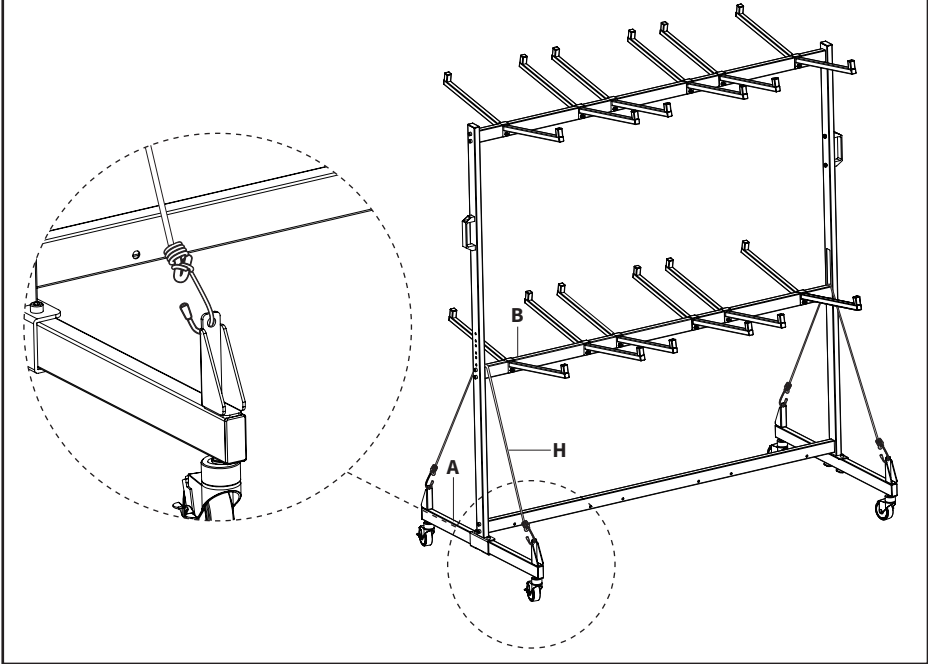
STEP 5

Assemble Chair Brackets (C) to Horizontal Supports (B) using M8x40mm Screws (S-A) and with M8 Nuts (S-C). Tighten using 6mm Allen Wrench (T-A) and Wrench (T-C).



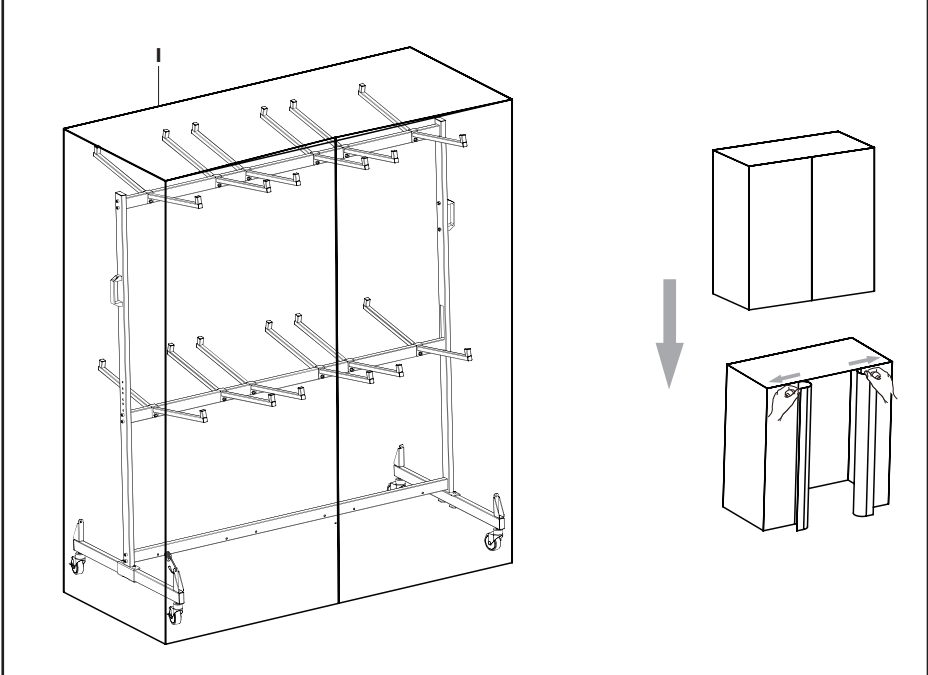
STEP 6

To secure tables in place, hook one end of Bungee Cord (**H**) to the end of Base (**A**). Pull Bungee Cord (**H**) up and over the center Horizontal Support (**B**) and hook the other end into the Base (**A**).



STEP 7

Place Dustcover (**I**) over the assembled cart.





Open **Monday - Friday 7:00am - 7:00pm** CST,
our dedicated support team can offer immediate assistance with rapid response times. If any
parts are received damaged or defective, please contact us. We are happy to replace parts to
ensure you have a fully functioning product.



help@life-finds.com



309-278-5303

FOR MORE LIFE FINDS PRODUCTS, CHECK OUT OUR WEBSITE AT: www.life-finds.com