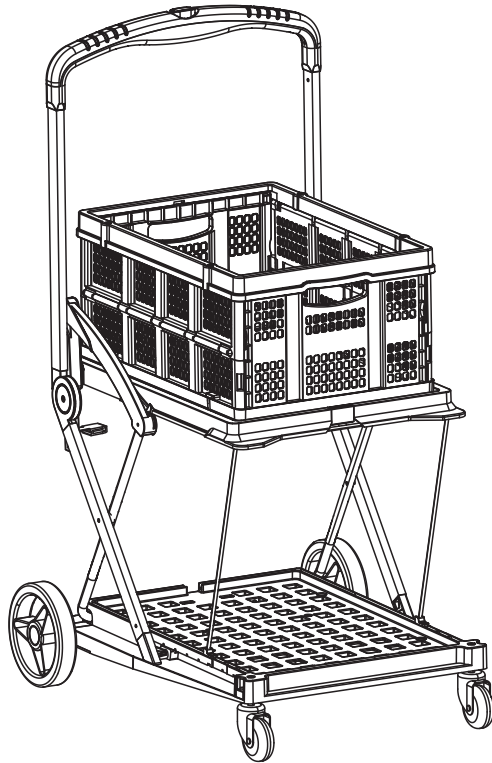




Black Collapsible Shopping Cart

SKU: LF-FSC01B

Instruction Manual



GET IN TOUCH | Monday-Friday from 7:00am-7:00pm CST



help@lifefinds.store



309-278-5303

WARNING!

If you do not understand these directions, or if you have any doubts about the safety of the installation, please contact our product support team at 309-278-5303 or help@vivo-us.com for further assistance. Check carefully to make sure there are no missing or defective parts. Improper installation may cause damage or serious injury. Do not use this product for any purpose that is not explicitly specified in this manual. Do not exceed weight capacity. We cannot be liable for damage or injury caused by improper mounting, incorrect assembly or inappropriate use.

WARNING: CHOKING HAZARD

SMALL PARTS - NOT FOR CHILDREN UNDER 3 YEARS. ADULT SUPERVISION IS REQUIRED.

PACKAGE CONTENTS



A (x1)
Cart



B (x1)
Basket

DO NOT EXCEED WEIGHT CAPACITY.

Failure to do so may result in serious injury.



Total

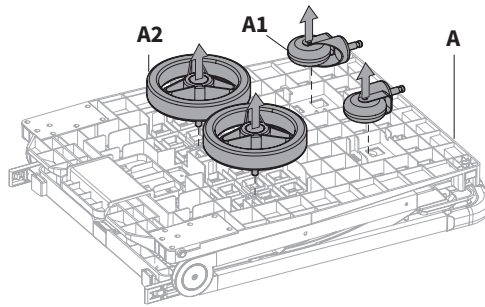


Top Shelf

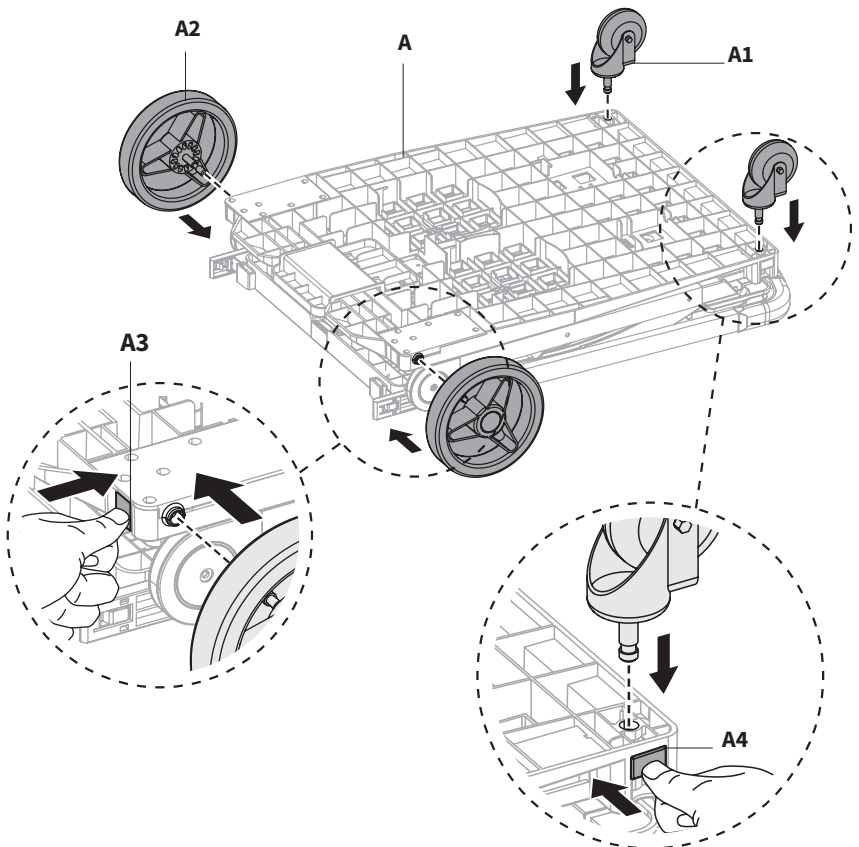
ASSEMBLY STEPS

STEP 1

Remove the Small and Large Wheels (**A1**, **A2**) located on the bottom of Cart (**A**).



Install Large Wheels (**A2**) onto the back of the Cart (**A**) by pressing and holding Back Side Button (**A3**), located on the back side, while simultaneously inserting the wheel axle. Install the Small Wheels (**A1**) onto the bottom of the Cart (**A**) close to the front edge. Press and hold the Front Back Button (**A4**) while simultaneously inserting the stud of the wheels.

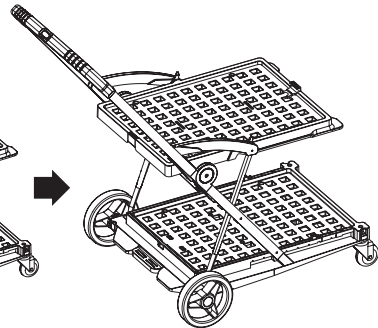
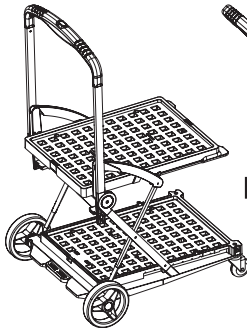
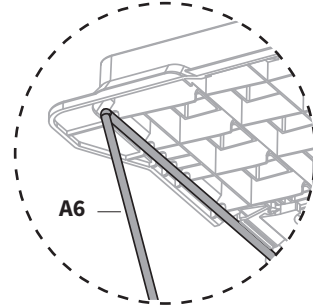
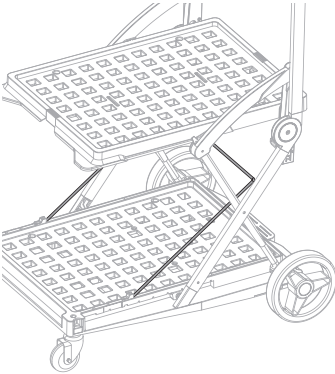
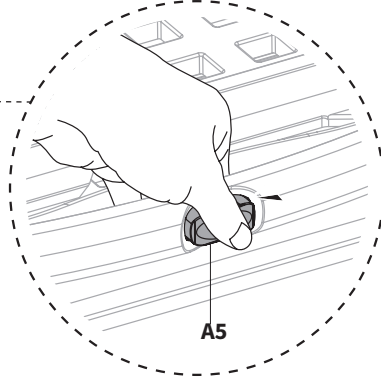
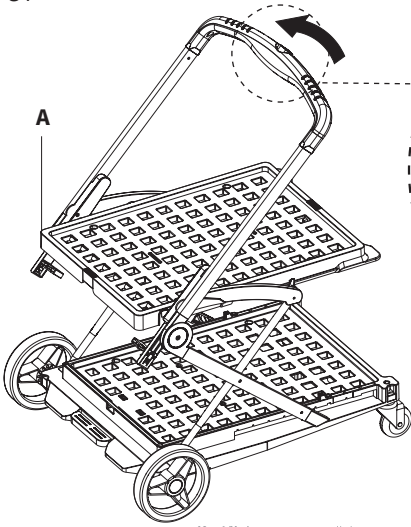


STEP 2

1. Press the Center Handle Button (A5) and fold the Cart (A) up into its usable state. Press the button again to collapse the cart into its storage mode.

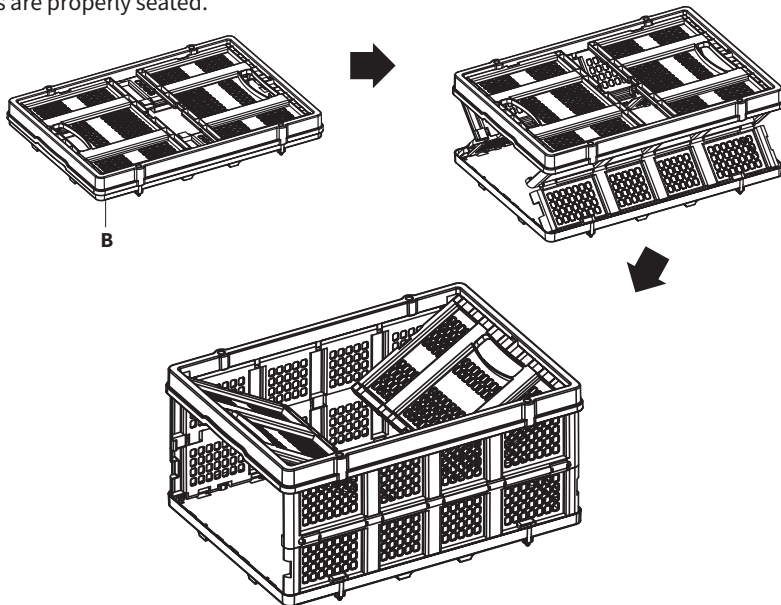
2. Pull Support Bar (A6) up from bottom shelf and lock into place on the underneath side of the upper shelf.

NOTE: There are 4 locking positions that can be used depending on the use case. When opening or collapsing, ensure the handle is firmly pressed while pass through each locking position.

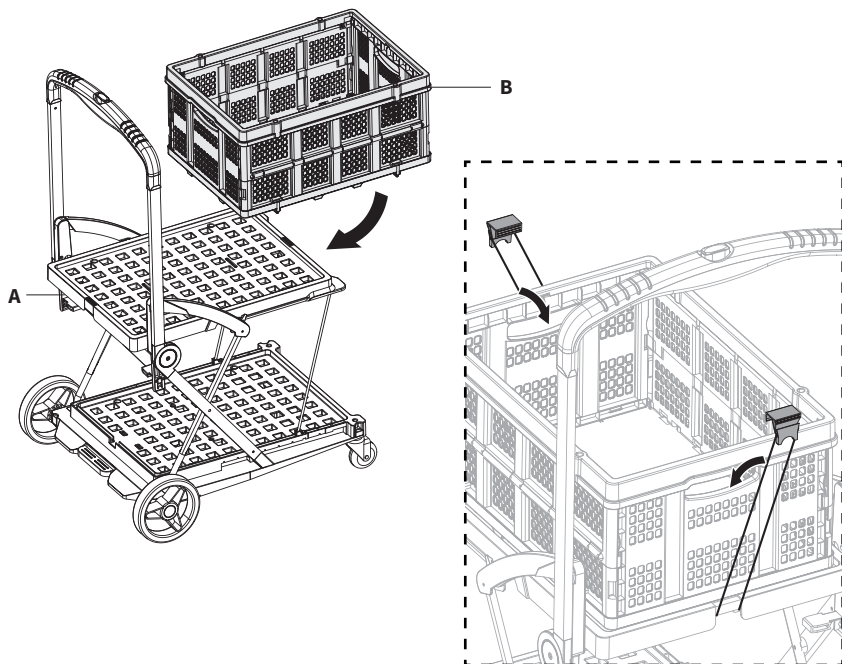


STEP 3

Unfold Basket **(B)** by lifting on the short outer rim, making sure not to grab below the bottom edge as shown. Once the long sides are vertical the short ends will fold down into place. Apply pressure from inside the basket onto all sides to ensure the walls are properly seated.

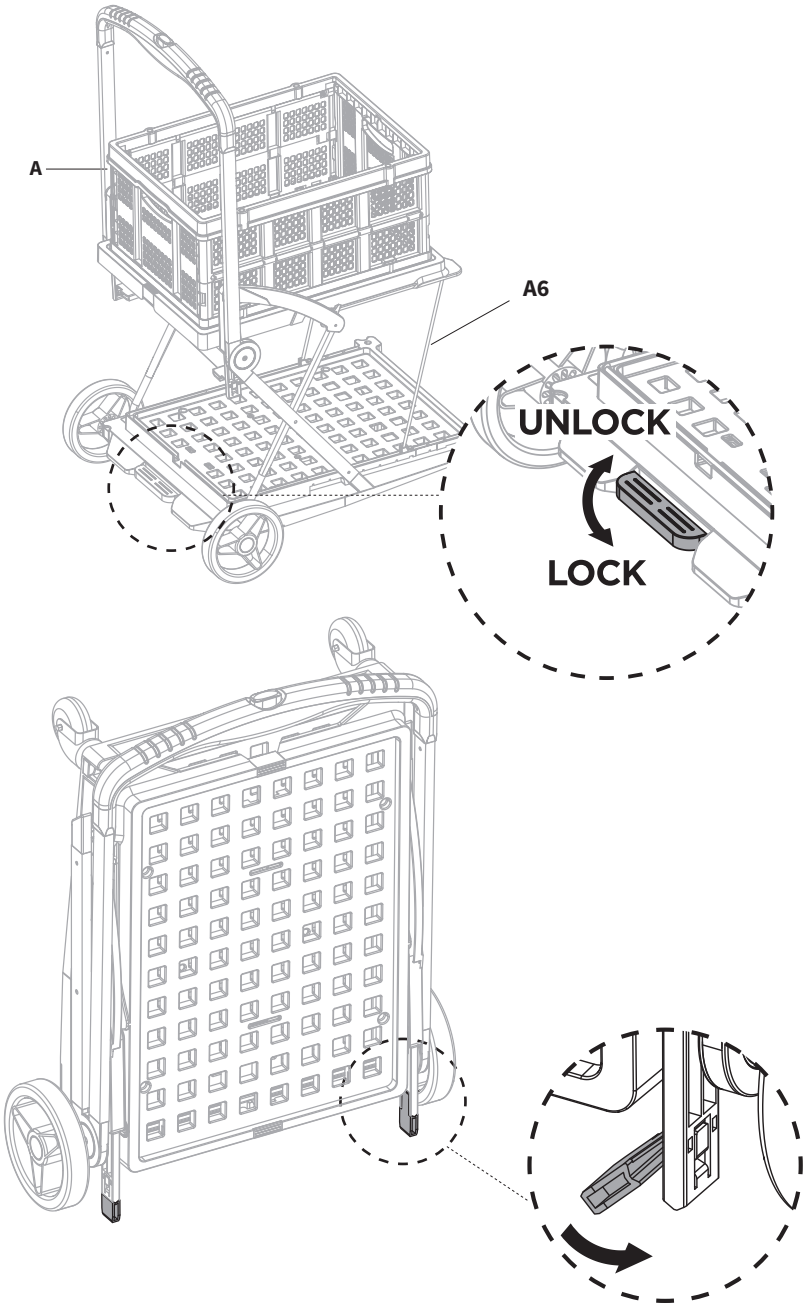


Place the Basket **(B)** on the Cart **(A)**. Wrap the Bungee Strap around the bottom of the upper shelf and latch the hooks onto the Basket handles.



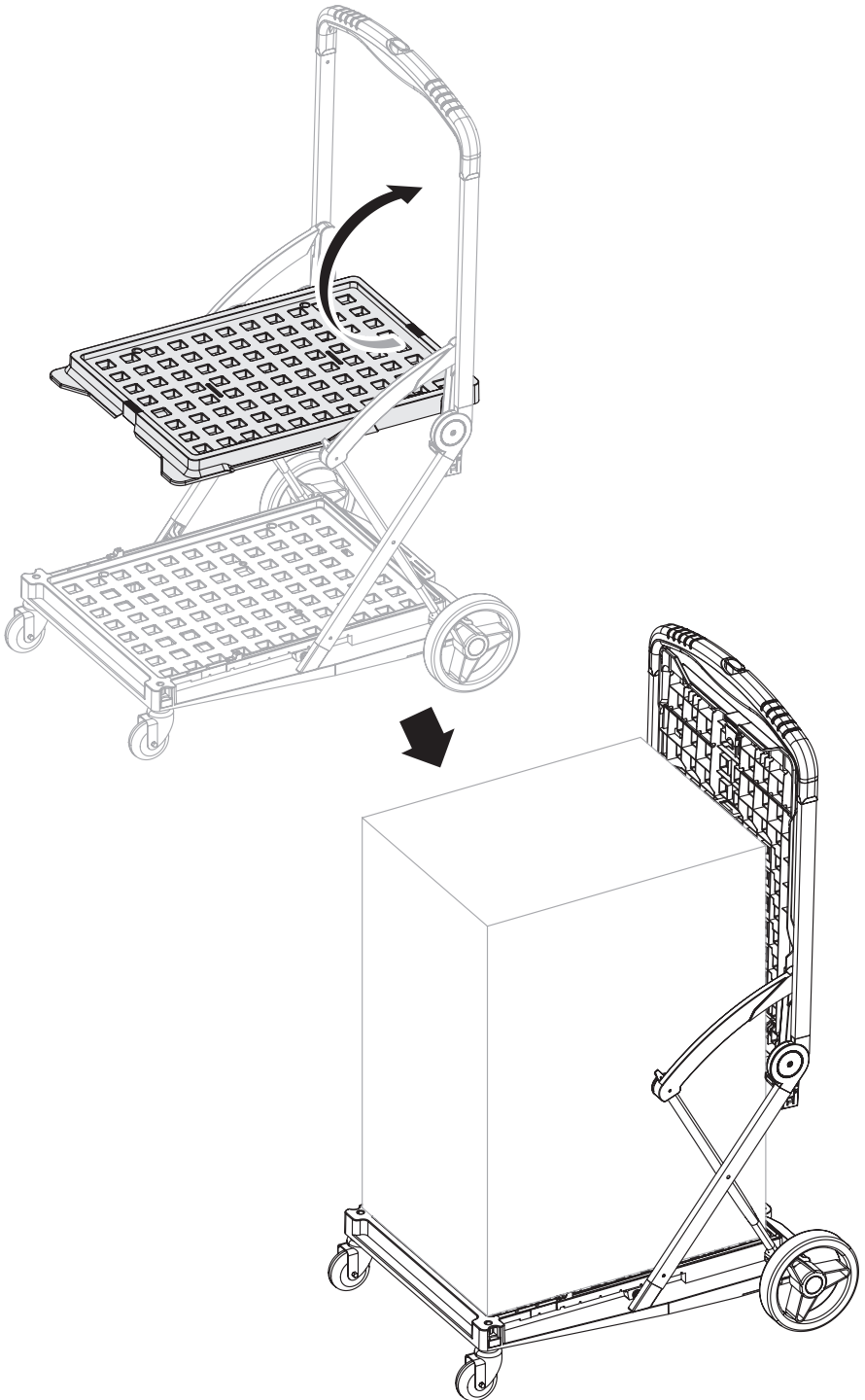
STEP 4

Push the Support Bar Press (**A6**) down pull so that it lays flat on the bottom shelf. Then Press or pull the lever on the base of Cart (**A**) with your foot to lock or unlock the wheels. Flip the kickstands down while Cart (**A**) is in its collapsed position to aid in storing the cart vertically.



Additional Use

Adjust the handle to be in the vertical position and fold the upper shelf up towards the handle.





Open **Monday - Friday 7:00am - 7:00pm** CST,
our dedicated support team can offer immediate assistance with rapid response times. If any
parts are received damaged or defective, please contact us. We are happy to replace parts to
ensure you have a fully functioning product.



help@lifefinds.store



309-278-5303

FOR MORE LIFE FINDS PRODUCTS, CHECK OUT OUR WEBSITE AT: www.life-finds.com