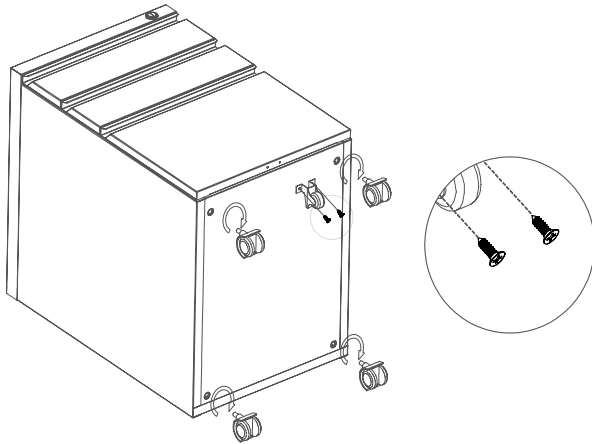




File Cabinet



PACKAGE CONTENTS



A (x2)
M5x12



B (x4)
Caster



C (x1)
Support Wheel

TOOLS NEEDED



Screw Casters (B) into bottom of Cabinet. Assemble Support Wheel (C) to bottom of drawer using M5x12 Screws (A).

Note: When locked, all three drawers will be held closed for security.

SKU: FILE-MB01B

Love your new VIVO setup and want to share?
Tag us in your photo! @vivo_us



Scan the QR code with your mobile device
or follow the link for helpful videos and
specifications related to this product.

<https://vivo-us.com/products/file-mb01b>



WARNING!

If you do not understand these directions, or if you have any doubts about the safety of the installation, please call a qualified technician. Check carefully to make sure there are no missing or defective parts. Improper installation may cause damage or serious injury. Do not use this product for any purpose that is not explicitly specified in this manual and do not exceed weight capacity. We cannot be liable for damage or injury caused by improper mounting, incorrect assembly, or inappropriate use.

If any parts are received damaged or defective, please contact us. We are happy to replace parts to ensure you have a fully functioning product.



help@vivo-us.com



www.vivo-us.com



1-800-371-5654

For more VIVO products, check out our website at:
www.vivo-us.com.