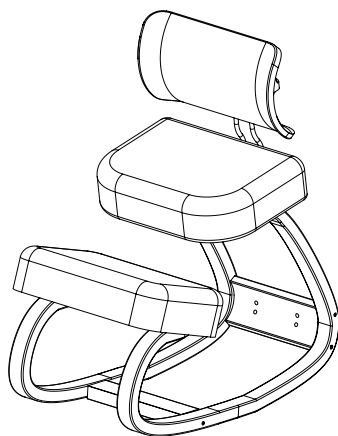


DRAGONN

Black Wooden Rocking Kneeling Chair with Back Support Instruction Manual



SKU: DN-CH-K05RB



Scan the QR code with your mobile device or follow the link for helpful videos and specifications related to this product.

<https://vivo-us.com/collections/chairs/products/dn-ch-k05rb>

GET IN TOUCH | Monday-Friday from 7:00am-7:00pm CST



help@idragonn.com



www.idragonn.com
Chat live with an agent!



309-278-5303

⚠ WARNING!

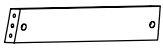
If you do not understand these directions, or if you have any doubts about the safety of the installation, please call a qualified technician. Check carefully to make sure there are no missing or defective parts. Improper installation may cause damage or serious injury. Use this product on a stable, level surface. Do not use this product for any purpose that is not explicitly specified in this manual. Do not exceed weight capacity. Do not stand on this product. Do not place fingers under rockers. We cannot be liable for damage or injury caused by improper mounting, incorrect assembly, or inappropriate use.

⚠ WARNING: CHOKING HAZARD

SMALL PARTS - NOT FOR CHILDREN UNDER 3 YEARS. ADULT SUPERVISION IS REQUIRED.

⚠ WARNING: THIS PRODUCT CAN RESTRICT CIRCULATION TO LEGS WITH PROLONGED USE.

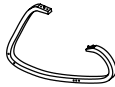
PACKAGE CONTENTS



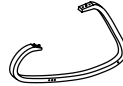
A (x1)
Front Frame
Support



B (x1)
Rear Frame
Support



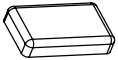
C (x1)
Left Leg



D (x1)
Right Leg



E (x1)
Seat Pad



F (x1)
Knee Pad



G (x1)
Back Rest



H (x1)
Back Rest
Support



I (x2)
Safety Wedge



J (x1)
Back Rest
Hinge



K (x1)
Hinge Cover



L (x2)
Felt Pad



S-A (x6)
M6x80mm Screw



S-B (x4)
M6x50mm Screw



S-C (x10)
Barrel Nut



S-D (x4)
Wood Dowel Pin



S-E (x5)
M6x20mm Screw



S-F (x6)
M6x25mm Screw



T-A (x1)
4mm Allen Wrench



T-B (x1)
5mm Allen Wrench

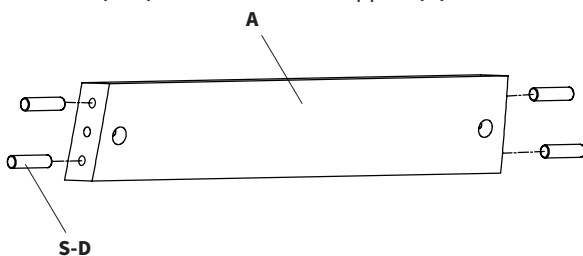
DO NOT EXCEED WEIGHT CAPACITY.
Failure to do so may result in serious injury.



ASSEMBLY STEPS

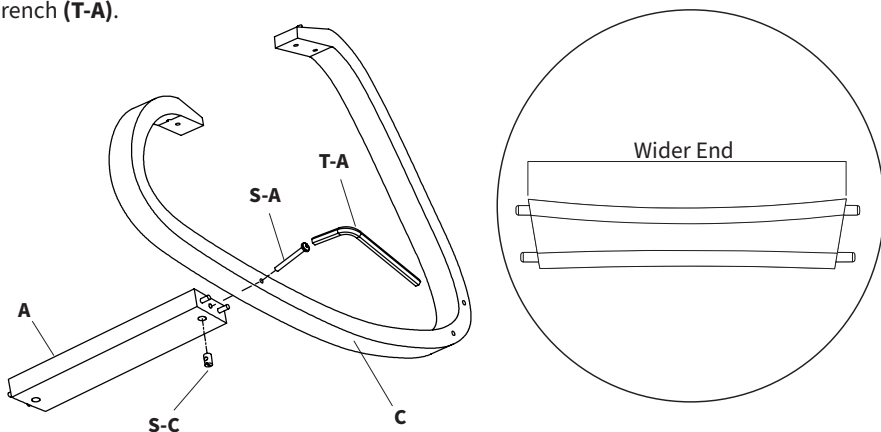
STEP 1

Insert Wood Dowel Pins (**S-D**) into Front Frame Support (**A**).



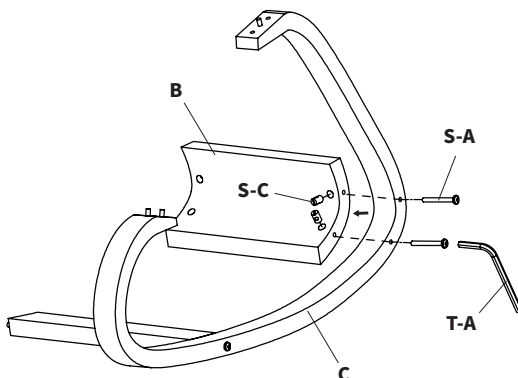
STEP 2

Insert Barrel Nut (**S-C**) into the hole underneath Front Frame Support (**A**). Mount Front Frame Support (**A**) to Left Leg (**C**) with M6x80mm Screw (**S-A**), making sure the wider end of Front Frame Support (**A**) is facing forward. Tighten M6x80mm Screw (**S-C**) with 4mm Allen Wrench (**T-A**).



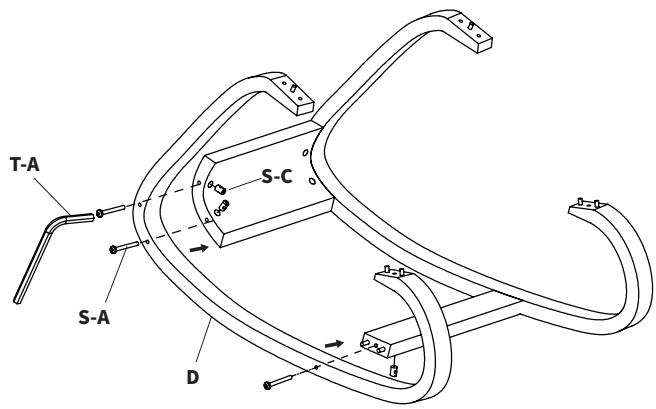
STEP 3

Insert Barrel Nuts (**S-C**) into Rear Frame Support (**B**). Assemble Rear Frame Support (**B**) to Left Leg (**C**) using M6x80mm Screws (**S-A**) and 4mm Allen Wrench (**T-A**), making sure the wider end of Rear Frame Support (**B**) is facing down.



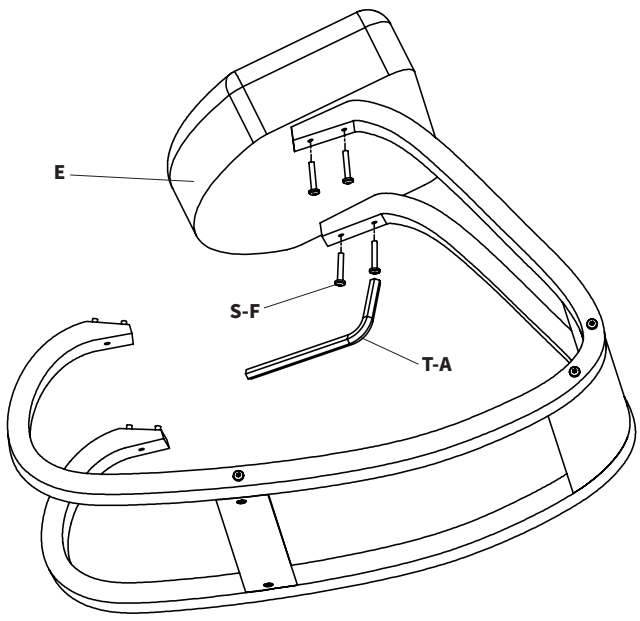
STEP 4

Secure Right Leg (**D**) to the chair assembly using Barrel Nuts (**S-C**) with M6x80mm Screws (**S-A**) and 4mm Allen Wrench (**T-A**).



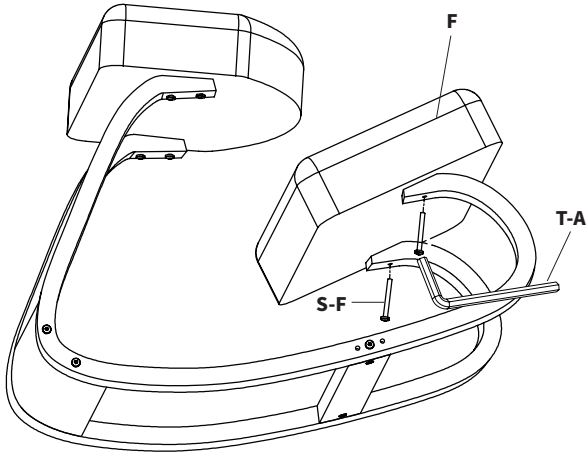
STEP 5

Mount Seat Pad (**E**) with the rounded end facing forward to the assembled frame using M6x25mm Screws (**S-F**). Tighten screws with 4mm Allen Wrench (**T-A**).



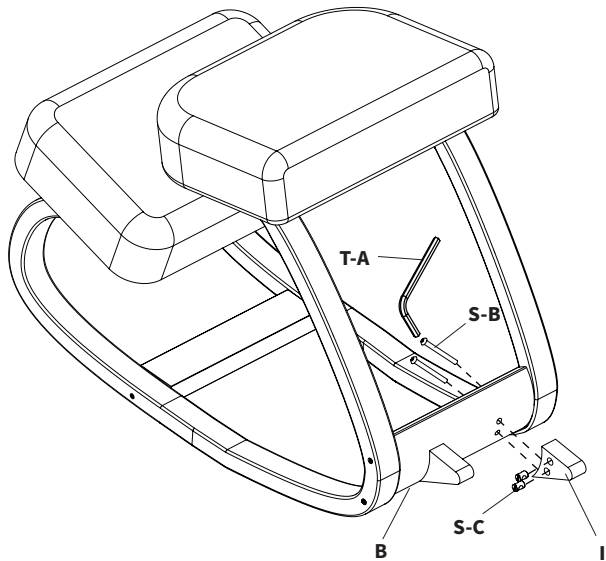
STEP 6

Assemble Knee Pad (**F**) to the chair assembly using M6x25mm Screws (**S-F**) and 4mm Allen Wrench (**T-A**).



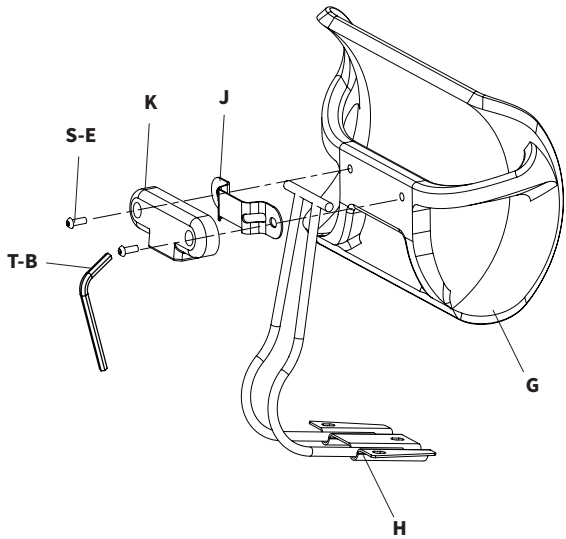
STEP 7

Insert Barrel Nuts (**S-C**) into Safety Wedges (**I**). Secure Safety Wedges (**I**) to Rear Frame Support (**B**) using M6x50mm Screws (**S-B**) and 4mm Allen Wrench (**T-A**).



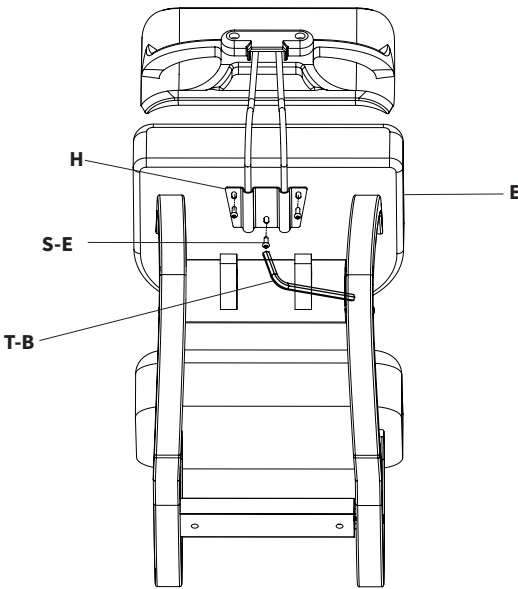
STEP 8

Insert end of Back Rest Support (**H**) into slots in Back Rest Hinge (**J**), then place Hinge Cover (**K**) over Back Rest Hinge (**J**). Secure Back Rest Support (**H**) with Back Rest Hinge (**J**) to Back Rest (**G**) using M6x20 Screws (**S-E**). Tighten screws with 5mm Allen Wrench (**T-B**).



STEP 9

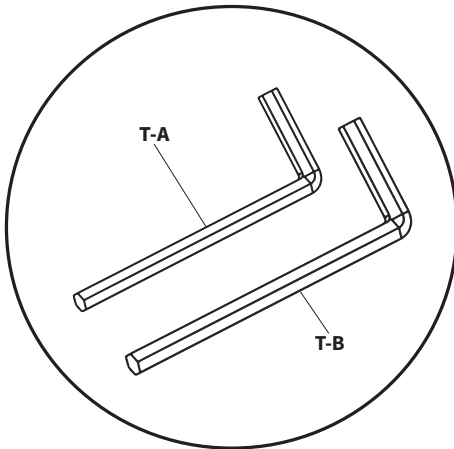
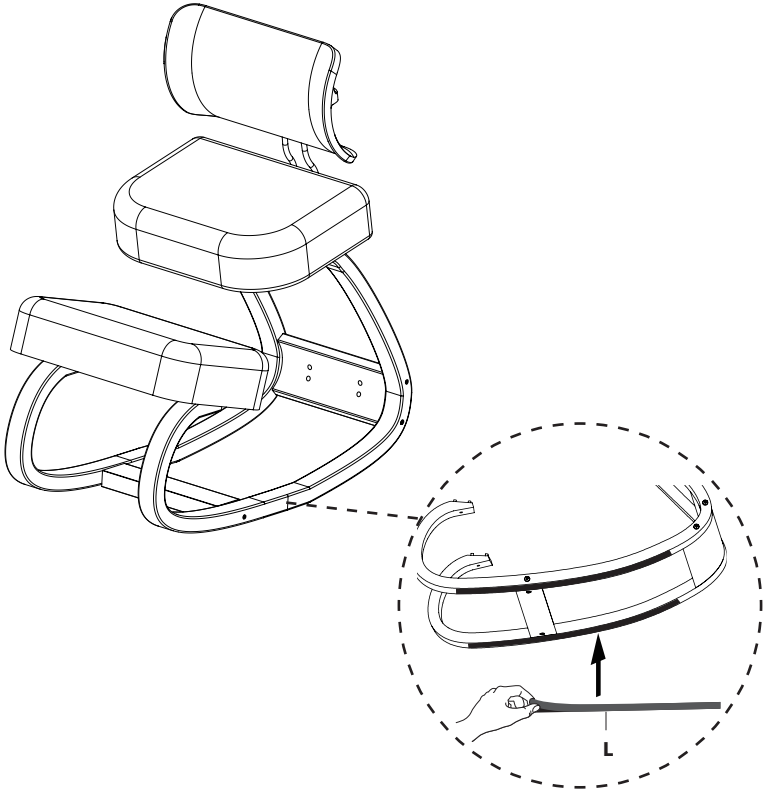
Assemble Back Rest Support (**H**) to Seat Pad (**E**) using M6x20mm Screws (**S-E**) and 5mm Allen Wrench (**T-B**).



STEP 10

Remove protective film from Felt Pad (**L**) and apply to the underside of the assembled chair.

NOTE: The wood fibers may compress over time as the chair is used, causing the screws to loosen. 4mm Allen Wrench (**T-A**) and 5mm Allen Wrench (**T-B**) should be kept available to periodically re-tighten the screws.





Love your new Dragonn setup and want to share?

Tag us in your photo! **@dragonnbrands**

LAST UPDATED: 11/15/2022

REV1.1



Open **Monday - Friday 7:00am - 7:00pm** CST,

our dedicated support team can offer immediate assistance with rapid response times. If any parts are received damaged or defective, please contact us. We are happy to replace parts to ensure you have a fully functioning product.



help@idragonn.com



www.idragonn.com

Chat live with an agent!



309-278-5303

FOR MORE DRAGONN PRODUCTS, CHECK OUT OUR WEBSITE AT: www.idragonn.com