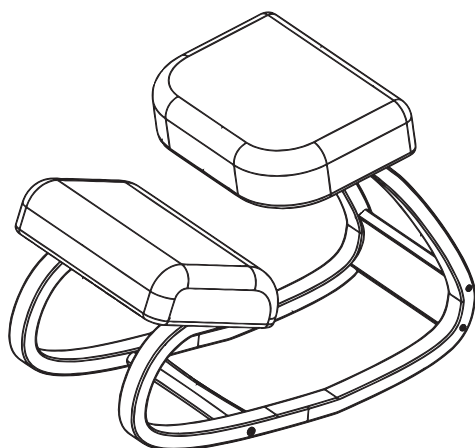


DRAGONN

Black Wooden Rocking Kneeling Chair Instruction Manual



SKU: DN-CH-K04RB



Scan the QR code with your mobile device or follow the link for helpful videos and specifications related to this product.

<https://vivo-us.com/collections/chairs/products/dn-ch-k04rb>

GET IN TOUCH | Monday-Friday from 7:00am-7:00pm CST



help@idragonn.com



www.idragonn.com

Chat live with an agent!



309-278-5303

WARNING!

If you do not understand these directions, or if you have any doubts about the safety of the installation, please call a qualified technician. Check carefully to make sure there are no missing or defective parts. Improper installation may cause damage or serious injury. Use this product on a stable, level surface. Do not use this product for any purpose that is not explicitly specified in this manual. Do not exceed weight capacity. Do not stand on this product. Do not place fingers under rockers. We cannot be liable for damage or injury caused by improper mounting, incorrect assembly, or inappropriate use.

WARNING: CHOKING HAZARD

SMALL PARTS - NOT FOR CHILDREN UNDER 3 YEARS. ADULT SUPERVISION IS REQUIRED.

WARNING: THIS PRODUCT CAN RESTRICT CIRCULATION TO LEGS WITH PROLONGED USE.

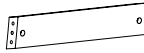
PACKAGE CONTENTS



A (x1)
Right Leg



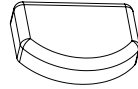
B (x1)
Left Leg



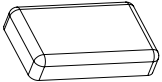
C (x1)
Front Frame Support



D (x1)
Rear Frame Support



E (x1)
Seat Pad



F (x1)
Knee Pad



S-A (x4)
Wood Dowel Pin



S-B (x6)
Barrel Nut



S-C (x6)
M6x80mm



S-D (x6)
M6x25mm Screw



T-A (x1)
4mm Allen Wrench

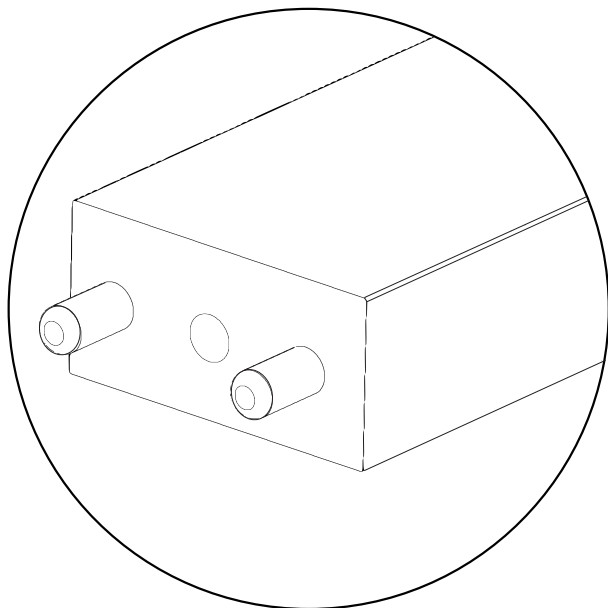
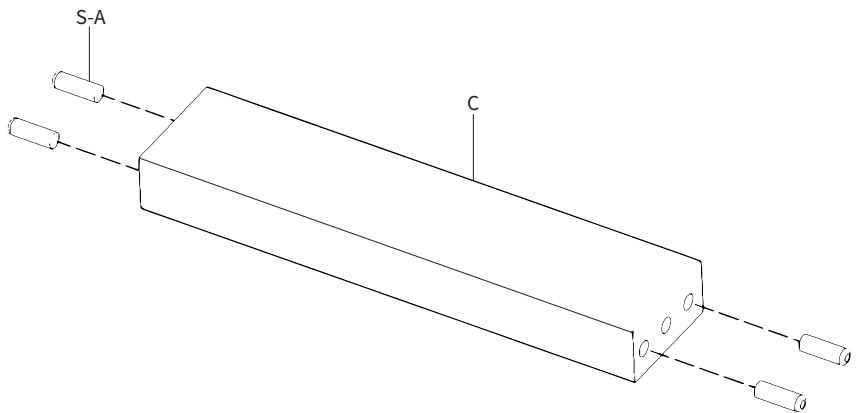
DO NOT EXCEED WEIGHT CAPACITY.
Failure to do so may result in serious injury.



ASSEMBLY STEPS

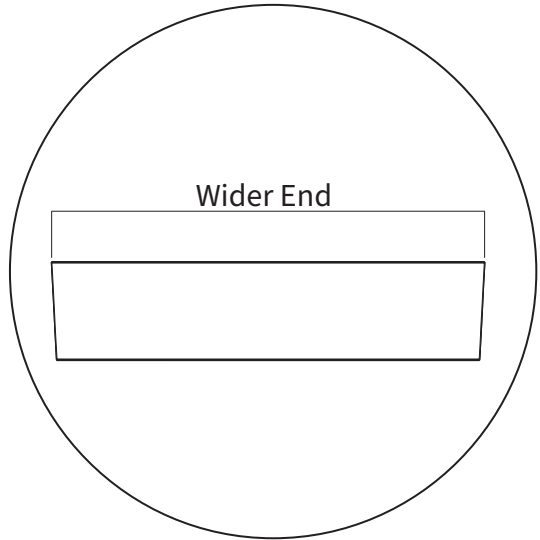
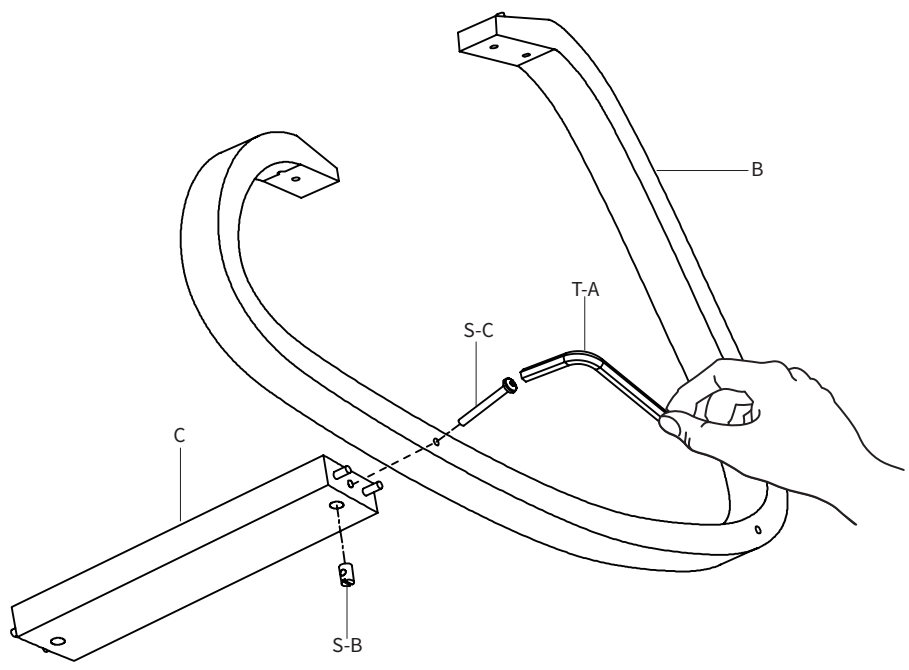
STEP 1

Insert Wood Dowel Pins (**S-A**) into Front Frame Support (**C**).



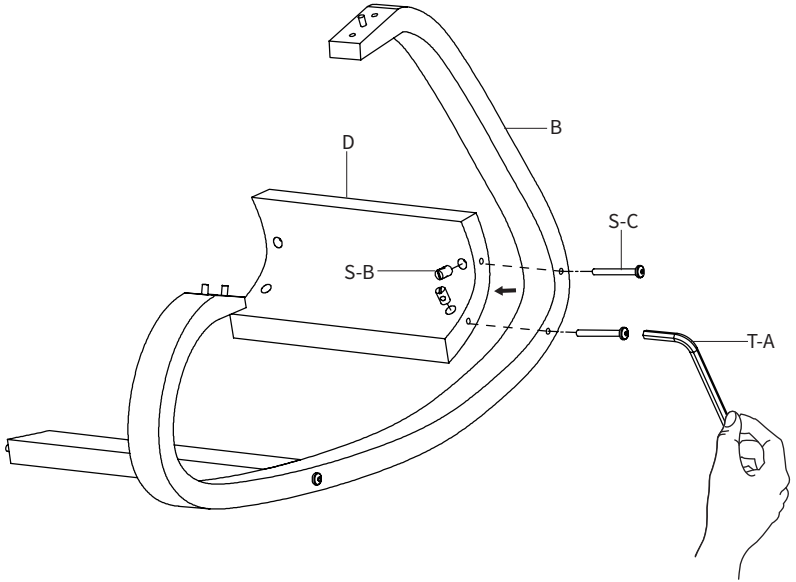
STEP 2

Insert Barrel Nut (**S-B**) into the hole underneath Front Frame Support (**C**). Mount Front Frame Support (**C**) to Left Leg (**B**) with M6x80mm Screw (**S-C**), making sure the wider end of Front Frame Support (**C**) is facing forward. Tighten M6x80mm Screw (**S-C**) with 4mm Allen Wrench (**T-A**).



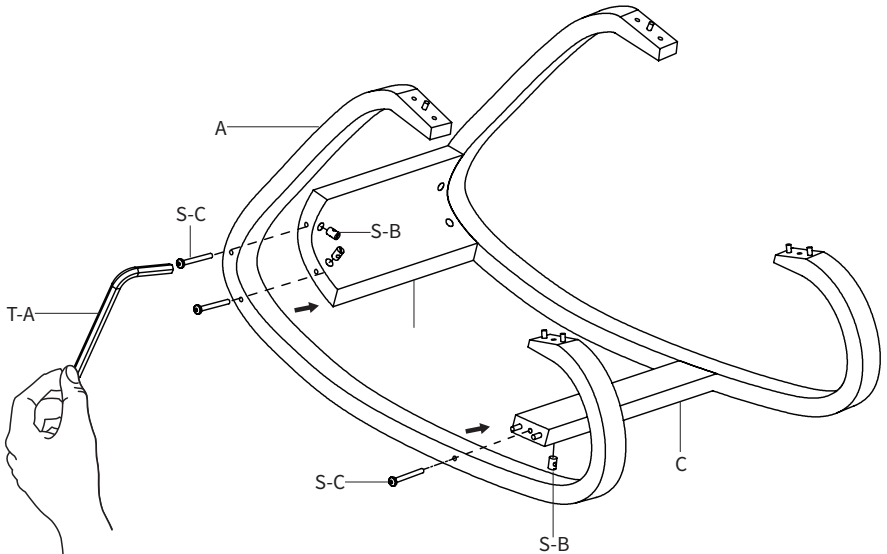
STEP 3

Mount Rear Frame Support (**D**) to Left Leg (**B**) with M6x80mm Screws (**S-C**) and Barrel Nuts (**S-B**), making sure the wider end of Rear Frame Support (**D**) is facing down. Tighten M6x80mm Screws (**S-C**) with 4mm Allen Wrench (**T-A**).



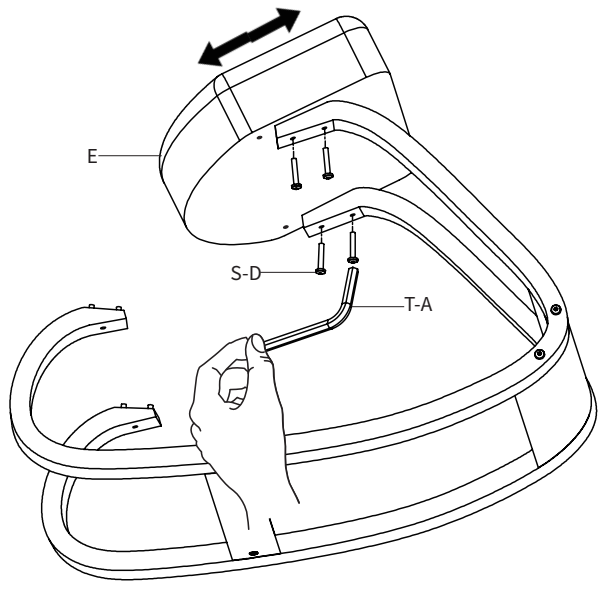
STEP 4

Attach Right Leg (**A**) to chair assembly. Insert Barrel Nut (**S-B**) and M6x80mm Screw (**S-C**) into Front Frame Support (**C**) and Rear Frame Support (**D**). Tighten all screws with the 4mm Allen Wrench (**T-A**).



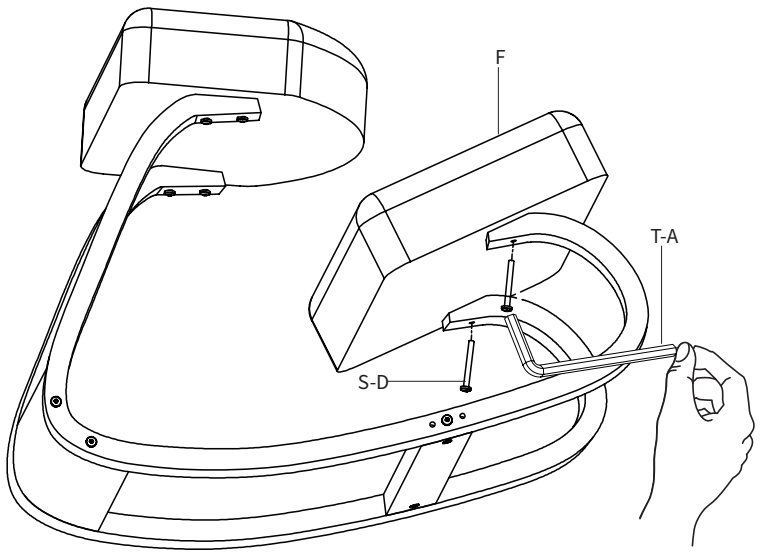
STEP 5

Mount Seat Pad **(E)** with the rounded end facing forward to the assembled frame using M6x25mm Screws **(S-D)** in one of two mounting positions, depending on user preference. Note, if you are taller, you will want to choose the set of holes closest to the front of the chair. Tighten screws with 4mm Allen Wrench **(T-A)**.



STEP 6

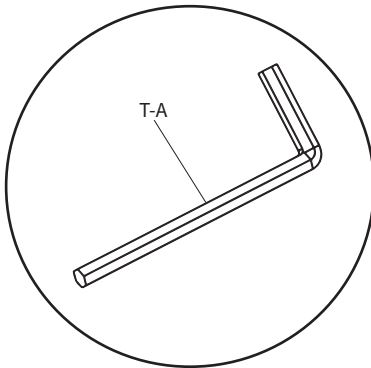
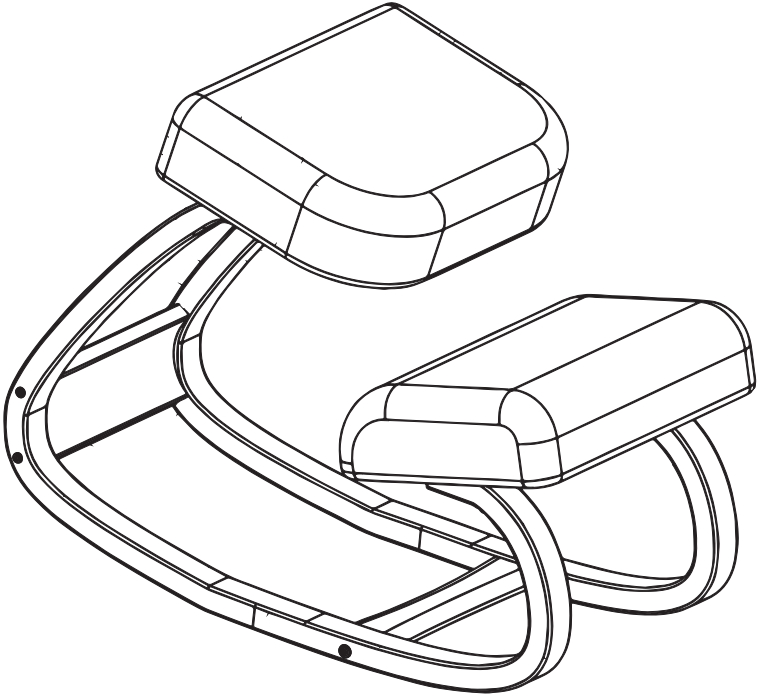
Secure Knee Pad **(F)** using M6x25mm Screws **(S-D)**. Tighten screws with 4mm Allen Wrench **(T-A)**.



STEP 7

The chair is now ready for use.

NOTE: The wood fibers may compress over time as the chair is used, causing the screws to loosen. 4mm Allen Wrench (**T-A**) should be kept available to periodically re-tighten the screws.





Love your new Dragonn setup and want to share?

Tag us in your photo! [@dragonnbrands](https://www.instagram.com/dragonnbrands)

LAST UPDATED: 01/20/2022

REV1



Open **Monday - Friday 7:00am - 7:00pm** CST,

our dedicated support team can offer immediate assistance with rapid response times. If any parts are received damaged or defective, please contact us. We are happy to replace parts to ensure you have a fully functioning product.



help@idragonn.com



www.idragonn.com

Chat live with an agent!



309-278-5303

FOR MORE DRAGONN PRODUCTS, CHECK OUT OUR WEBSITE AT: www.idragonn.com