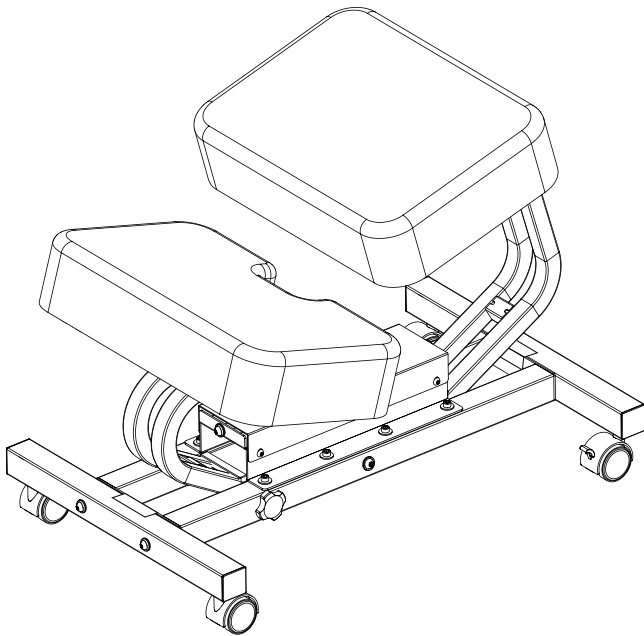


DRAGONN

Black Rocking Kneeling Chair with Wheels Instruction Manual



SKU: DN-CH-03RR



Scan the QR code with your mobile device or follow the link for helpful videos and specifications related to this product.

<https://vivo-us.com/collections/chairs/products/dn-ch-03rr>

GET IN TOUCH | Monday-Friday from 7:00am-7:00pm CST



help@idragonn.com



www.idragonn.com

Chat live with an agent!



309-278-5303

⚠ WARNING!

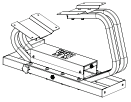
If you do not understand these directions, or if you have any doubts about the safety of the installation, please call a qualified technician. Check carefully to make sure there are no missing or defective parts. Improper installation may cause damage or serious injury. Use this product on a stable, level surface. Do not use this product for any purpose that is not explicitly specified in this manual. Do not exceed weight capacity. Do not stand on this product. Do not place fingers under rockers. We cannot be liable for damage or injury caused by improper mounting, incorrect assembly, or inappropriate use.

⚠ WARNING: CHOKING HAZARD

SMALL PARTS - NOT FOR CHILDREN UNDER 3 YEARS. ADULT SUPERVISION IS REQUIRED.

⚠ WARNING: THIS PRODUCT CAN RESTRICT CIRCULATION TO LEGS WITH PROLONGED USE.

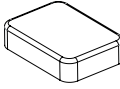
PACKAGE CONTENTS



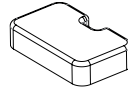
A (x1)
Chair Frame



B (x2)
Foot



C (x1)
Seat Pad



D (x1)
Knee Pad



E (x2)
Caster



F (x2)
Locking Caster



G (x2)
Anti-Collision Pad



S-A (x8)
M6x20mm Screw



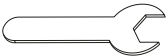
S-B (x4)
M8x50mm Screw



S-C (x4)
M8 Washer



T-A (x1)
5mm Allen Wrench



T-B (x1)
M6 Wrench

DO NOT EXCEED WEIGHT CAPACITY.

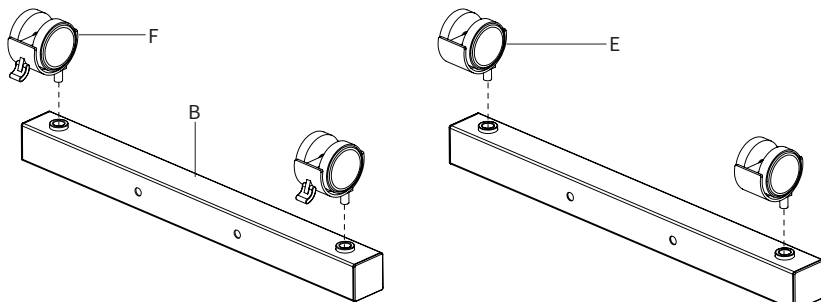
Failure to do so may result in serious injury.



ASSEMBLY STEPS

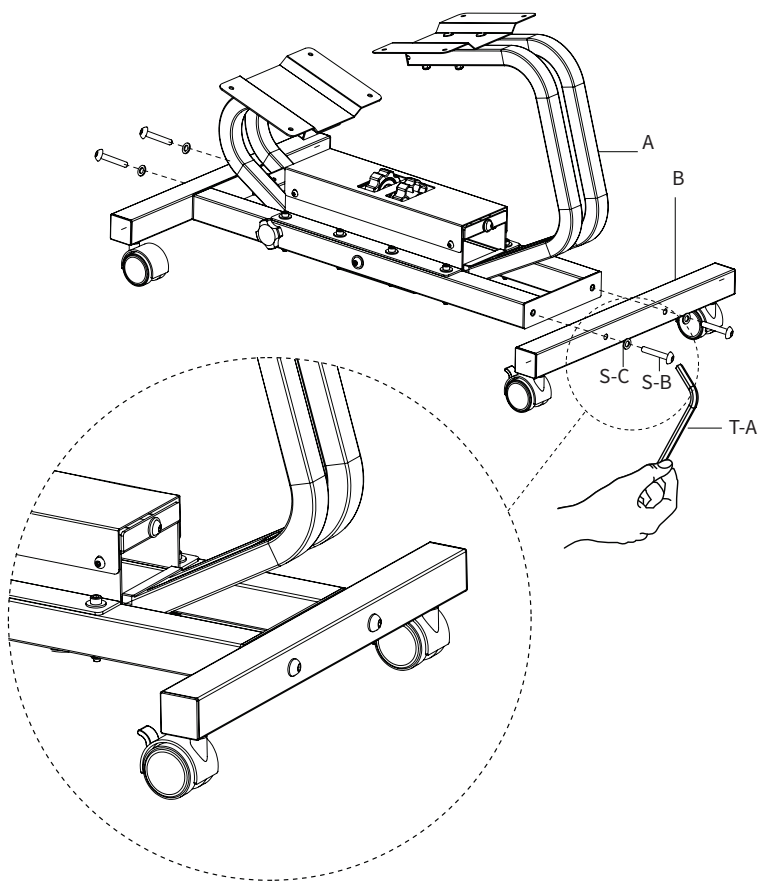
STEP 1

Insert Locking Casters (**F**) and Casters (**E**) into Feet (**B**).



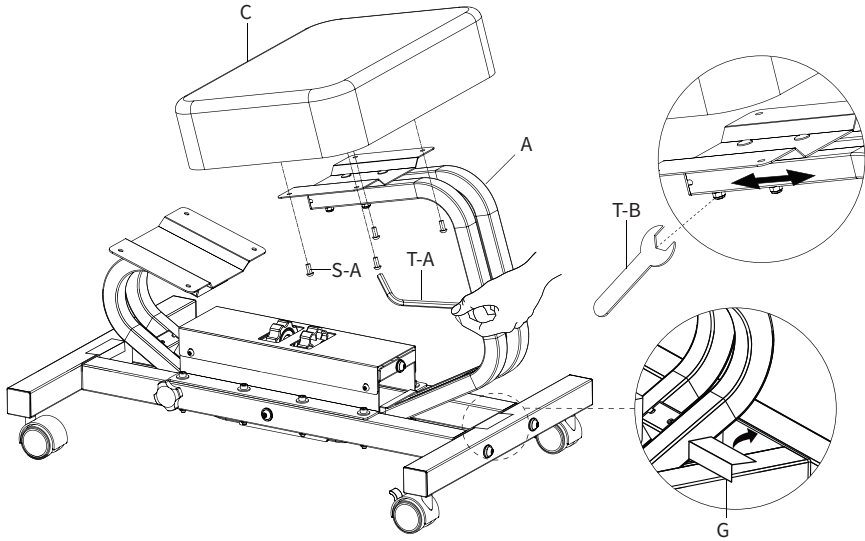
STEP 2

Assemble Feet (**B**) to Chair Frame (**A**) using M8x50mm Screws (**S-B**) and M8 Washers (**S-C**). Tighten using 5mm Allen Wrench (**T-A**).



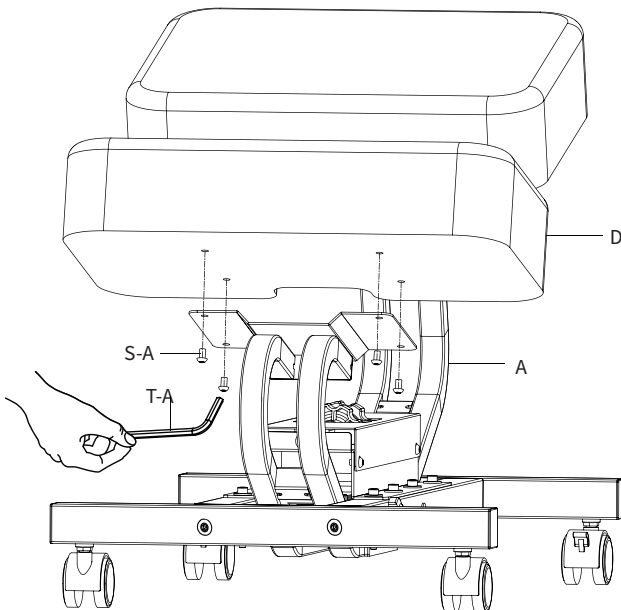
STEP 3

Secure Seat Pad (C) to Chair Frame (A) using M6x20mm Screws (S-A). Tighten using 5mm Allen Wrench (T-A). Adjust the seat position using M6 Wrench (T-B). Install Anti-Collision Pads (G) to Chair Frame (A).



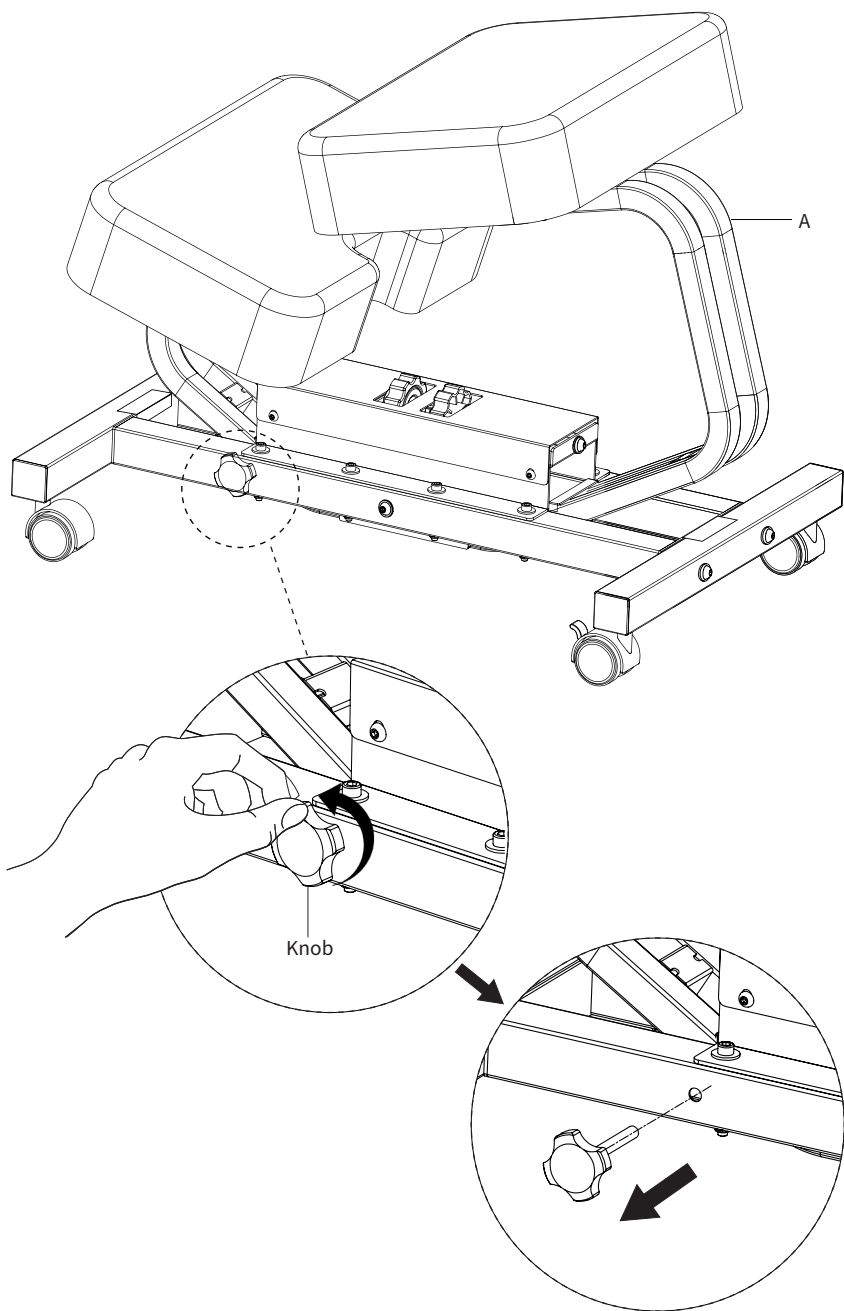
STEP 4

Assemble Knee Pad (D) to Chair Frame (A) using M6x20mm Screws (S-A) and 5mm Allen Wrench (T-A).



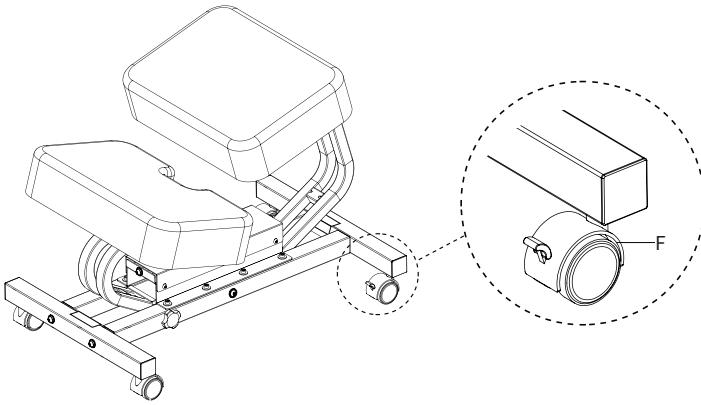
STEP 5

Loosen the knob on the side of Chair Frame (A) and remove it to enable the rocking feature. Reattach the knob to lock chair and disable rocking feature.



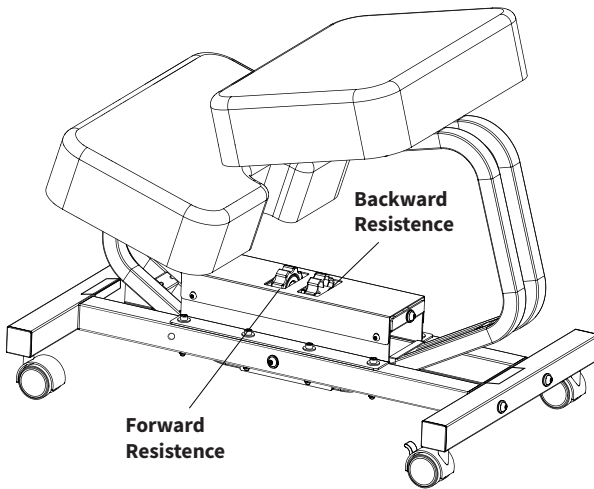
Locking Chair in Place

To lock chair in place, simply press the levers on Locking Casters (F).



Tension Adjustment

Adjustment knobs are provided in the middle of the chair to individually adjust the resistance for forward and backward movement. The knob in the front, labeled "Back", adjusts the backward resistance, and the knob in the back, labeled "Front", adjusts the forward resistance.



Seat Tension Adjustment

Adjust the knob in the front to the left to increase resistance and right to decrease resistance. Lean on the Knee Pad to make adjusting the knob easier.

Knee Tension Adjustment

Adjust the knob in the back to the left to decrease resistance and right to increase resistance. Lean on the Seat Pad to make adjusting the knob easier.

Cleaning

Cushions:

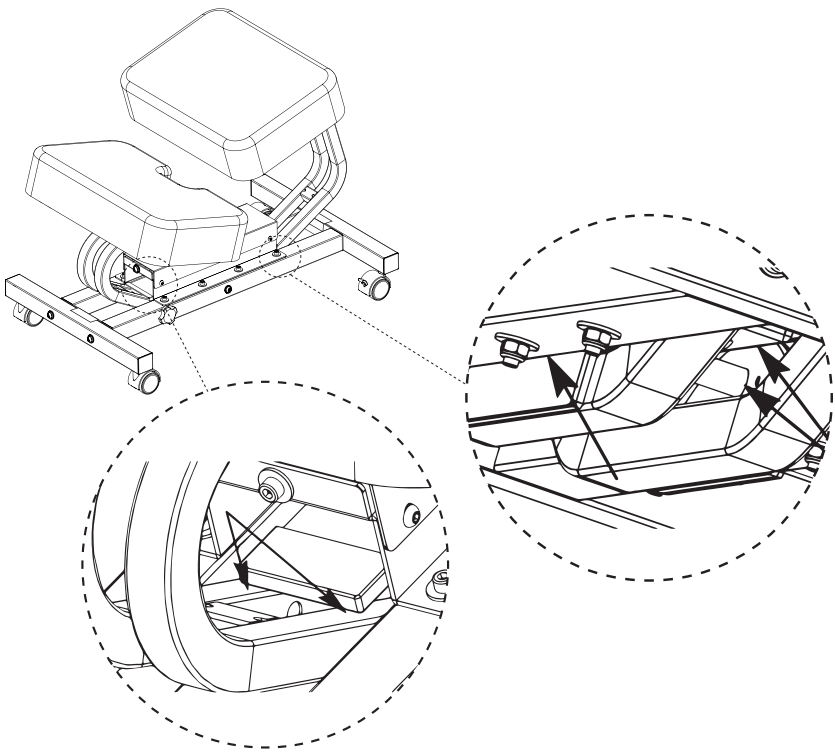
Use warm water with a small amount of laundry detergent and a soft cloth to wipe clean. Dry using a cotton or microfiber cloth.

Frame:

Gently wipe down with a lightly dampened cloth or paper towel.

Lubrication

If your chair becomes noisy or doesn't rock smoothly, add a small amount of oil or white lithium spray grease to the locations indicated in the images below.



After fully rocking back and forth a few times to work the oil or grease into the joints, wipe away any excess with a damp cloth or paper towel.



Love your new Dragonn setup and want to share?

Tag us in your photo! [@dragonnbrands](https://www.instagram.com/dragonnbrands)

LAST UPDATED: 04/11/2023

REV1



Open **Monday - Friday 7:00am - 7:00pm** CST,

our dedicated support team can offer immediate assistance with rapid response times. If any parts are received damaged or defective, please contact us. We are happy to replace parts to ensure you have a fully functioning product.



help@idragonn.com



www.idragonn.com

Chat live with an agent!



309-278-5303

FOR MORE DRAGONN PRODUCTS, CHECK OUT OUR WEBSITE AT: www.idragonn.com