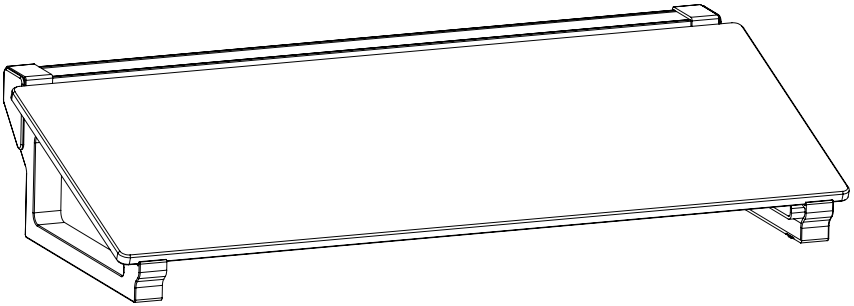




Small Glass Desktop Whiteboard

Instruction Manual



SKU: DESK-WB16D



Scan the QR code with your mobile device or follow the link for helpful videos and specifications related to this product.

<https://vivo-us.com/products/desk-wb16d>

GET IN TOUCH | Monday-Friday from 7:00am-7:00pm CST



help@vivo-us.com



www.vivo-us.com
Chat live with an agent!



309-278-5303

WARNING!

If you do not understand these directions, or if you have any doubts about the safety of the installation, please call a qualified technician. Check carefully to make sure there are no missing or defective parts. Improper installation may cause damage or serious injury. Do not use this product for any purpose that is not explicitly specified in this manual. Do not exceed weight capacity. We cannot be liable for damage or injury caused by improper mounting, incorrect assembly or inappropriate use.

WARNING: CHOKING HAZARD

SMALL PARTS - NOT FOR CHILDREN UNDER 3 YEARS. ADULT SUPERVISION IS REQUIRED.

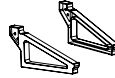
PACKAGE CONTENTS



A (x1)
Glass Whiteboard



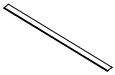
B (x1)
Back Frame
Support



C (x2)
Leg



D (x2)
Plastic Cover



E (x2)
Double Sided
Adhesive
(2 extra pieces)



F (x4)
Rubber Pad



S-A (x4)
M4x12mm Screw

TOOLS NEEDED

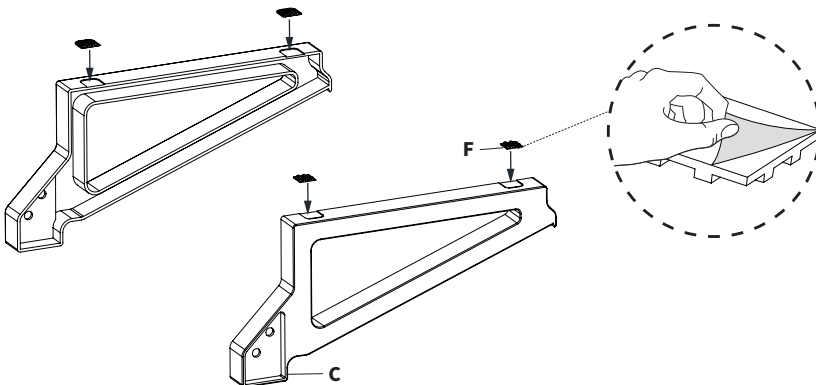


**Phillips
Screwdriver**

Assembly Steps

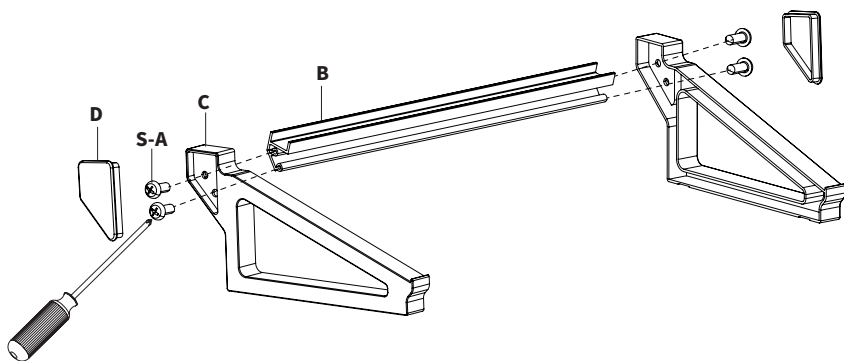
STEP 1

Peel backing off of Rubber Pad (**F**) and adhere to underside of Leg (**C**), as shown below.



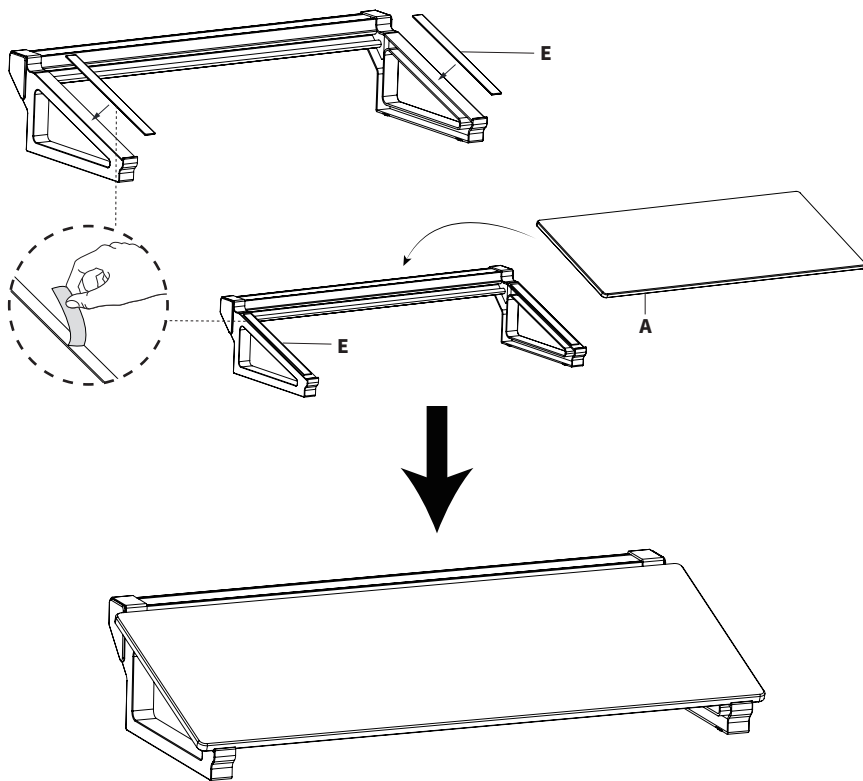
STEP 2

Assemble frame by securing Legs (C) to Back Frame Support (B) using M4x12mm Screws (S-A) and a Phillips screwdriver. Attach Plastic Covers to sides of Legs (C), as shown.



STEP 3

Peel backing off one side of Double Sided Adhesive (E) and place onto frame assembly with exposed side down. Peel remaining backing off Double sided Adhesive (E) and place Glass Whiteboard (A) on newly exposed side to secure to frame.





Open **Monday - Friday 7:00am - 7:00pm** CST,
our dedicated support team can offer immediate assistance with rapid response times. If any parts are received damaged or defective, please contact us. We are happy to replace parts to ensure you have a fully functioning product.



309-278-5303

AVG. RESOLUTION TIME (*within office hrs*): **5M 4S**



www.vivo-us.com
Chat live with an agent!

AVG. RESOLUTION TIME (*within office hrs*): **< 15 M**



help@vivo-us.com

AVG. RESPONSE TIME (*within office hrs*): **1HR 8M**

- 23% within < 15m
- 38% within < 30m
- 61% within < 1hr
- 83% within < 2hr
- 92% within < 3hr