

# Kids' Height Adjustable Desk and Chair

*SKU: DESK-V201B/G/P*

Instruction Manual

---

Assembly Video & Product Info  
<https://vivo-us.com/products/desk-v201b>



# ! CAUTION! !

If you do not understand these directions, or if you have any doubts about the safety of the installation, please contact our product support team at 309-278-5303 or [help@vivo-us.com](mailto:help@vivo-us.com) for further assistance. Check carefully to make sure there are no missing or defective parts. Improper installation may cause damage or serious injury. Do not use this product for any purpose that is not explicitly specified in this manual. Do not exceed weight capacity. We cannot be liable for damage or injury caused by improper mounting, incorrect assembly or inappropriate use.



## WARNING: CHOKING HAZARD

SMALL PARTS - NOT FOR CHILDREN UNDER 3 YEARS. ADULT SUPERVISION IS REQUIRED.



## DO NOT EXCEED WEIGHT CAPACITY

FAILURE TO DO SO MAY RESULT IN SERIOUS INJURY.



## TIPOVER WARNING

**SERIOUS OR FATAL CRUSHING INJURIES CAN OCCUR FROM TIPOVER.  
TO HELP PREVENT TIPOVER:**

- NEVER ALLOW CHILDREN TO CLIMB, STAND, HANG, OR PLAY ON ANY PART OF TV OR TV CART
- USE TIPOVER RESTRAINT OR ANCHOR STAND TO WALL

**USE OF TIPOVER RESTRAINTS MAY ONLY REDUCE, BUT NOT ELIMINATE RISK OF TIPOVER.**



## WARNING: PINCH POINT

DO NOT PLACE HANDS ON OR NEAR SUPPORT BARS. MOVING PARTS CAN CRUSH AND CUT. PINCH POINTS ARE CREATED DURING LIFTING AND LOWERING THE WORK SURFACE. FAILURE TO FOLLOW THESE INSTRUCTIONS MAY RESULT IN SERIOUS PERSONAL INJURY.

---

## We're Here for You

Open **Monday - Friday 7:00am - 7:00pm CST**,

our dedicated support team can offer immediate assistance with rapid response times. If any parts are received damaged or defective, please contact us. We are happy to replace parts to ensure you have a fully functioning product.



Give us a Call:  
**309-278-5303**

AVG. RESOLUTION TIME (*within office hrs*): **5M 4S**



Chat Us:  
**[www.vivo-us.com](http://www.vivo-us.com)**

AVG. RESOLUTION TIME (*within office hrs*): **< 15 M**

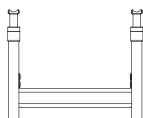


Email Us:  
**[help@vivo-us.com](mailto:help@vivo-us.com)**

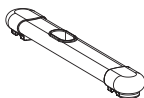
AVG. RESPONSE TIME (*within office hrs*): **1HR 8M**

- 23% within < 15m
- 38% within < 30m
- 61% within < 1hr
- 83% within < 2hr
- 92% within < 3hr

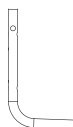
## Package Contents



**A (x1)**  
Chair Leg



**B (x4)**  
Foot



**C (x1)**  
Right Support



**D (x1)**  
Left Support



**E (x1)**  
Straight Support



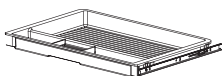
**F (x1)**  
Seat Bottom



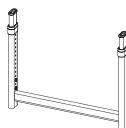
**G (x1)**  
Seat Back



**H (x1)**  
Desktop



**I (x1)**  
Drawer



**J (x1)**  
Desk Leg



**K (x1)**  
Right Rail



**L (x1)**  
Left Rail



**M (x1)**  
Hook

---

## Included Hardware & Tools



**S-A (x8)**  
M6 Lock Washer



**S-B (x14)**  
M6x20mm Screw



**S-C (x12)**  
Plastic Washer



**S-D (x4)**  
ST4.8x25mm Screw



**S-E (x4)**  
M6x12mm Screw



**S-F (x4)**  
M6x40mm Screw



**T-A (x1)**  
4mm Allen Wrench

---

## Tools Needed:



**Phillips  
Screwdriver**

## Weight Capacity:



**Desk**

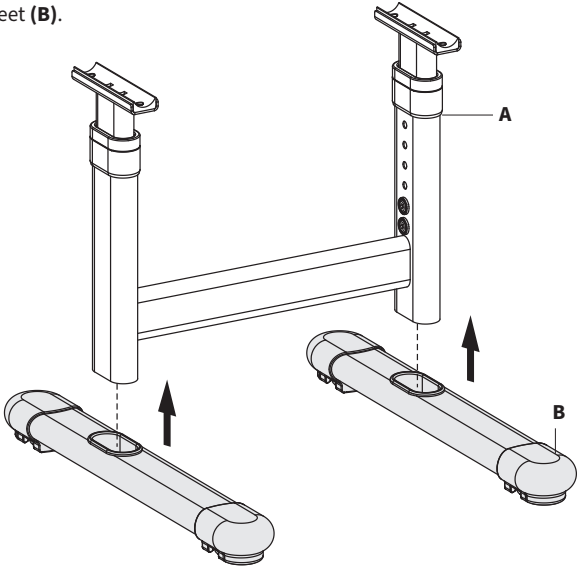


**Chair**



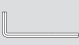
# CHAIR ASSEMBLY STEPS

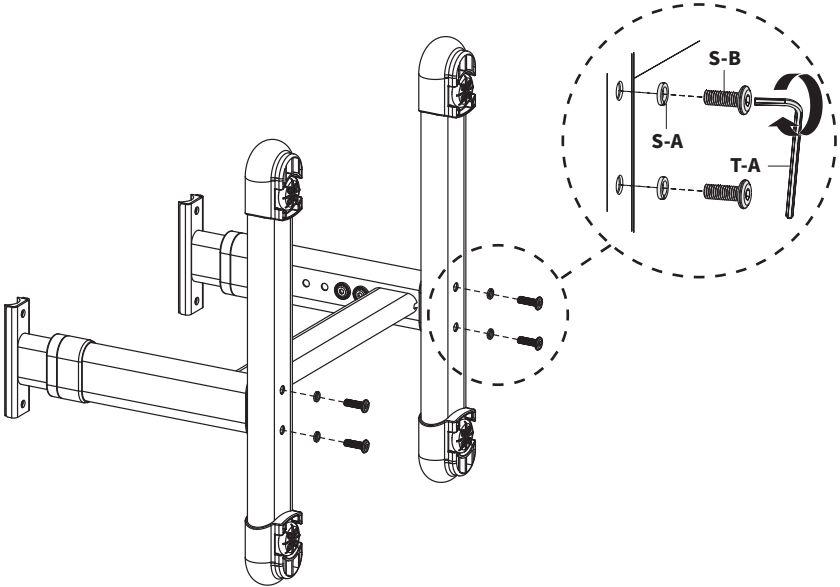
## STEP 1

Place Chair Leg (A) into Feet (B).



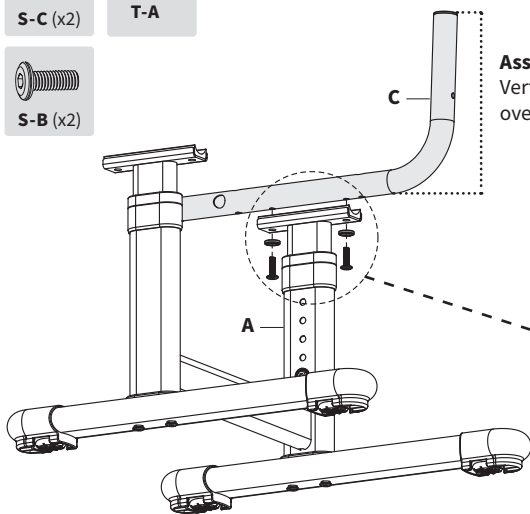
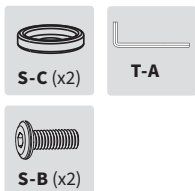
Secure Feet to Chair Leg using M6x20mm Screws (S-B), Metal Lock Washers (S-A), and 4mm Allen Wrench (T-A).

-  S-A (x4)
-  S-B (x4)
-  T-A



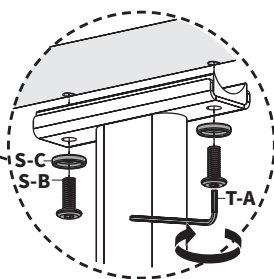
## STEP 2

Secure the Right Support (C) up to the right side of Chair Leg (A) using M6x20mm Screws (S-B), Plastic Washers (S-C), and 4mm Allen Wrench (T-A).

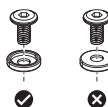
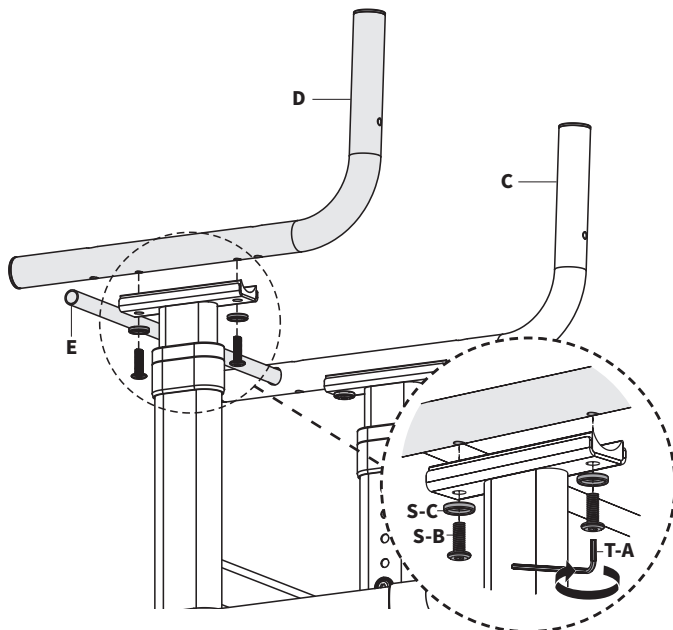


### Assembly Note:

Vertical Section of Right Support should overhang the long portion of Foot.



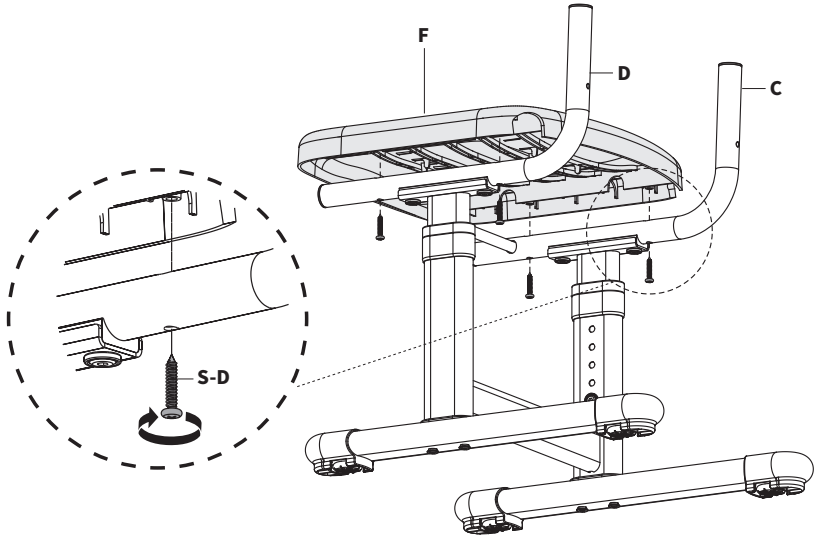
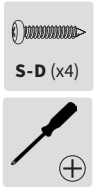
Slide Straight Support (E) into Left and Right Support (C,D). Then secure Left Support Tube to Chair Leg (A) using M6x20mm Screws (S-B), Plastic Washers (S-C), and 4mm Allen Wrench (T-A).



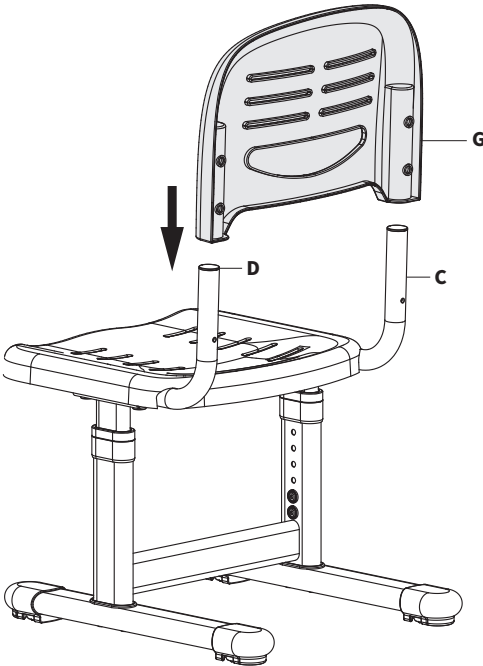
Washers should be installed with flat end facing down.

### STEP 3

Place Seat Bottom (**F**) over Right and Left Supports (**C,D**). Secure using ST4.8x25mm Screws (**S-D**) and a Phillips screwdriver.

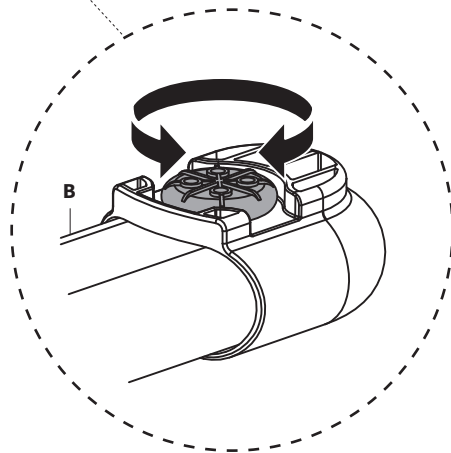
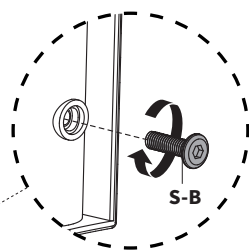
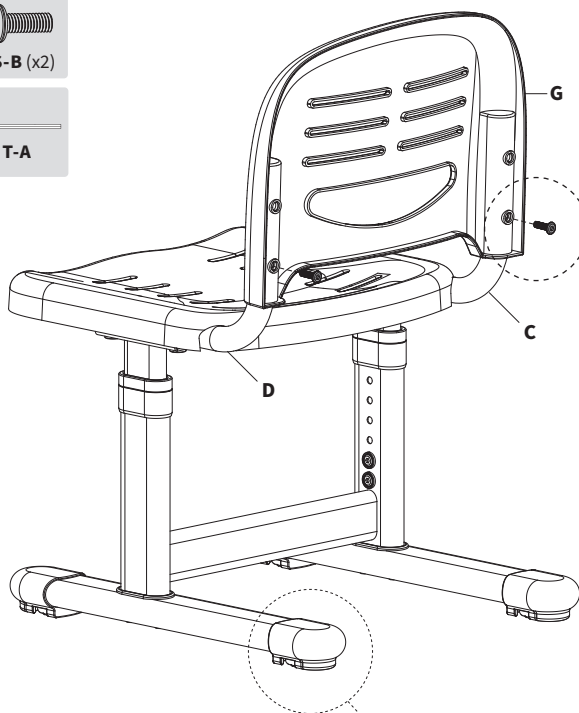
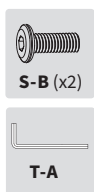


Slide the Seat Back (**G**) onto the Right and Left Supports (**C,D**).



## STEP 4

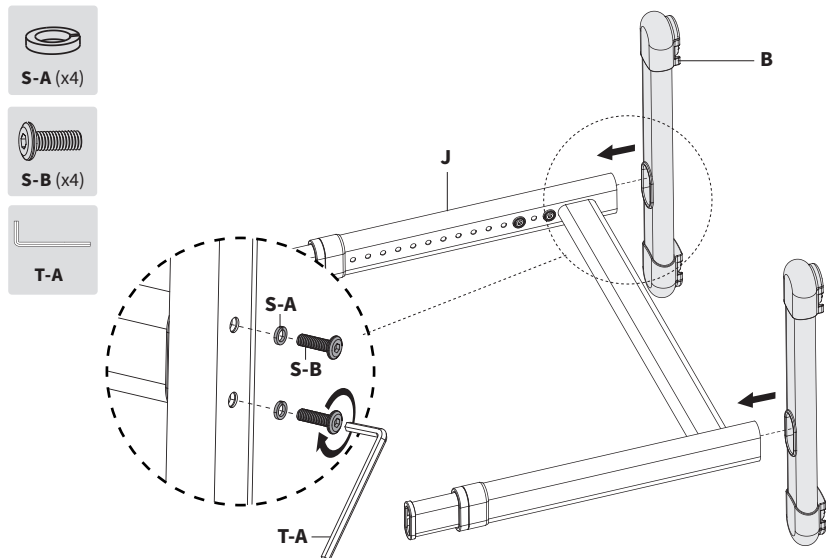
Secure the Seat Back (**G**) to the Right and Left Supports (**C,D**) using M6x20mm Screws (**S-B**) and 4mm Allen Wrench (**T-A**). If needed, chair can be leveled using pads on Feet (**B**).



# DESK ASSEMBLY STEPS

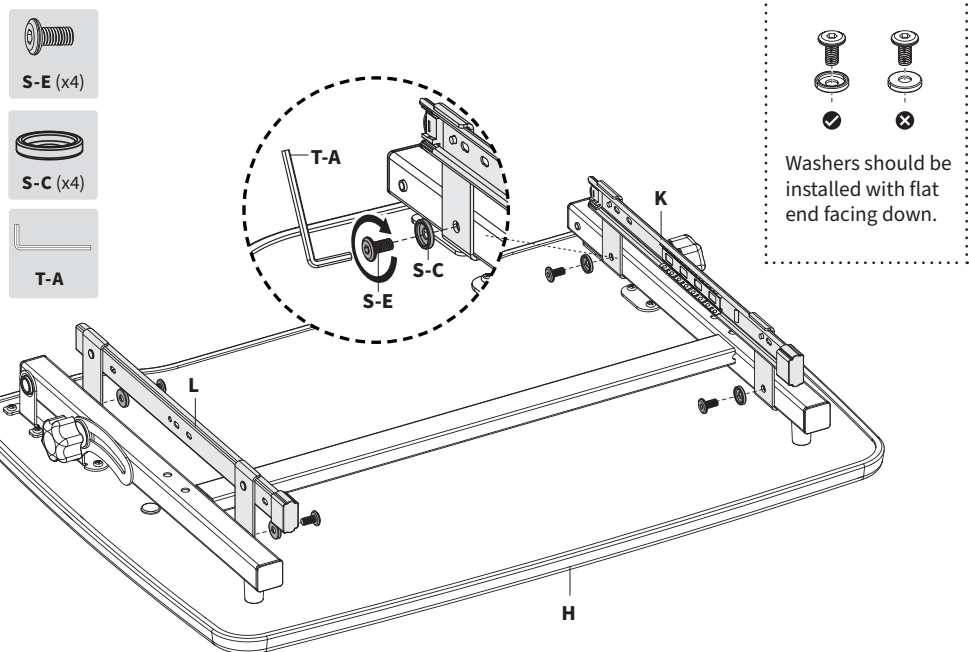
## STEP 1

Press Desk Legs (**J**) into Feet (**B**), making sure legs are fully seated in openings. Secure Feet (**B**) using M6x20mm Screws (**S-B**) and Metal Lock Washers (**S-A**). Tighten with 4mm Allen Wrench (**T-A**).



## STEP 2

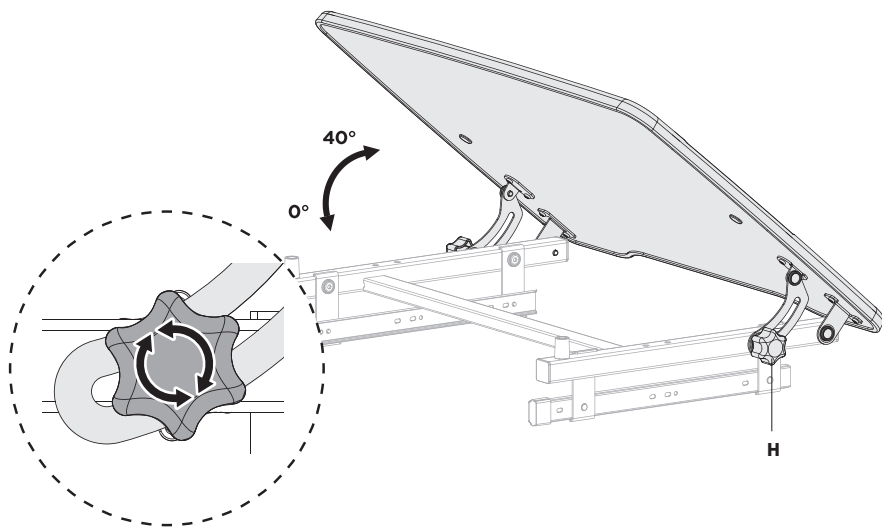
Assemble Left Drawer Slider (**K**) and Right Drawer Slider (**L**) to Desktop (**H**) using M6x12mm Screws (**S-E**) and Plastic Washers (**S-C**). Tighten with 4mm Allen Wrench (**T-A**).



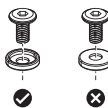
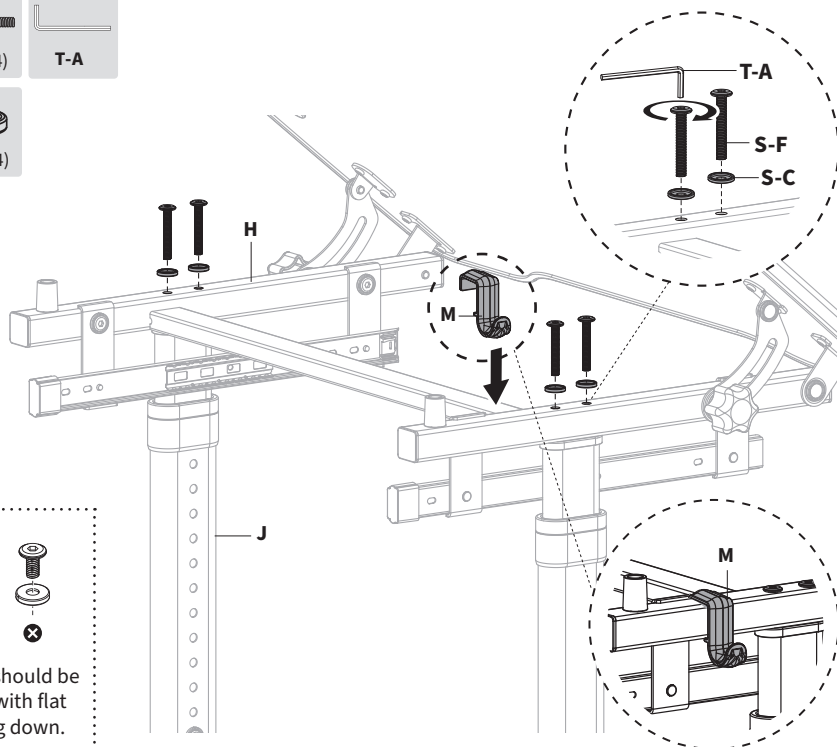
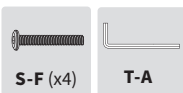


### STEP 3

Loosen the knobs on Desktop (H) to lift the top, then tighten the knobs to secure it in place.



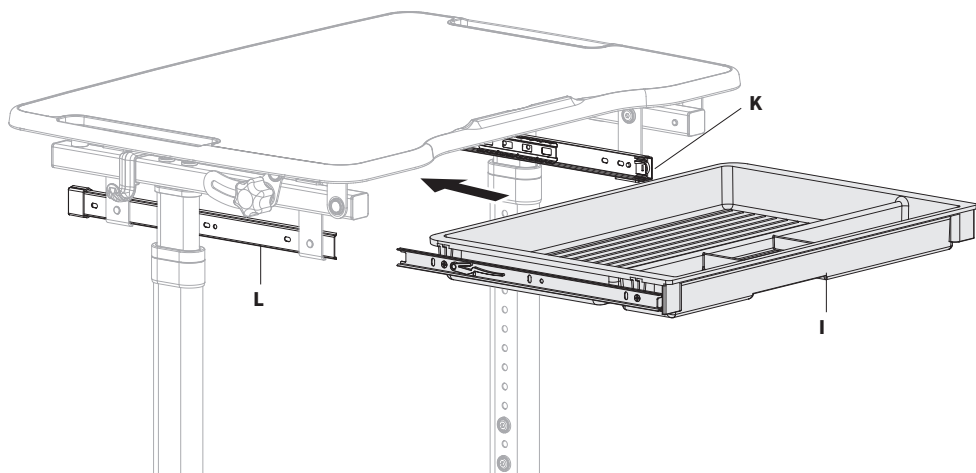
Press Hook (M) onto Desktop (H) support making sure it is facing out from the desk. Secure Desktop (H) to Desk Legs (J) using M6x40mm Screws (S-F), Plastic Washer (S-C) and 4mm Allen Wrench (T-A).



Washers should be installed with flat end facing down.

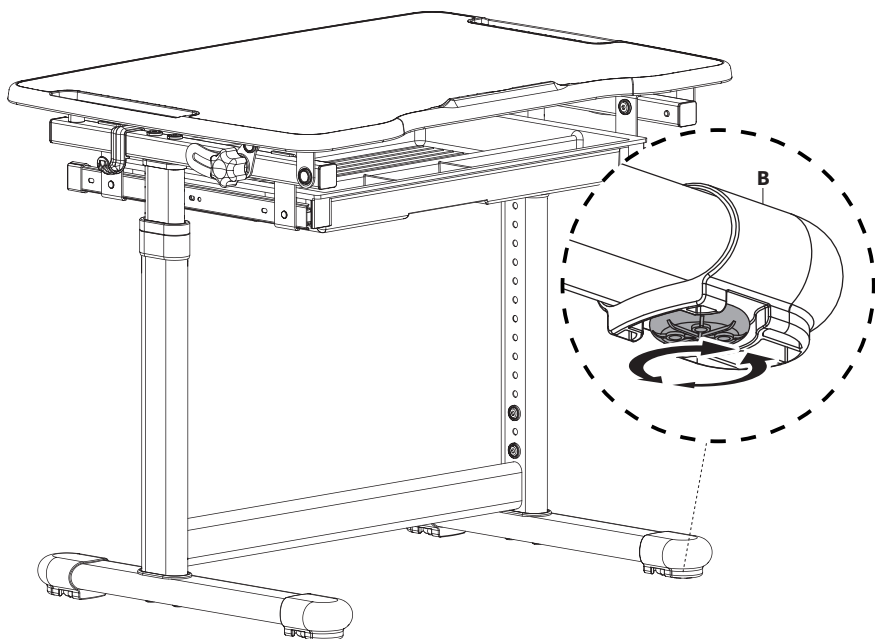
## STEP 4

Extend both slides on Drawer (I) and simultaneously slide them inside of previously installed Left and Right Drawer Sliders (K,L).



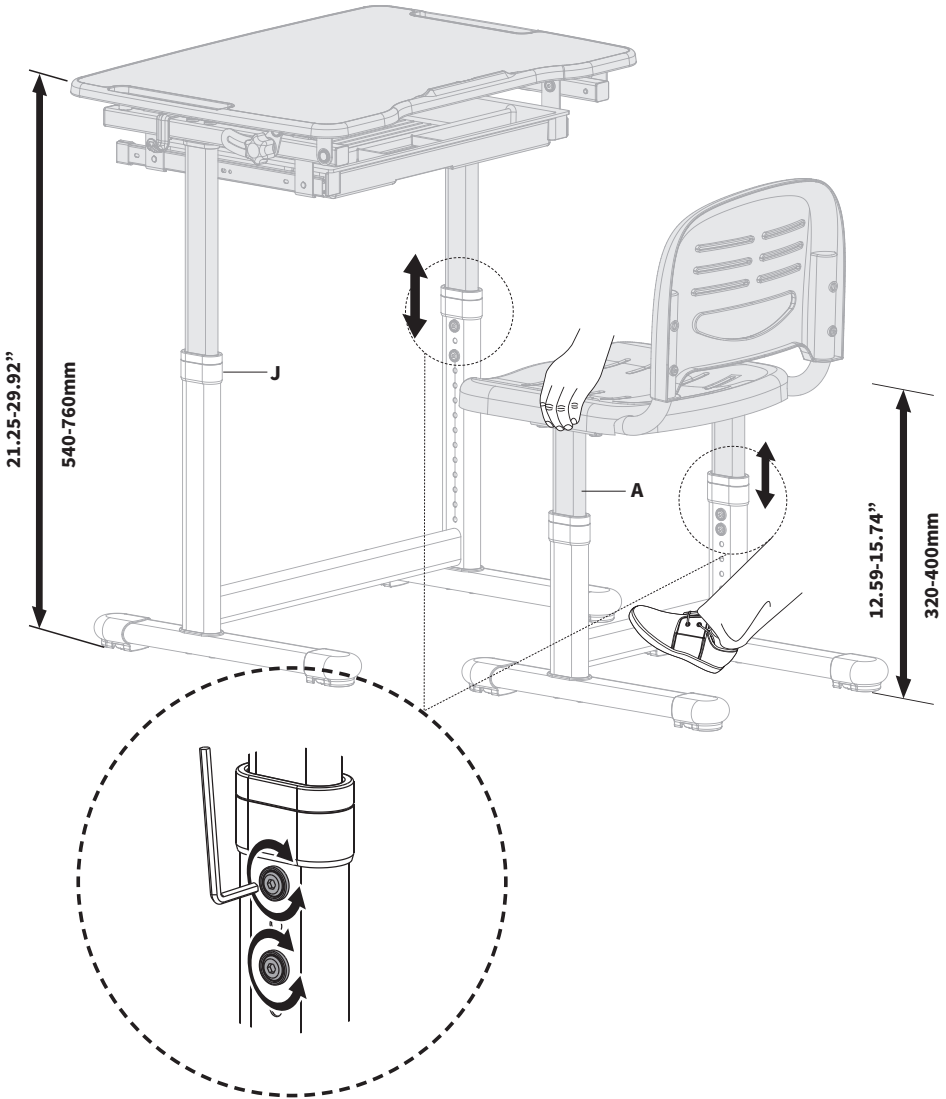
## STEP 5

Level desk by adjusting pads on underside of Feet (B).



# ADJUSTING CHAIR & DESK HEIGHT

To adjust the chair or desk height, remove the 4 pre-installed screws on Chair and Desk Legs (**A,J**) using the 4mm Allen Wrench (**T-A**). Reinstall screws at desired height.





## Need Help? Get In Touch

Monday-Friday from 7:00am-7:00pm CST



[help@vivo-us.com](mailto:help@vivo-us.com)



[www.vivo-us.com](http://www.vivo-us.com)

*Chat live with an agent!*



309-278-5303



VIVO-us



@vivo\_us