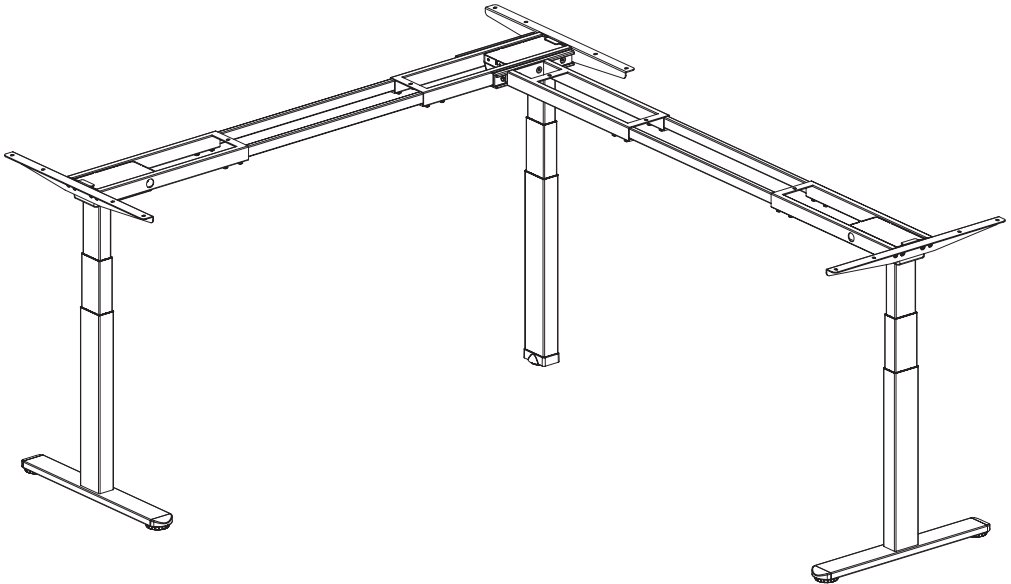


Electric Multi Motor Corner Desk Frame

SKU: DESK-V130EB/W

Instruction Manual



ASSEMBLY VIDEO AVAILABLE:

Follow along step-by-step with our video walk through by scanning the QR code with your mobile device or by following the product link: vivo-us.com/products/desk-v130eb

Contact Us First!

DO NOT RETURN ITEM

Our friendly product support team is here to help!



PERSONABLE CUSTOMER SUPPORT

7AM - 7PM

Monday-Friday



Give us a Call:
309-278-5303



Chat Us:
www.vivo-us.com



Email Us:
help@vivo-us.com

We're Here for You!

Our customer-minded support team is here for YOU,

Monday-Friday 7am-7pm CST.

We offer immediate assistance with rapid response times from customer service agents and product technicians to help you every step of the way!



Missing a Part?

If any parts are received damaged / defective OR you are missing a part, please reach out to us ***within 30 days of product delivery to have it replaced at no cost.***

We are happy to replace parts to ensure you have a fully functioning product

PRE-ASSEMBLY | BEFORE YOU BEGIN



If you do not understand these directions, or if you have any doubts about the safety of the installation, please call a qualified technician. Check carefully to make sure there are no missing or defective parts. Improper installation may cause damage or serious injury. Do not use this product for any purpose that is not explicitly specified in this manual. Do not exceed weight capacity. We cannot be liable for damage or injury caused by improper mounting, incorrect assembly or inappropriate use.

WARNING: CHOKING HAZARD

SMALL PARTS - NOT FOR CHILDREN UNDER 3 YEARS. ADULT SUPERVISION IS REQUIRED.

TIPOVER WARNING

SERIOUS OR FATAL CRUSHING INJURIES CAN OCCUR FROM TIPOVER. TO HELP PREVENT TIPOVER:

- NEVER ALLOW CHILDREN TO CLIMB, STAND, HANG, OR PLAY ON ANY PART OF TV OR TV CART.
- USE TIPOVER RESTRAINT OR ANCHOR STAND TO WALL

USE OF TIPOVER RESTRAINTS MAY ONLY REDUCE, BUT NOT ELIMINATE RISK OF TIPOVER.

WEIGHT CAPACITY

DO NOT EXCEED WEIGHT CAPACITY. Failure to do so may result in serious injury.



300lbs
(136kg)



Product Warranty

For the most up to date details on your product's warranty, please visit the product's listing on our website or reach out to customer support.

vivo-us.com/products/desk-v130eb



Returns | Product Didn't Work Out?

We offer a hassle-free 30 day return on all products. Contact customer support at 309-278-5303 or help@vivo-us.com. Please note: For items ordered in error or no longer needed, the return shipping charges will be at the buyer's expense.

TOOLS NEEDED:



Phillips Screwdriver



Drill



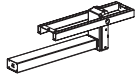
Level

DIFFICULTY LEVEL

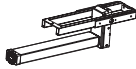


PACKAGE CONTENTS

Please consult the parts list below and ensure you have everything you need to assemble your product. If parts are missing or damaged, please contact us.



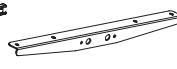
A (x2)
Side Leg



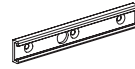
B (x1)
Center Leg



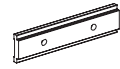
C (x4)
Inner Crossbar



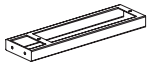
D (x3)
Side Bracket



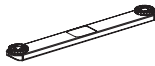
E (x1)
Rail



F (x1)
Slider



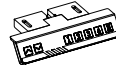
G (x1)
Outer Crossbar



H (x2)
Foot



I (x1)
Control Unit



J (x1)
Control Panel



K (x1)
Power Cable



L (x1)
Short Extension
Cable



M (x1)
Long Extension
Cable



N (x4)
Connecting
Plate



O (x19)
Anti-Vibration
Pad



P (x4)
Cable Clip



S-A (x35)
ST5x16mm Screw



S-B (x38)
M6x11mm Screw



S-C (x6)
M8x12mm Screw



S-D (x5)
M4x15mm Screw



T-A (x1)
5mm Allen Wrench

NOTE: SOME HARDWARE INCLUDED MAY NOT BE USED



WARNING

PINCH POINT

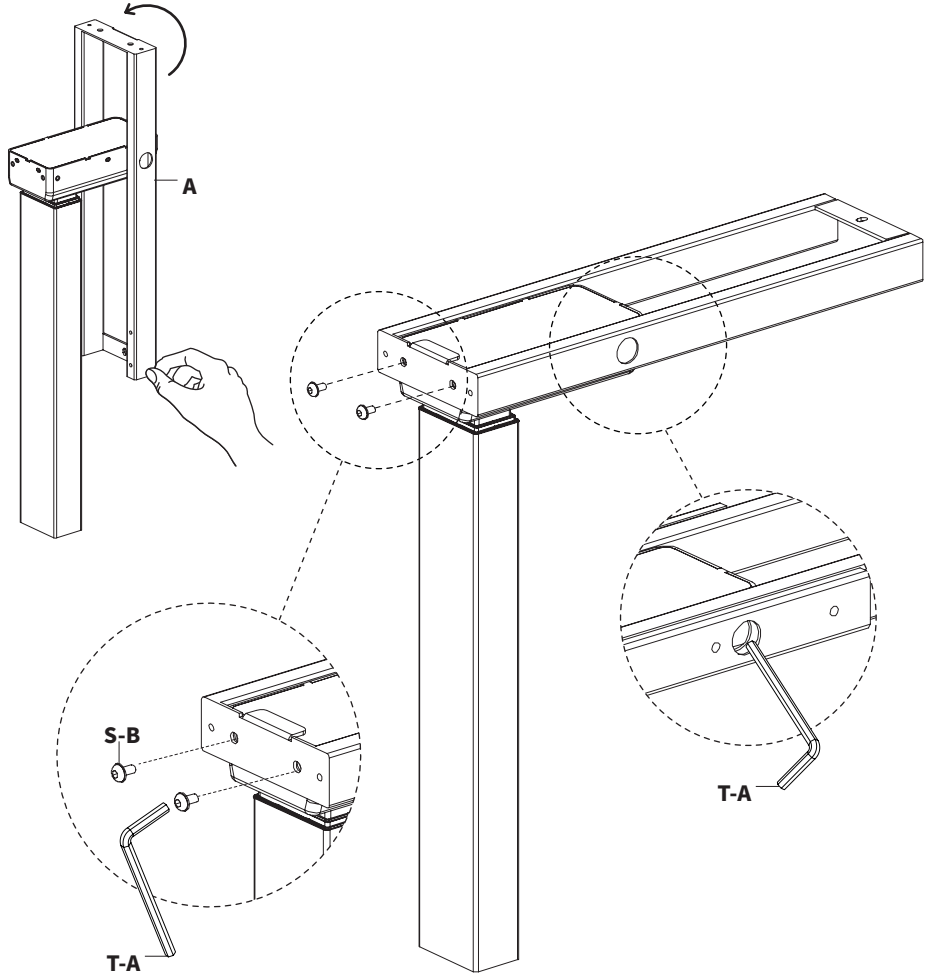
DO NOT place hands on or near support bars. Moving parts can crush and cut. Pinch points are created during lifting and lowering the work surface. Failure to follow these instructions may result in serious personal injury.



ASSEMBLY STEPS

STEP 1: Opening Side Leg Crossbar

Rotate, open, and fasten the crossbar on Side Legs **(A)** using M6x11mm Screws **(S-B)** and 5mm Allen Wrench **(T-A)**. Tighten the preinstalled screws inside of the crossbars using 5mm Allen Wrench **(T-A)**.

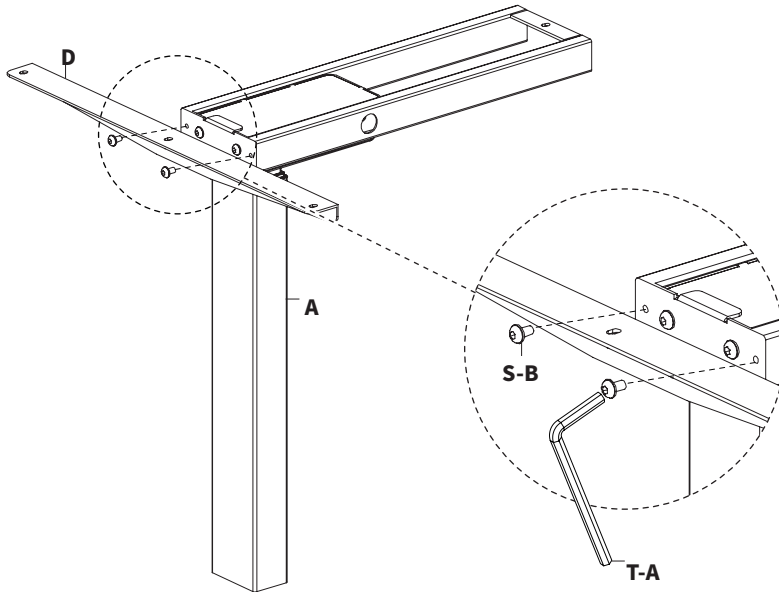


- A (x2)**
Side Leg
- S-B (x4)**
M6x11mm Screw
- T-A (x1)**
5mm Allen Wrench

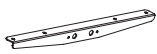
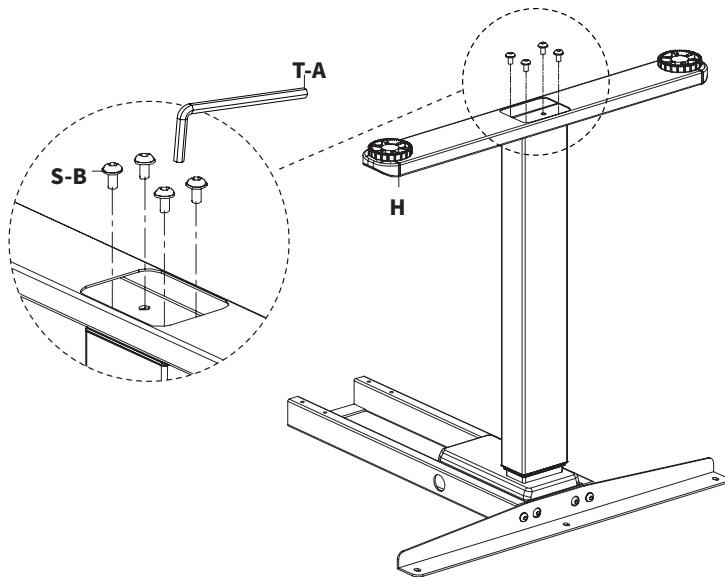


STEP 2: Attaching Side Brackets & Feet

Attach Side Brackets (**D**) to Side Legs (**A**) using M6x11mm Screws (**S-B**) and 5mm Allen Wrench (**T-A**).



Attach Feet (**H**) to Side Legs (**A**) using M6x11mm Screws (**S-B**) and 5mm Allen Wrench (**T-A**).



D (x2)
Side Bracket



H (x2)
Foot



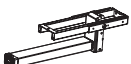
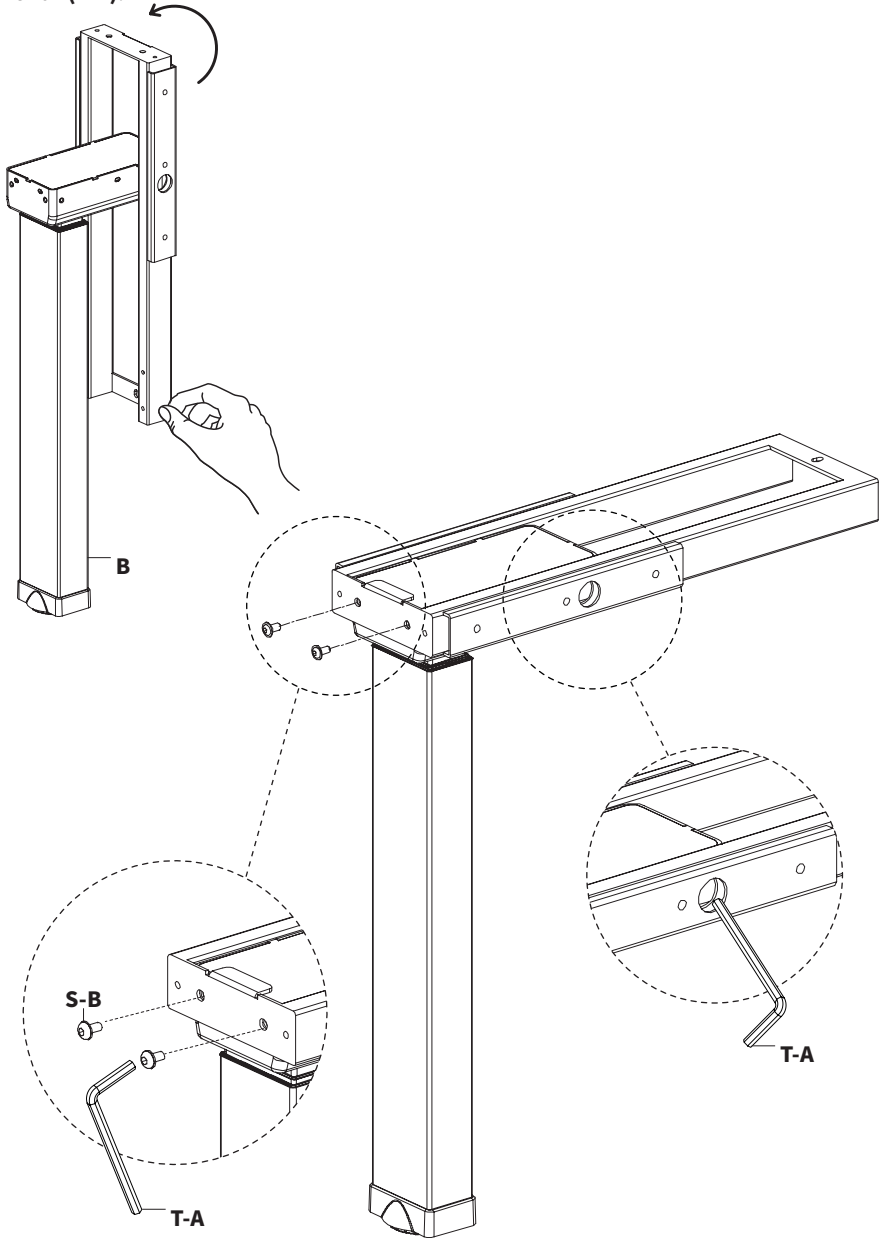
S-B (x12)
M6x11mm Screw



T-A (x1)
5mm Allen Wrench

STEP 3: Opening Center Leg Crossbar

Rotate, open, and fasten the crossbar on Center Leg **(B)** using M6x11mm Screws **(S-B)** and 5mm Allen Wrench **(T-A)**. Tighten the preinstalled screws inside of the crossbar using 5mm Allen Wrench **(T-A)**.



B (x1)
Center Leg



S-B (x2)
M6x11mm Screw

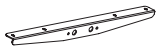
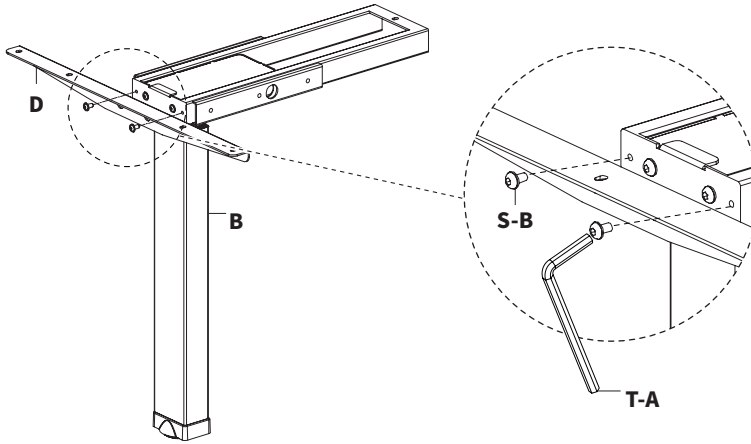


T-A (x1)
5mm Allen Wrench



STEP 4: Installing Side Bracket

Attach Side Bracket (**D**) to Center Leg (**B**) using M6x11mm Screws (**S-B**) and 5mm Allen Wrench (**T-A**).



D (x1)
Side Bracket



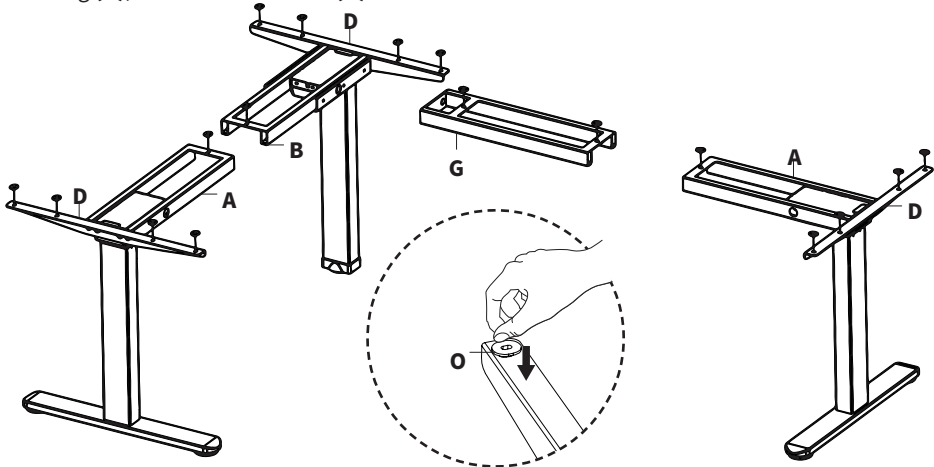
S-B (x2)
M6x11mm Screw



T-A (x1)
5mm Allen Wrench

STEP 5: Attach Anti-Vibration Pads

Attach Anti-Vibrations Pads (**O**) in the locations shown on Side Brackets (**D**), Side Legs (**A**), Center Leg (**B**), and Outer Crossbar (**G**).



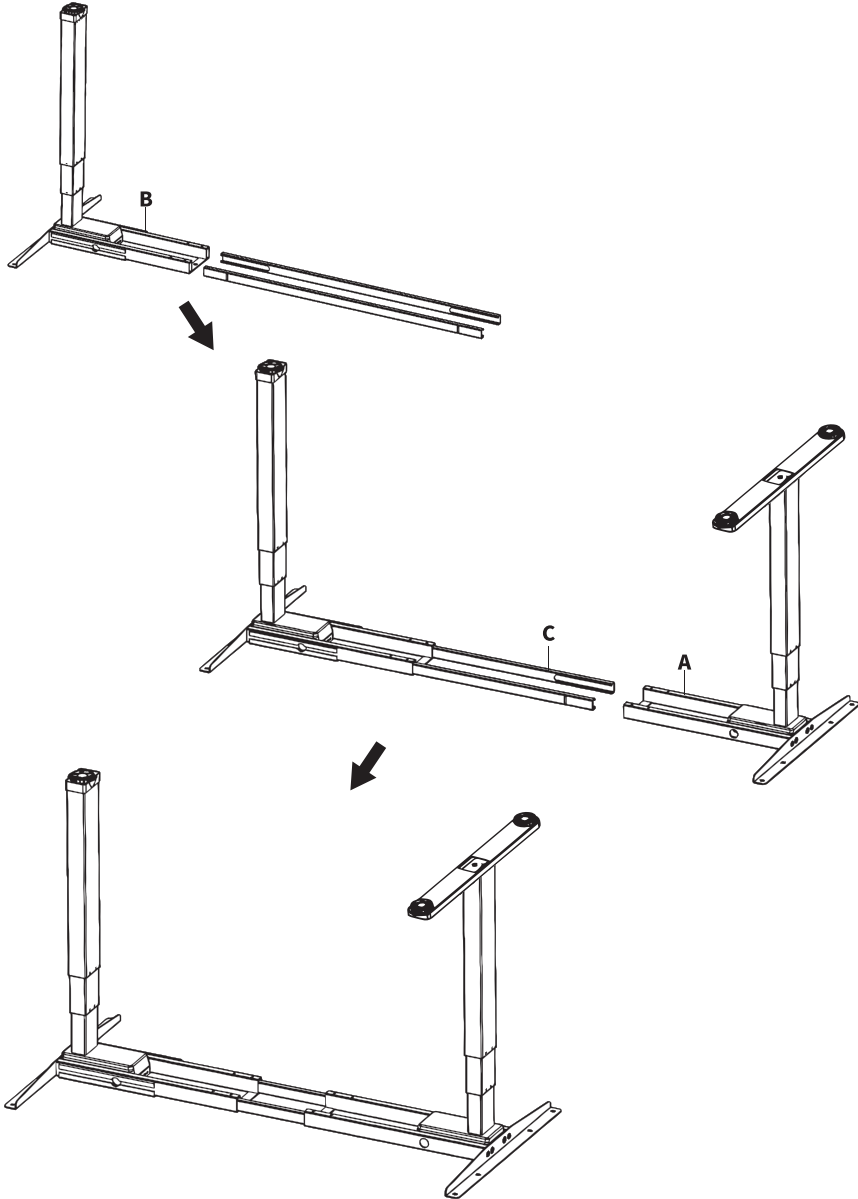
O (x17)
Anti-Vibration Pad



G (x1)
Outer Crossbar

STEP 6: Attaching the Fixing Plate

Slide Inner Crossbars (**C**) into Center Leg (**B**) making sure the slot cutouts are facing inwards. Slide one of the Side Leg (**A**) sections over Inner Crossbars (**C**).



C (x2)
Inner Crossbar

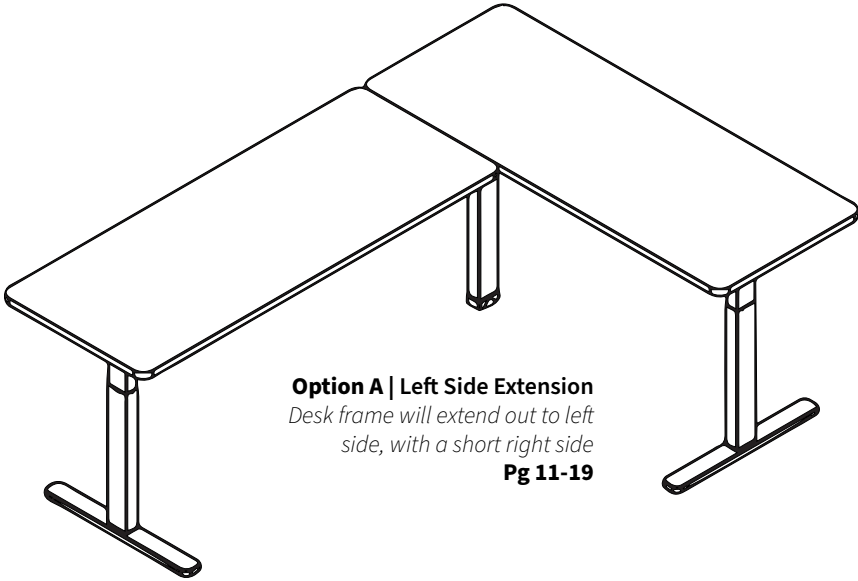


- Assembly Options -

This desk can be assembled with a left or right side extension.

Please select an option and proceed with assembly

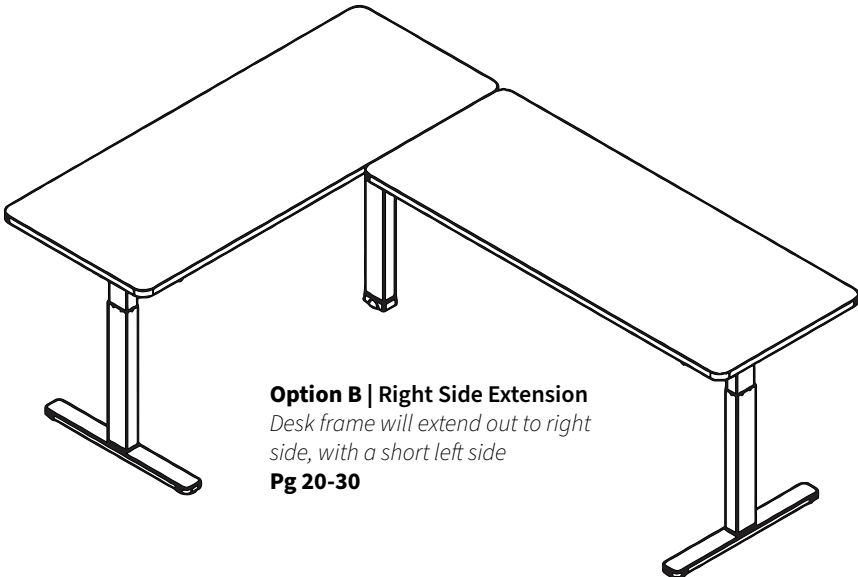
The remainder of this manual will show assembly using two 60” VIVO desktops. The assembly process should remain the same but the images may differ slightly depending on the tops used.



Option A | Left Side Extension

Desk frame will extend out to left side, with a short right side

Pg 11-19



Option B | Right Side Extension

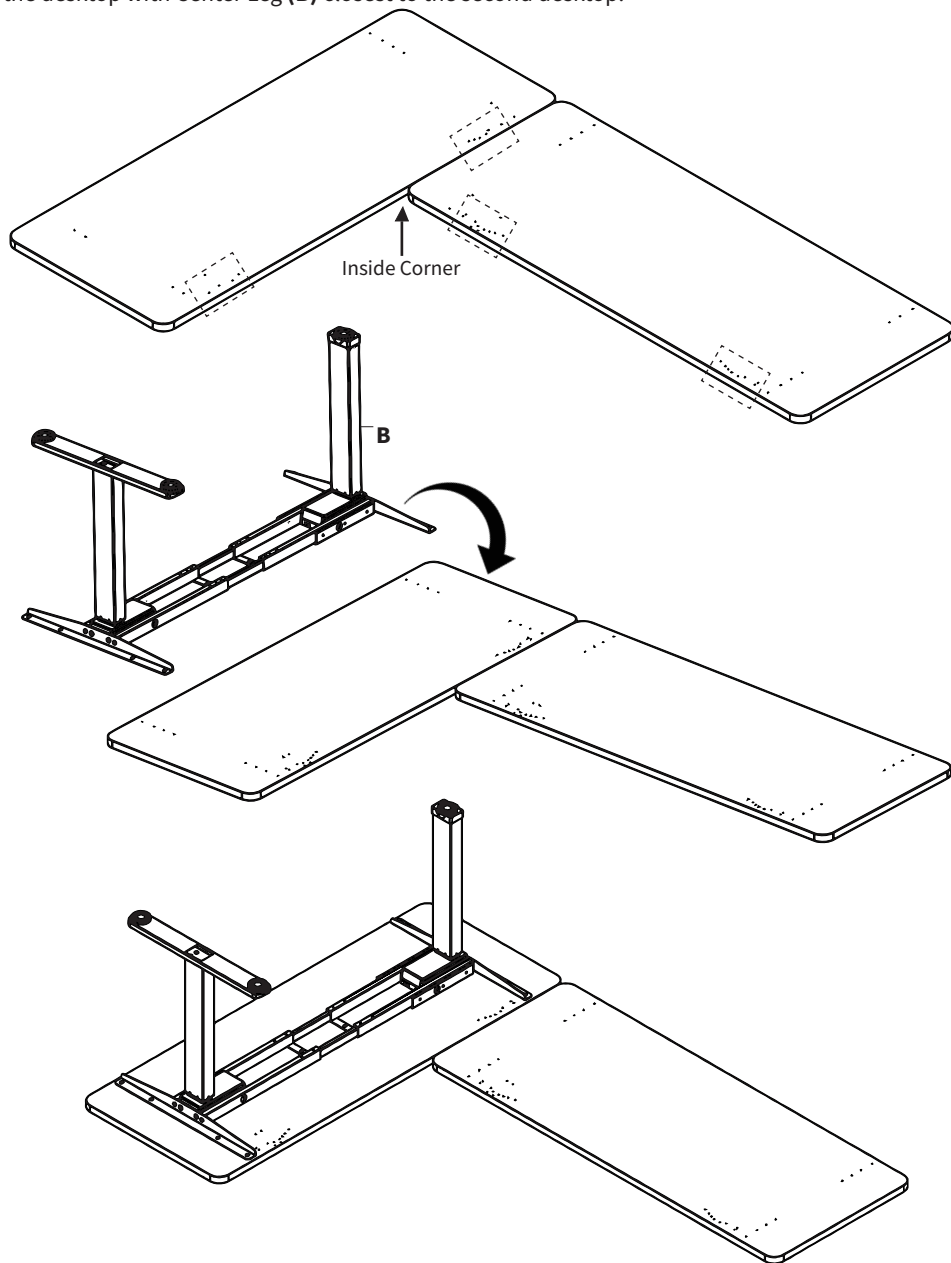
Desk frame will extend out to right side, with a short left side

Pg 20-30

ASSEMBLY OPTION A | Left Side Extension

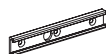
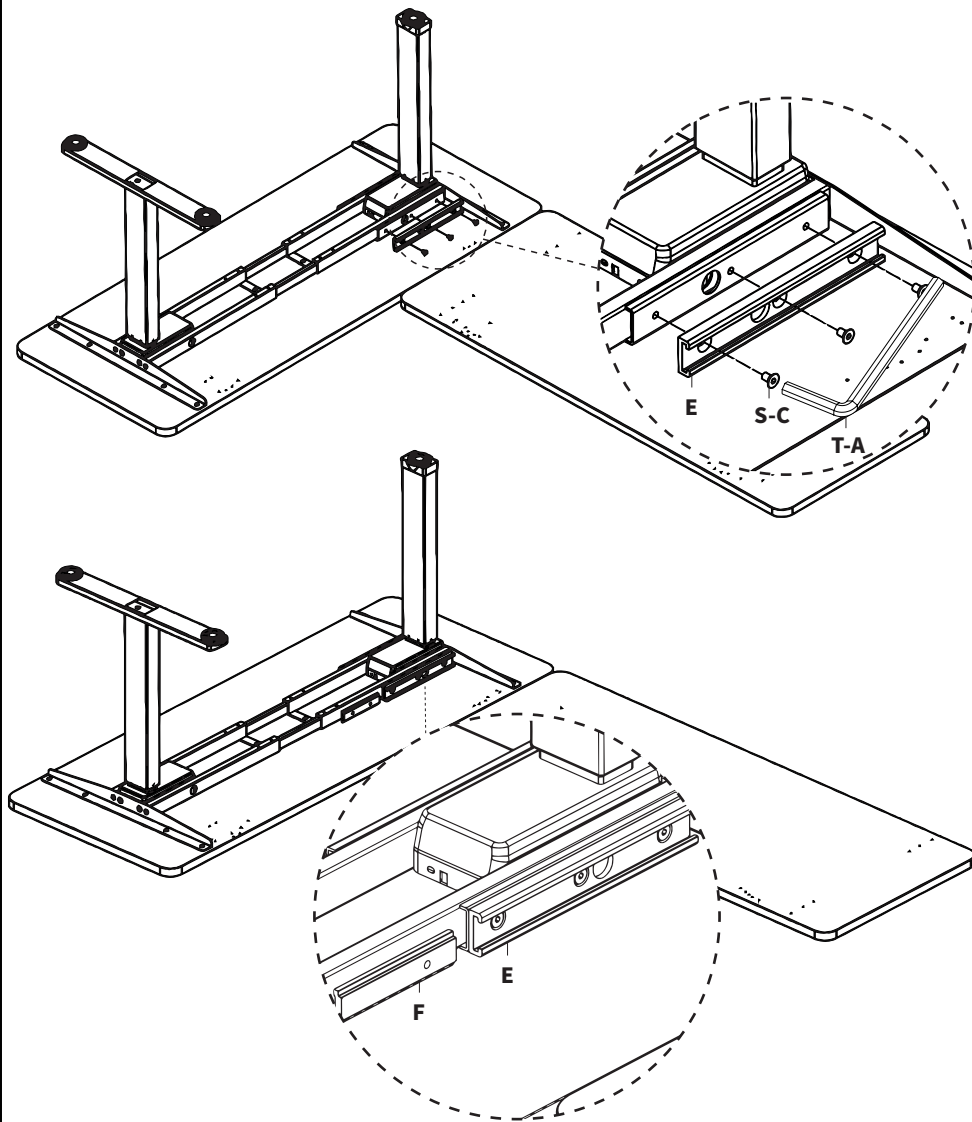
A-STEP 7: Lay Out Desktops

Layout desktops bottom side up on the floor as shown. If using VIVO desktops, make sure the control panel pilot holes are facing towards the inside corner. Place the main leg assembly on the desktop with Center Leg **(B)** closest to the second desktop.



A-STEP 8: Connect Left Side

Attach Rail (E) to the left side of Center Leg (B) using M8x12mm Screws (S-C) and 5mm Allen Wrench (T-A). Insert Slider (F) into Rail (E).



E (x1)
Rail



F (x1)
Slider



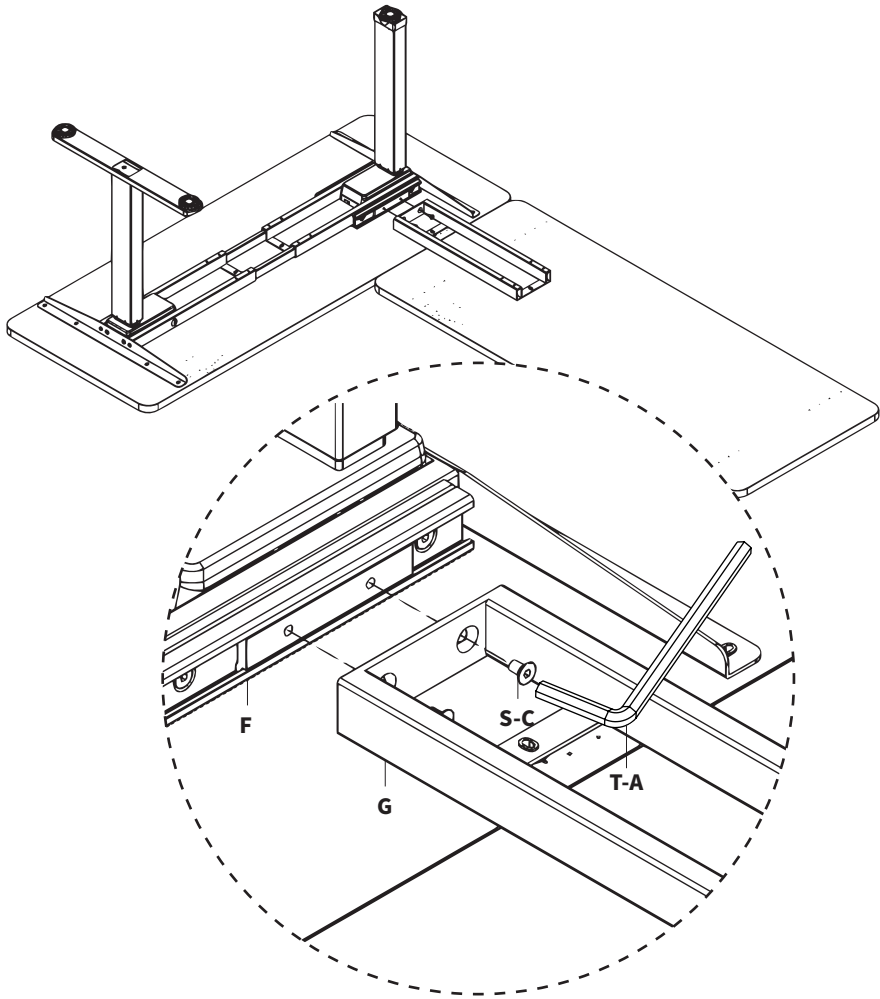
S-C (x3)
M8x12mm Screw



T-A (x1)
5mm Allen Wrench

A-STEP 9: Assemble Outer Crossbar

Loosely assemble Outer Crossbar (**G**) to Slider (**F**) using M8x12mm Screws (**S-C**) and 5mm Allen Wrench (**T-A**) making sure the crossbar is still able to slide for adjustments later on.



G (x1)
Outer Crossbar



S-C (x2)
M8x12mm Screw

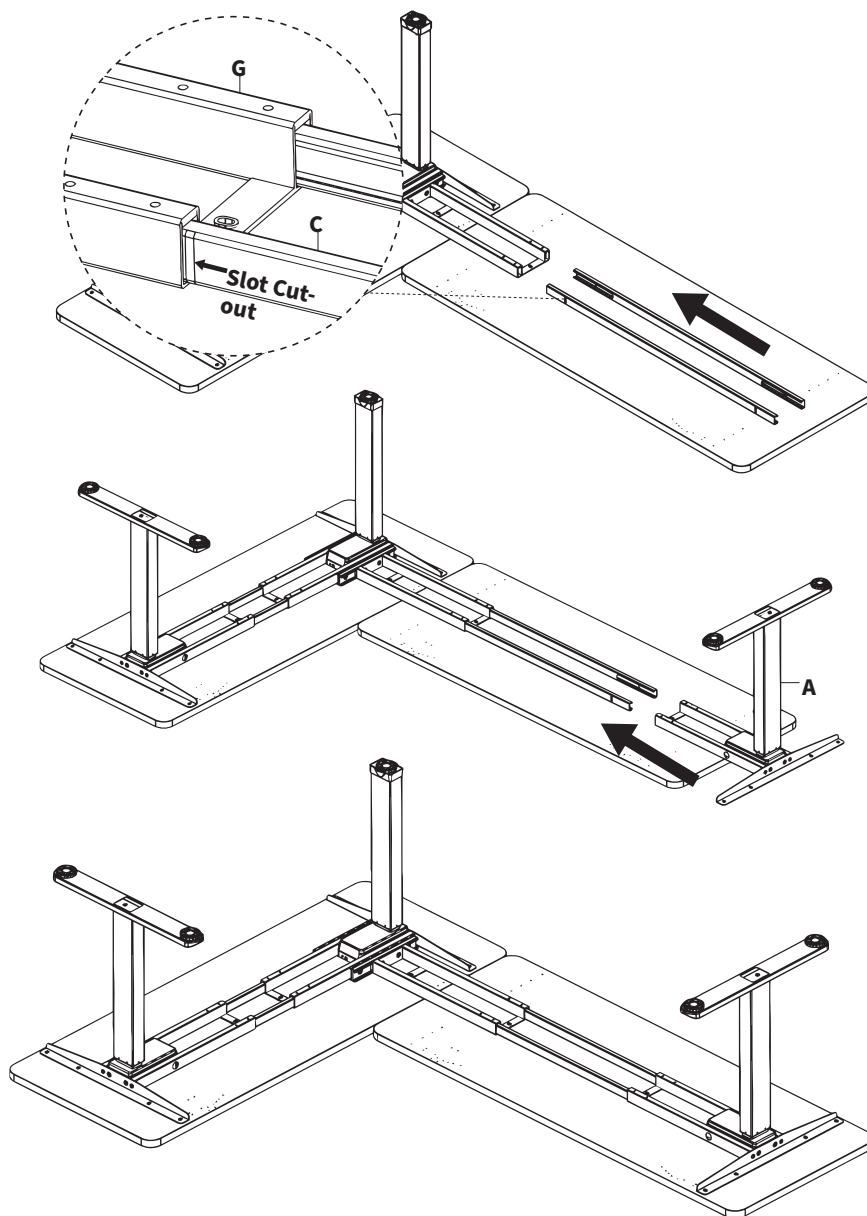


T-A (x1)
5mm Allen Wrench



A-STEP 10: Connect Inner Crossbar

Slide Inner Crossbars (C) into Outer Crossbar (G) making sure the slot cutouts are facing inwards. Slide Side Leg (A) over Inner Crossbars (C).



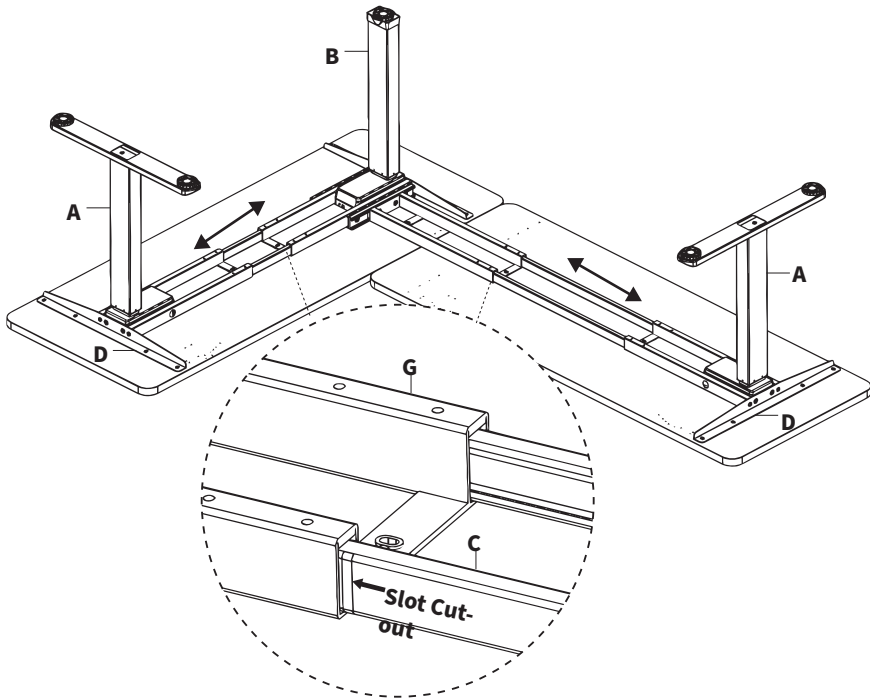
C (x2)
Inner Crossbar

A-STEP 11: Align Frame with Desktops

Adjust Legs (**A, B**) and Inner Crossbars (**C**), and Outer Crossbar (**G**) so the Side Bracket (**D**) mounting holes are aligned with the desktop pilot holes.

If you are using a desktop without pilot holes, mark hole locations and drill 0.375" (10mm) deep holes using a 0.125" (3mm) drill bit.

Make sure not to extend the Inner Crossbars past the slot cutouts on each side.

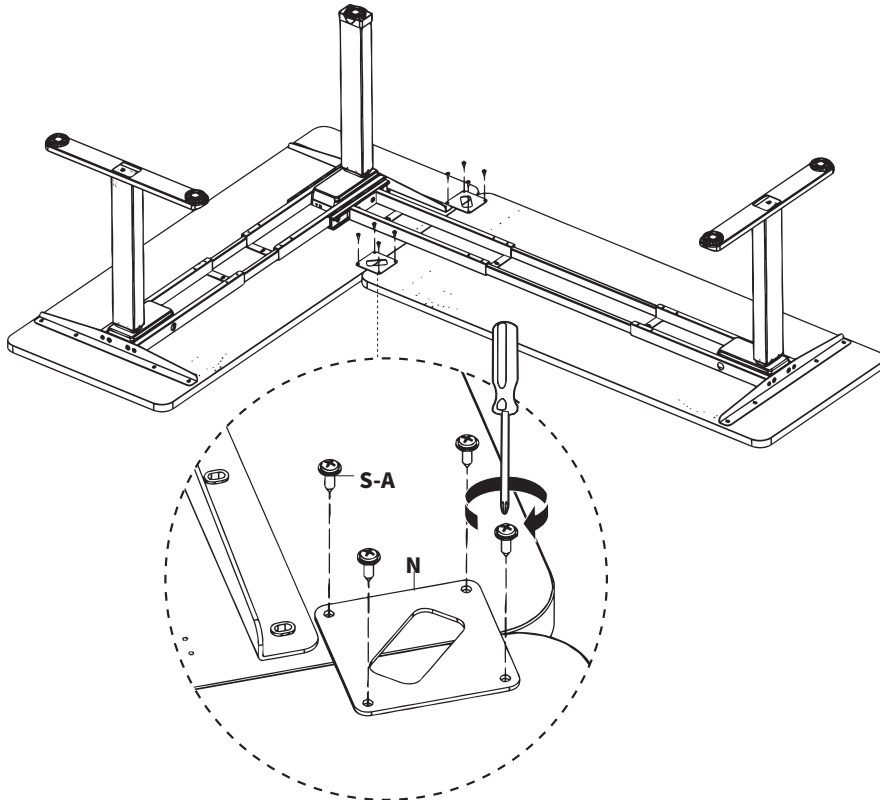


A-STEP 12: Secure Desktops

Place a Connecting Plate (**N**) on either side of the crossbar where 2 desktop panels meet. The location may vary from the image. Make sure the desktop edges are aligned and there is no gap between the panels.

Connect desktop panels using Connecting Plates (**N**), ST5x16mm Screws (**S-A**), and a Phillips screwdriver. Extra force on the screwdriver will be required to pierce the desktop surface.

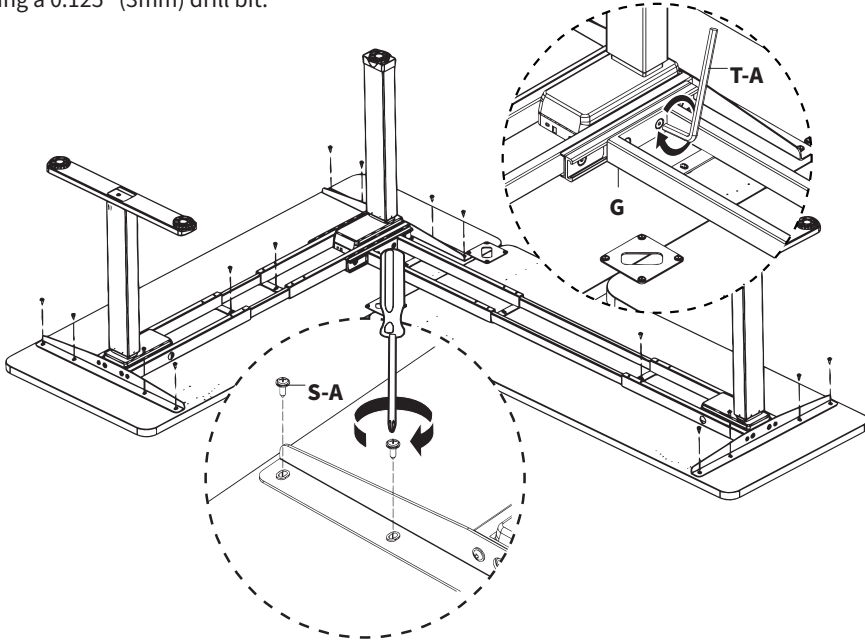
Please Note: For easier mounting, drive screws directly into the desktop using a drill or mark hole locations and drill 0.375" (10mm) deep holes using a 0.125" (3mm) drill bit.



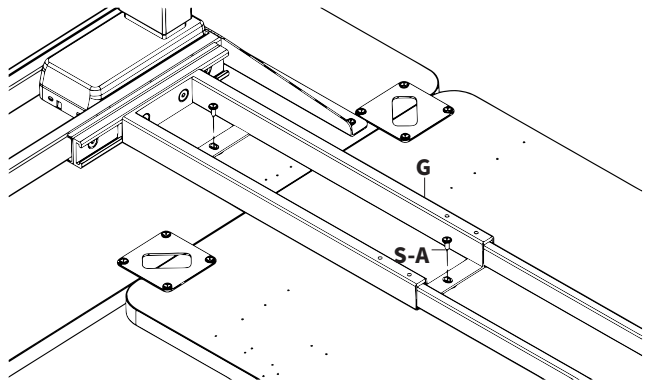
A-STEP 13: Connect Frame to Desktop

Secure the frame sections, excluding the adjustable Outer Crossbar (**G**), to the desktop using ST5x16mm Screws (**S-A**) and a Phillips screwdriver. Adjust the position of Outer Crossbar (**G**) as needed and fully tighten screws using 5mm Allen Wrench (**T-A**).

Please Note: Some mounting locations may not be predrilled, in this case, extra force on the screwdriver will be required to pierce the desktop surface. For easier mounting, drive screws directly into the desktop using a drill or mark hole locations and drill 0.375" (10mm) deep holes using a 0.125" (3mm) drill bit.



Secure the remaining frame mounting points on Outer Crossbar (**G**) using ST5x16mm Screws (**S-A**) and a Phillips screwdriver.



S-A (x17)
ST5x16mm Screw



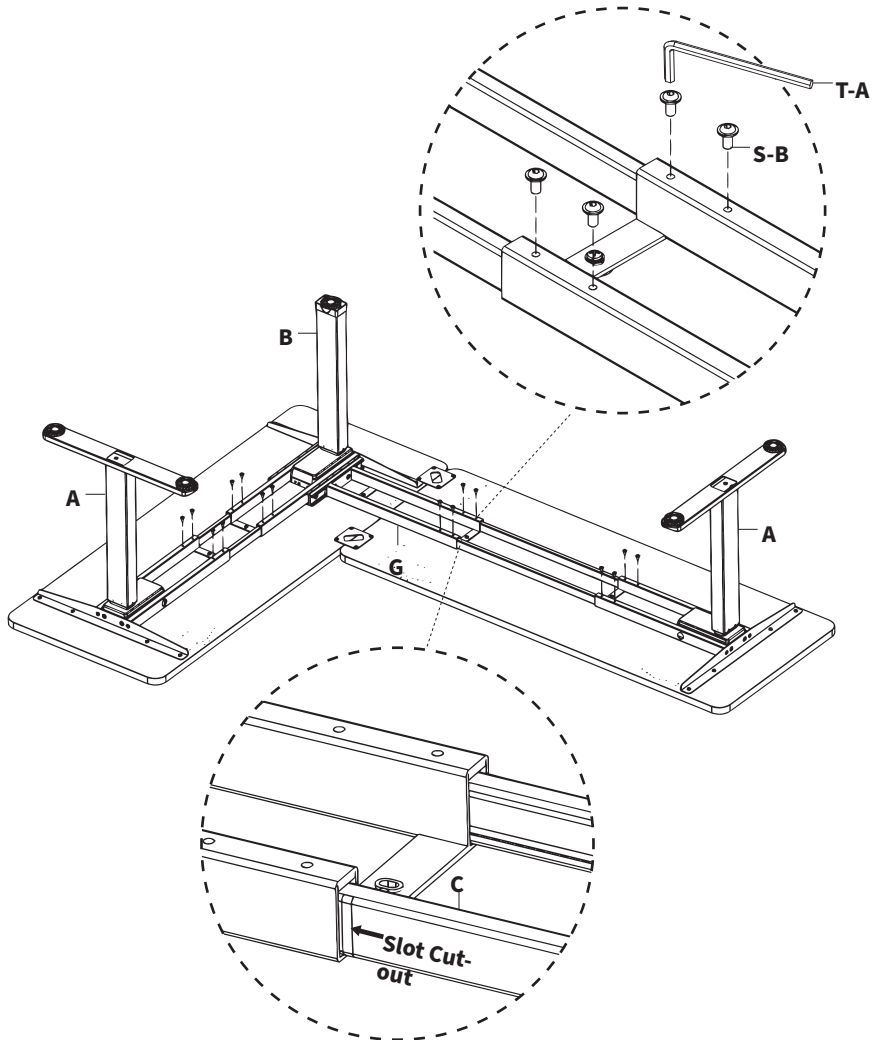
T-A (x1)
5mm Allen Wrench



A-STEP 14: Secure Outer Crossbar

Install M6x11mm Screws (**S-B**) onto Legs (**A, B**) and Outer Crossbar (**G**). Tighten screws using 5mm Allen Wrench (**T-A**) to secure the inner crossbars.

Please Note: Ensure the slot cutouts on Inner Crossbars (**C**) are right at or covered by the outer crossbars.



S-B (x16)
M6x11mm Screw

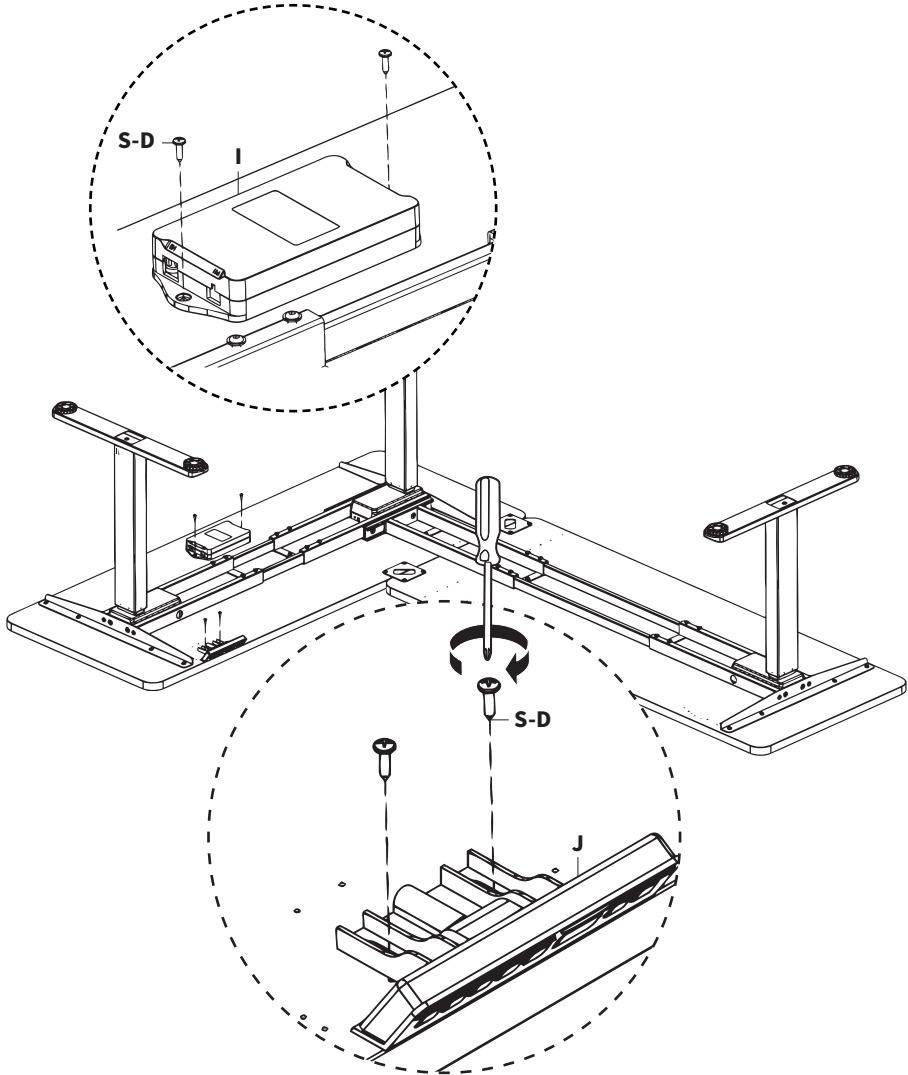


T-A (x1)
5mm Allen Wrench

A-STEP 15: Install Control Panel & Unit

Install Control Panel (**J**) and Control Unit (**I**) to desktop using ST4x15mm Screws (**S-D**) and a Phillips screwdriver. Extra force on the screwdriver will be required to pierce the desktop surface if pilot holes are not present.

Please Note: For easier mounting, drive screws directly into the desktop using a drill or mark hole locations and drill 0.375" (10mm) deep holes using a 0.125" (3mm) drill bit.



I (x1)
Control Unit



J (x1)
Control Panel

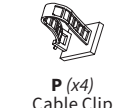
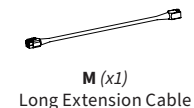
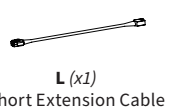
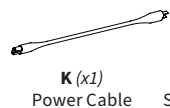
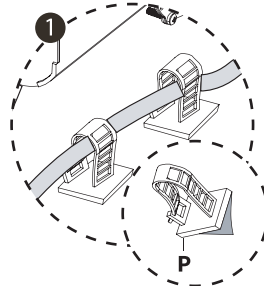
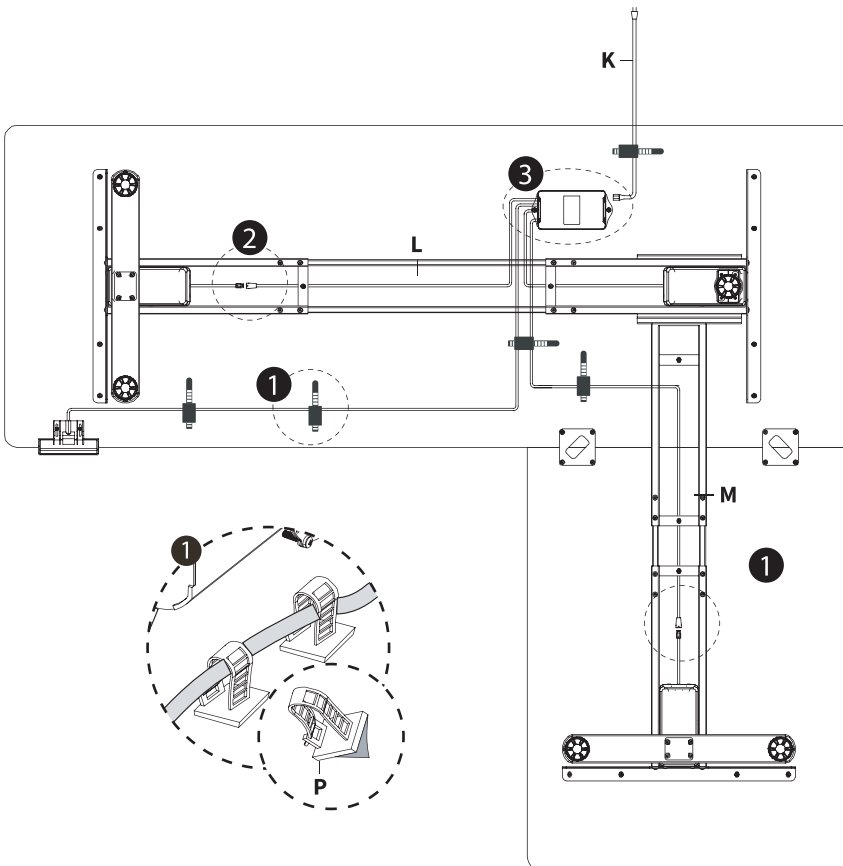
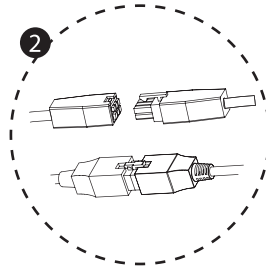
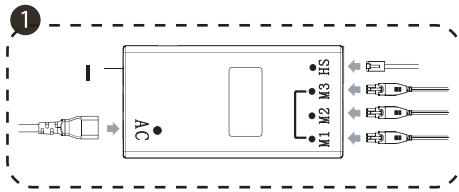


S-D (x4)
ST4x15mm Screw



A-STEP 16: Connect & Secure Cables

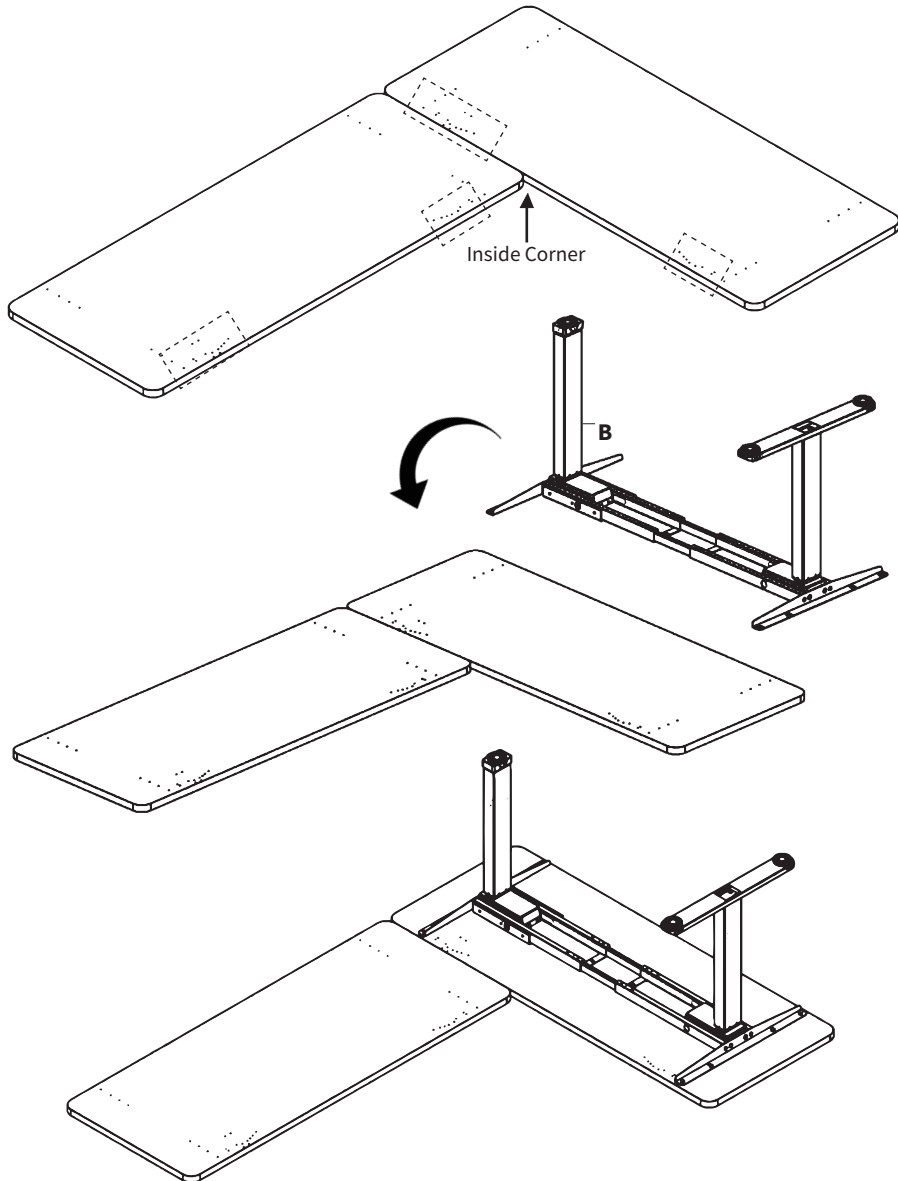
Connect Long Extension Cable (**M**) to the motor on the furthest leg from Control Unit (**I**). Connect Short Extension Cable (**L**) to the motor on the second farthest leg from Control Unit (**I**). Connect Short and Long Extension Cables (**M**, **L**) to Control Unit (**I**) along with the cable coming off of the closest leg. Connect Power Cable (**K**) to Control Unit (**I**) and a power source. Remove protective film from Cable Clips (**P**) and use them to cable manage.



ASSEMBLY OPTION B | Right Side Extension

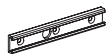
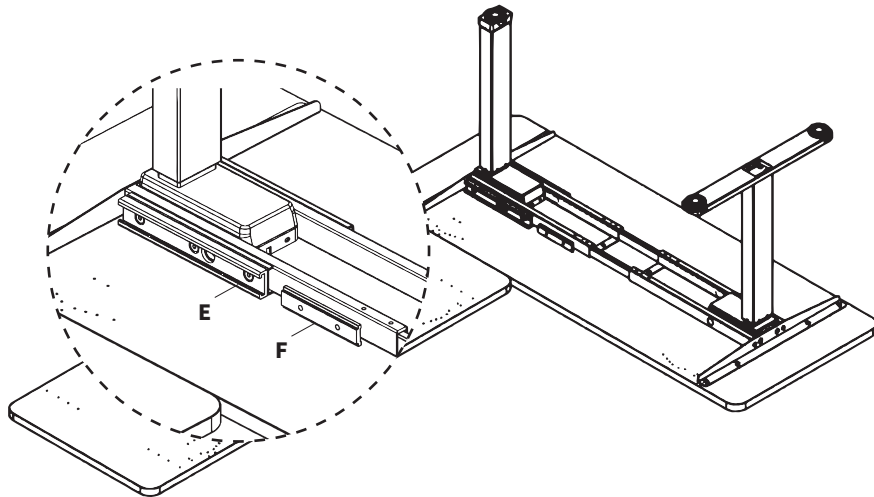
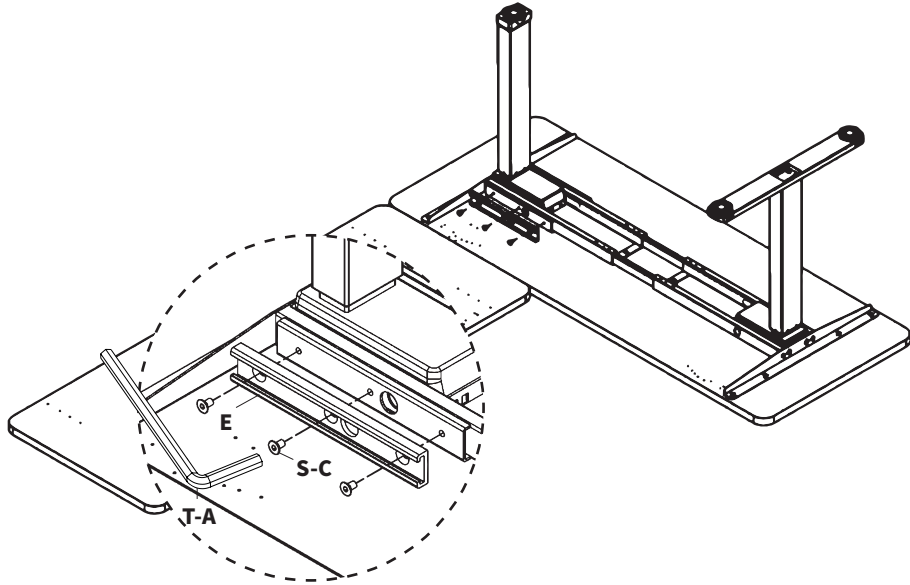
B-STEP 7: Lay Out Desktops

Layout desktops bottom side up on the floor as shown. If using VIVO desktops, make sure the control panel pilot holes are facing towards the inside corner. Place the main leg assembly on the desktop with Center Leg (**B**) closest to the second desktop.



B-STEP 8: Connect Left Side

Attach Rail (E) to the left side of Center Leg (B) using M8x12mm Screws (S-C) and 5mm Allen Wrench (T-A). Insert Slider (F) into Rail (E).



E (x1)
Rail



F (x1)
Slider



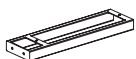
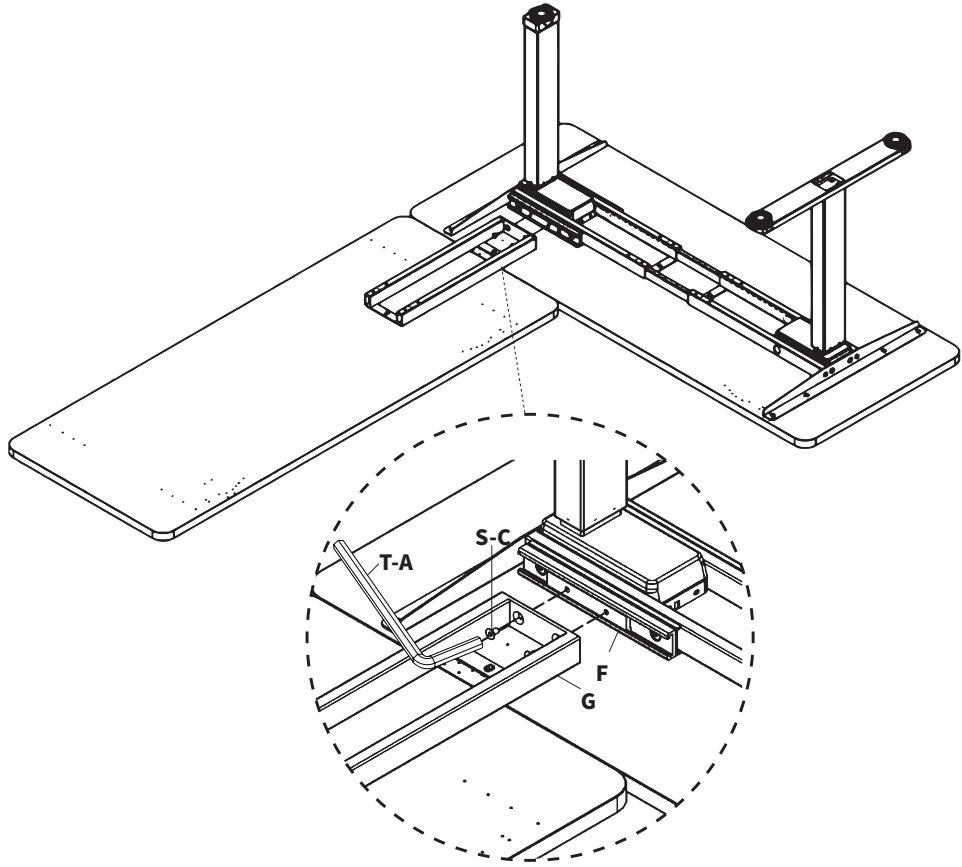
S-C (x3)
M8x12mm Screw



T-A (x1)
5mm Allen Wrench

B-STEP 9: Assemble Outer Crossbar

Loosely assemble Outer Crossbar (**G**) to Slider (**F**) using M8x12mm Screws (**S-C**) and 5mm Allen Wrench (**T-A**) making sure the crossbar is still able to slide for adjustments later on.



G (x1)
Outer Crossbar



S-C (x2)
M8x12mm Screw

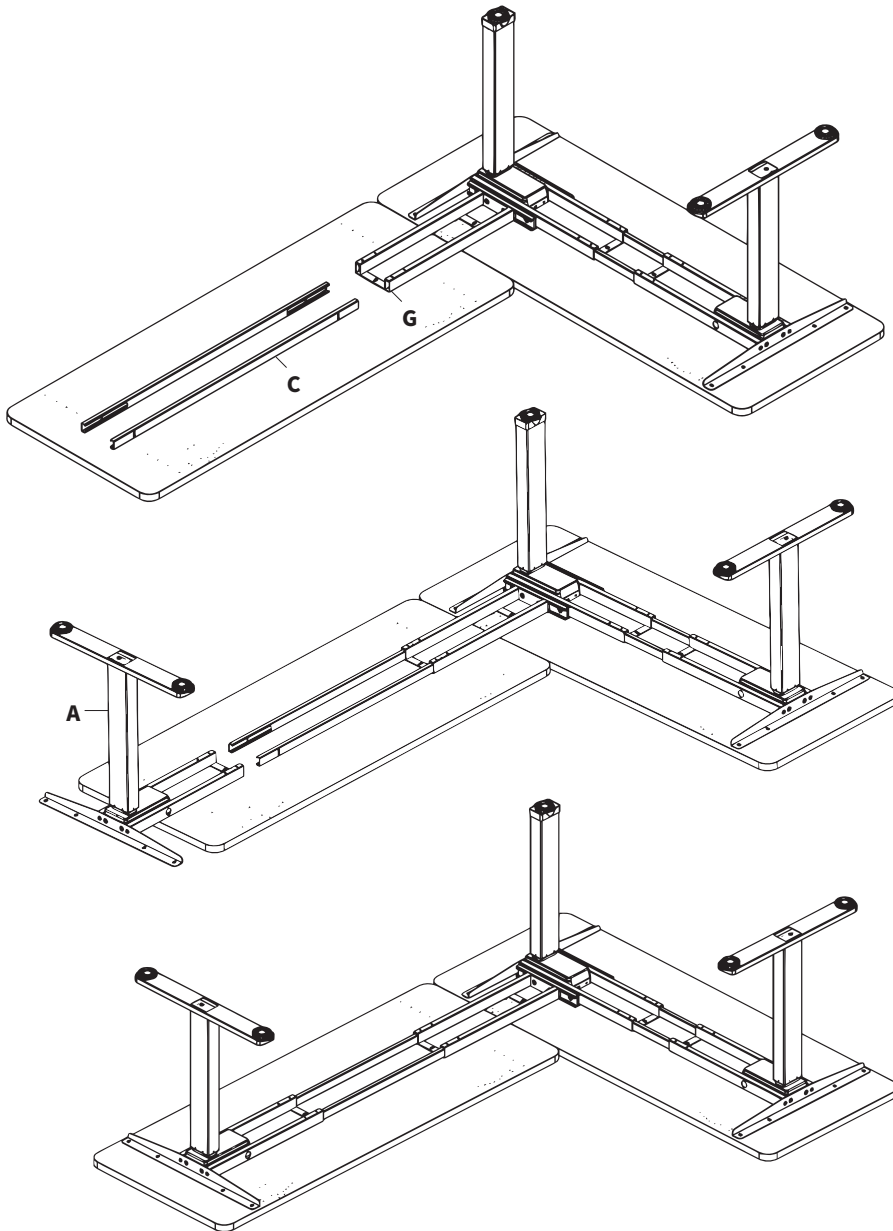


T-A (x1)
5mm Allen Wrench



B-STEP 10: Connect Inner Crossbar

Slide Inner Crossbars (**C**) into Outer Crossbar (**G**) making sure the slot cutouts are facing inwards. Slide Side Leg (**A**) over Inner Crossbars (**C**).



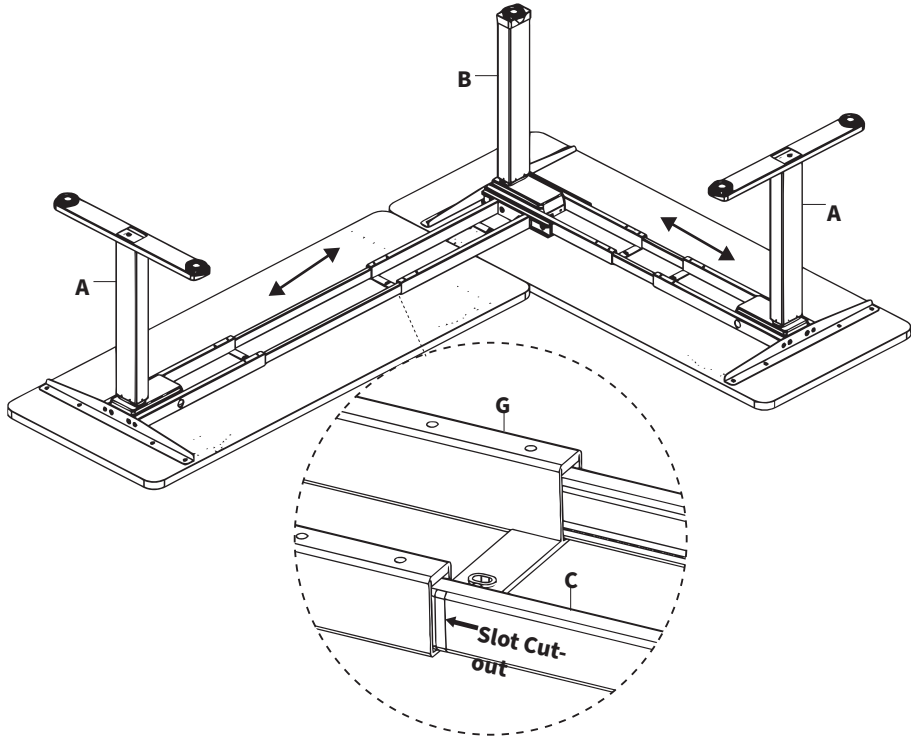
C (x2)
Inner Crossbar

B-STEP 11: Align Frame with Desktops

Adjust Legs **(A, B)** and Inner Crossbars **(C)**, and Outer Crossbar **(G)** so the Side Bracket **(D)** mounting holes are aligned with the desktop pilot holes.

If you are using a desktop without pilot holes, mark hole locations and drill 0.375" (10mm) deep holes using a 0.125" (3mm) drill bit.

Make sure not to extend the Inner Crossbars past the slot cutouts on each side.

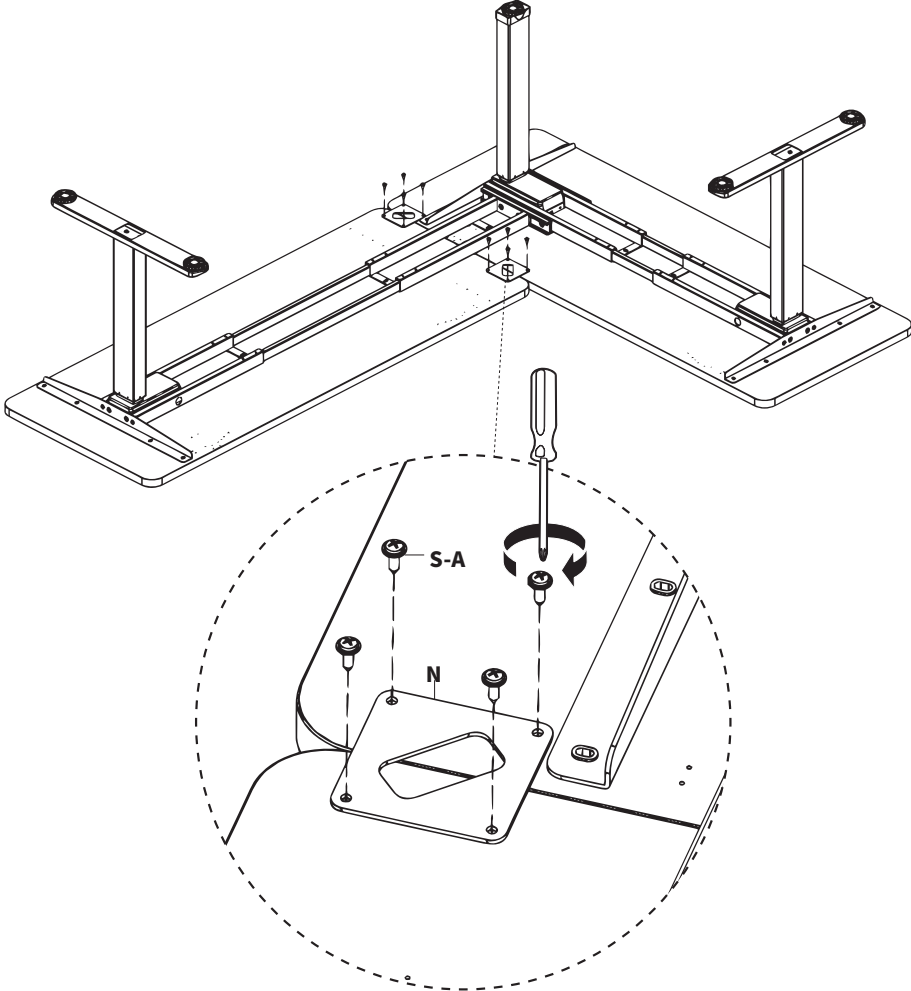


B-STEP 12: Secure Desktops

Place a Connecting Plate (**N**) on either side of the crossbar where 2 desktop panels meet. The location may vary from the image. Make sure the desktop edges are aligned and there is no gap between the panels.

Connect desktop panels using Connecting Plates (**N**), ST5x16mm Screws (**S-A**), and a Phillips screwdriver. Extra force on the screwdriver will be required to pierce the desktop surface.

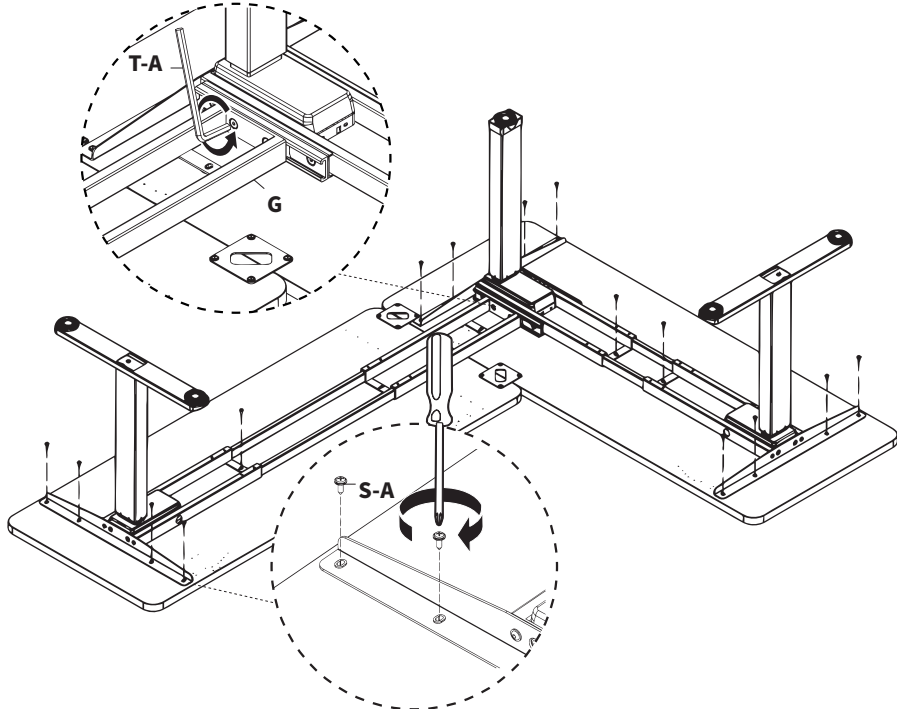
Please Note: For easier mounting, drive screws directly into the desktop using a drill or mark hole locations and drill 0.375" (10mm) deep holes using a 0.125" (3mm) drill bit.



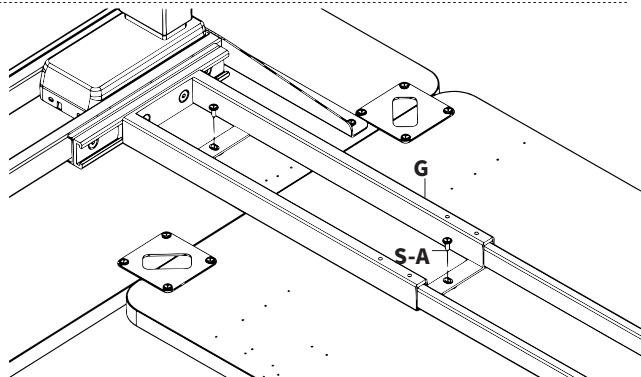
B-STEP 13: Connect Frame to Desktop

Secure the frame sections, excluding the adjustable Outer Crossbar (**G**), to the desktop using ST5x16mm Screws (**S-A**) and a Phillips screwdriver. Adjust the position of Outer Crossbar (**G**) as needed and fully tighten screws using 5mm Allen Wrench (**T-A**).

Please Note: Some mounting locations may not be predrilled, in this case, extra force on the screwdriver will be required to pierce the desktop surface. For easier mounting, drive screws directly into the desktop using a drill or mark hole locations and drill 0.375" (10mm) deep holes using a 0.125" (3mm) drill bit.



Secure the remaining frame mounting points on Outer Crossbar (**G**) using ST5x16mm Screws (**S-A**) and a Phillips screwdriver.



S-A (x17)
ST5x16mm Screw



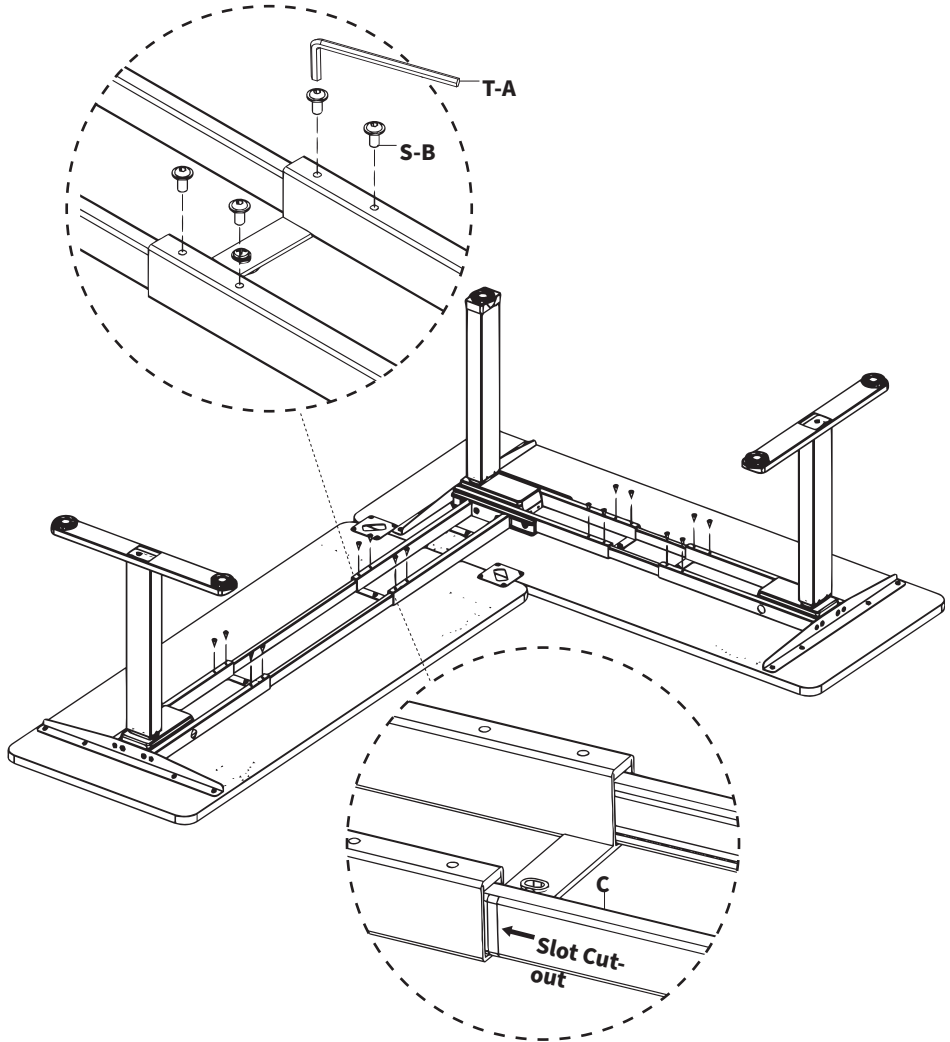
T-A (x1)
5mm Allen Wrench



B-STEP 14: Secure Outer Crossbar

Install M6x11mm Screws (**S-B**) onto Legs (**A, B**) and Outer Crossbar (**G**). Tighten screws using 5mm Allen Wrench (**T-A**) to secure the inner crossbars.

Please Note: Ensure the slot cutouts on Inner Crossbars (**C**) are right at or covered by the outer crossbars.



S-B (x16)
M6x11mm Screw

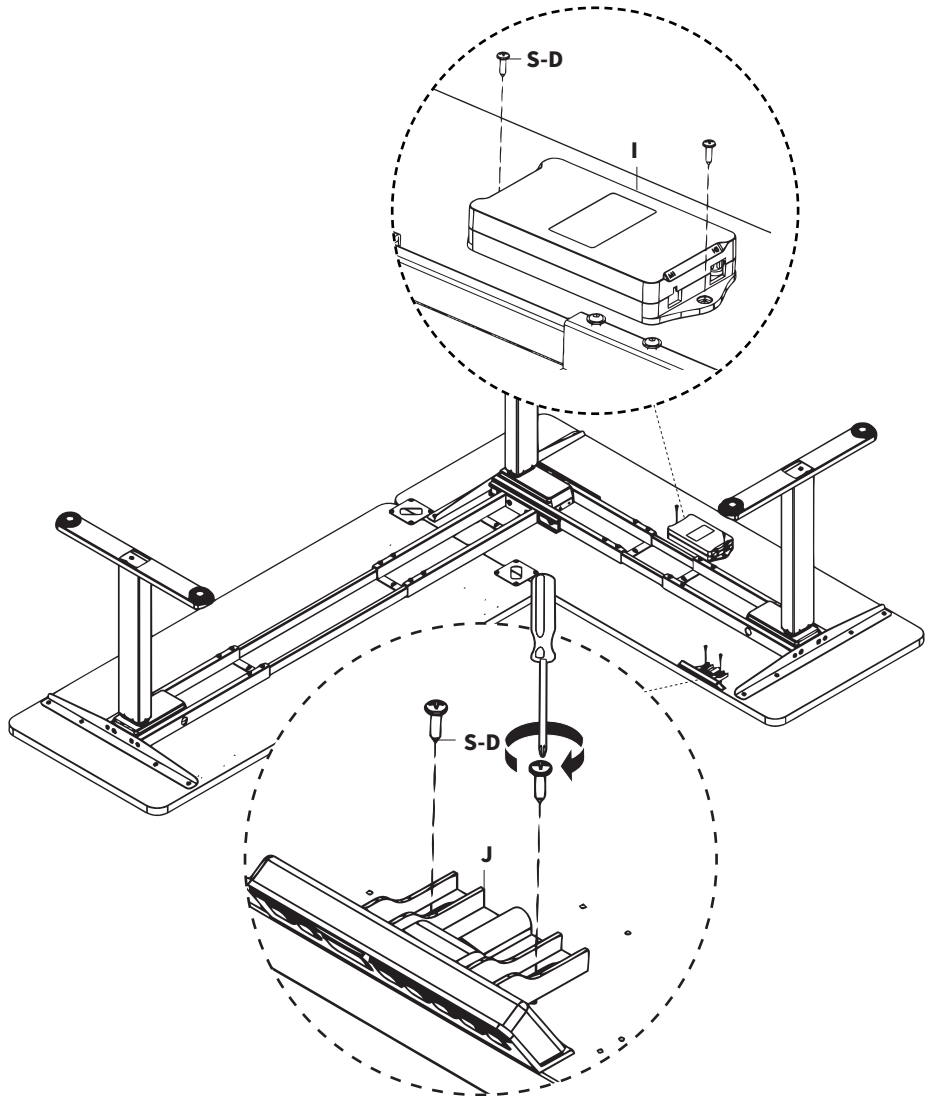


T-A (x1)
5mm Allen Wrench

B-STEP 15: Install Control Panel & Unit

Install Control Panel (**J**) and Control Unit (**I**) to desktop using ST4x15mm Screws (**S-D**) and a Phillips screwdriver. Extra force on the screwdriver will be required to pierce the desktop surface if pilot holes are not present.

Please Note: For easier mounting, drive screws directly into the desktop using a drill or mark hole locations and drill 0.375" (10mm) deep holes using a 0.125" (3mm) drill bit.



I (x1)
Control Unit



J (x1)
Control Panel

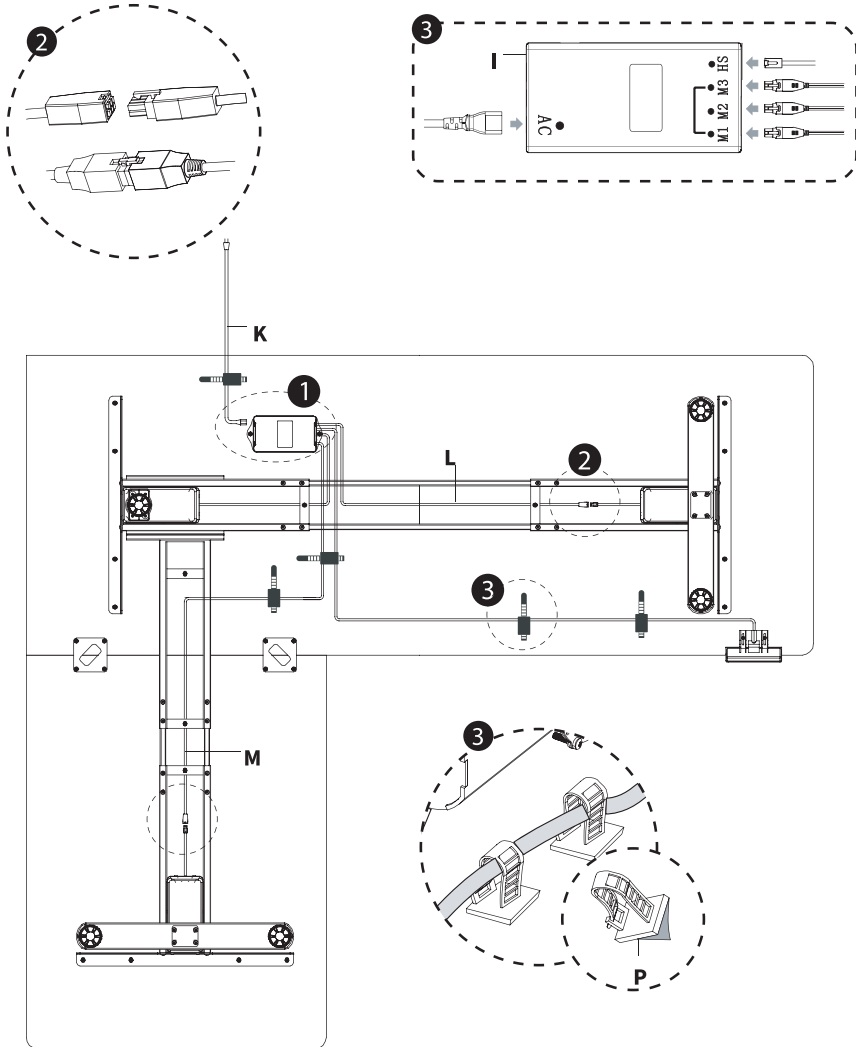


S-D (x4)
ST4x15mm Screw



B-STEP 16: Connect & Secure Cables

Connect Long Extension Cable (**M**) to the motor on the furthest leg from Control Unit (**I**). Connect Short Extension Cable (**L**) to the motor on the second farthest leg from Control Unit (**I**). Connect Short and Long Extension Cables (**M**, **L**) to Control Unit (**I**) along with the cable coming off of the closest leg. Connect Power Cable (**K**) to Control Unit (**I**) and a power source. Remove protective film from Cable Clips (**P**) and use them to cable manage.



K (x1)
Power Cable



L (x1)
Short Extension Cable



M (x1)
Long Extension Cable

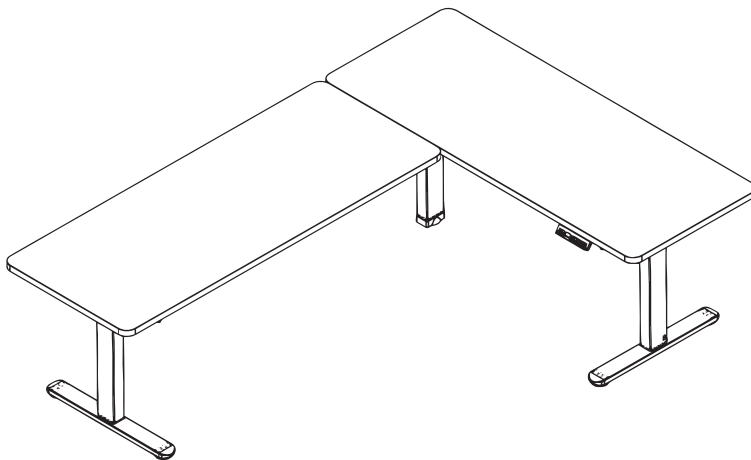
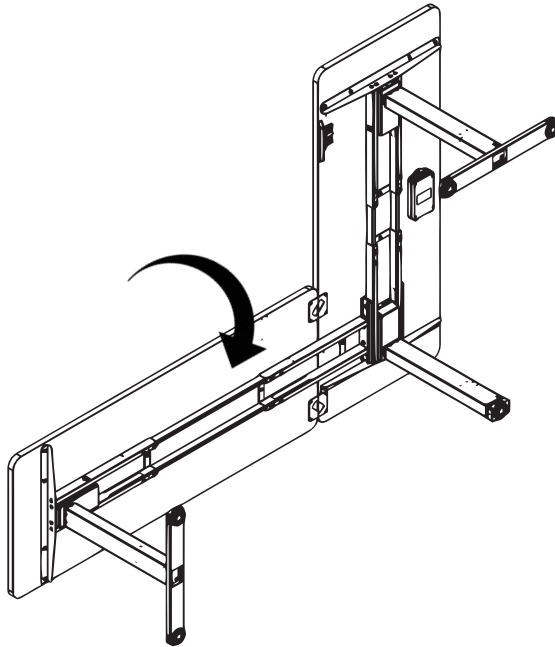


P (x4)
Cable Clip

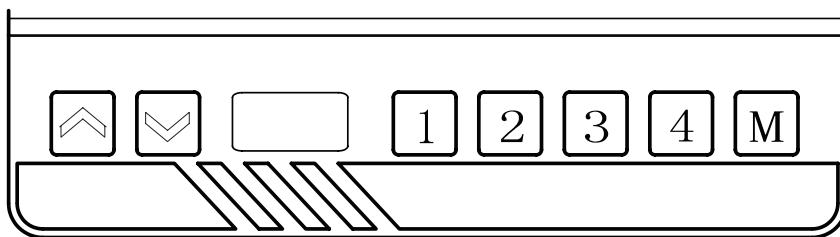
FINAL STEPS

STEP 17: Team Lift Required

Flip desk over pivoting on the extended side. Once flipped over halfway you can rest some of the weight on the foot and reposition your grip to flip the desk over the remaining distance.



CONTROLLER - Overview



OPERATING INSTRUCTIONS

****PLEASE NOTE** The Control Unit has a gyroscope sensor and MUST be attached to the desk for correction height adjustments.**

First Use

When the system is powered on, the existing desktop height will appear on the control panel.

Height Adjustment

Press and hold the up or down arrow until the desk reaches the desired height.

Memory Setting

To store a certain height in the controller's memory, first press "M". The current height will begin flashing on the display. Now press "1", "2", "3" or "4" within six seconds to store the current height in memory. Each number can store a different height. Once in memory, you can recall any of the four height settings by pressing the corresponding button. Touching any button will stop the automatic adjustment.

Reset Mode

While the unit is powered on, press the down arrow until the desk moves to the fully lowered position. Press and hold the down arrow for 5 seconds or until "rES" is displayed to enter reset mode. The desk will move down to the lowest possible height and then move back up slightly. The desk will then return to operating mode.

Power Saving Mode

When no actions are made for over 2 minutes, the system will enter power-saving mode. Touch any button to enter operating mode.

Function Mode

Press and hold the up and down arrows together until the desk beeps and moves to the fully lowered position. Press and hold the “M” button for 3 seconds, or until “S - -” begins flashing on the display. Press “M” again to enter Function mode. Within function mode, use the up and down buttons to scroll through settings, and use the “M” button to select options. If no action is taken for 20 seconds, the desk will return to operating mode.

- **Change Displayed Unit (Un):** Press and hold the “M” button for 3 seconds, then press the up or down buttons until the display shows “Un”, and press “M” to select. Press up or down to select “SI” (metric) or “In” (imperial). Hold “M” for 2 seconds to save the setting.
- **Change Brightness (br):** Press and hold the “M” button for 3 seconds, then press the up or down buttons until the display shows “br”, and press “M” to select. Press up or down to select Low (L), Normal (n) or High (H) brightness. Hold “M” for 2 seconds to save the setting.
- **Collision Force Detection (CF):** Press and hold the “M” button for 3 seconds, then press the up or down buttons until the display shows “CF”, and press “M” to select. Press up or down to select “OFF”, Low (L), Normal (n) or Heavy (H) collision force detection. Hold “M” for 2 seconds to save the setting.

Troubleshooting

Error Code	Description/Resolution
HOT	Heat Warning: Allow desk to rest for 18 minutes.
E10	Motor connection fault: Disconnect desk power, disconnect the motor, reconnect the motor, then reconnect power.
E20	Desk overload: Unplug desk for 10 seconds then reconnect to power.
E02	Obstacle protection. Desk will automatically move back 4cm after collision.
E31	Under-voltage (power brown out). Will clear automatically when line power is corrected.
E32	Over-voltage (power surge). Will clear automatically when line power is corrected.
E60	Legs are at different heights. Reset the desk to align the legs
RSR/RST	An error has occurred and entered reset mode for protection; complete reset process to clear error.

Important Notes

The unit will enter a **Self Protection Mode** should the system operate continuously in excess of 2 minutes with “HOT” on the controller display. The system will return to normal operation after approximately 18 minutes.

Do NOT remove or reconnect power to reset the unit when in a protective or “HOT” state, as this may damage the electronics.

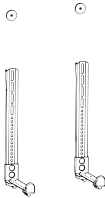
PLEASE NOTE: The Control Unit has a gyroscope sensor and MUST be attached to the desk for correction height adjustments.

CHECK OUT OTHER GREAT PRODUCTS FROM



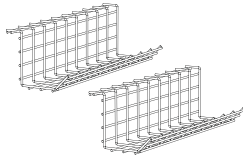
EXPLORE MORE AT VIVO-US.COM

We offer a wide array of home & office products to fit your needs. From height adjustable desks to monitor mounts to keyboard trays and more!



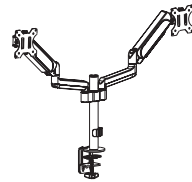
SPEAKER MOUNTS & STANDS

Whether you're mounting a soundbar or surround sound system, we've got a mounting solution to fit your needs



CABLE MANAGEMENT

Clean up tangled work spaces with our sleek cable management solutions!



MONITOR MOUNTS

From single monitor mounts to hex mount, grommet or clamp-ons, we've got a mounting solution for your setup.



WHO WE ARE



VIVO is more than a brand of ergonomic office furniture. We are a team of creative and innovative individuals working together to offer high quality, affordable ergonomic solutions. We think and work outside of the box to serve you, our customer, to the best of our ability.



Need Assistance?

We Would Love to Help!



Personable Customer Support | **Mon-Fri 7am-7pm**

We offer immediate assistance with rapid response times from customer service agents and product technicians to help you every step of the way!



Call Us: **309-278-5303**

Average Resolution Time: **5m 4s**



Chat Us: **www.vivo-us.com**

Average Resolution Time: **< 15m**



Email Us: **help@vivo-us.com**

Average Resolution Time: **1HR 8M**

23% within < 15m

38% within < 30m

61% within < 1hr

83% within < 2hr

92% within < 3hr



LOVE YOUR NEW VIVO SETUP?

Ready to share that new amazing setup? Want to brag about that amazing new ergonomic solution?

Tag us in your photo!



VIVO-us @vivo_us

FOR MORE GREAT VIVO PRODUCTS,
CHECK OUT OUR WEBSITE AT: WWW.VIVO-US.COM