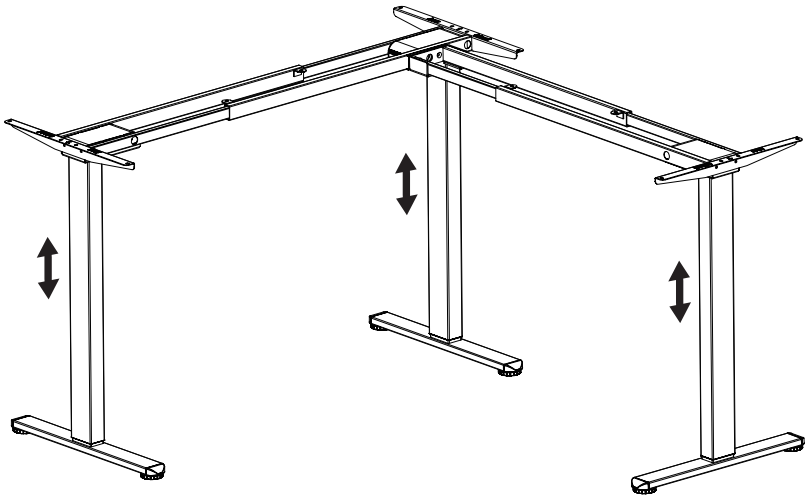




Electric Multi Motor Corner Desk Frame

Instruction Manual



SKU: DESK-V123EB/EW



Scan the QR code with your mobile device or follow the link for helpful videos and specifications related to this product.

<https://vivo-us.com/products/desk-v123eb>

GET IN TOUCH | Monday-Friday from 7:00am-7:00pm CST



help@vivo-us.com



www.vivo-us.com
Chat live with an agent!



309-278-5303

⚠️ WARNING!

If you do not understand these directions, or if you have any doubts about the safety of the installation, please call a qualified technician. Check carefully to make sure there are no missing or defective parts. Improper installation may cause damage or serious injury. Do not use this product for any purpose that is not explicitly specified in this manual and do not exceed weight capacity. We cannot be liable for damage or injury caused by improper mounting, incorrect assembly, or inappropriate use.

⚠️ ELECTRICAL SAFETY INSTRUCTIONS

THIS PRODUCT IS POWERED BY ELECTRICITY. IN ORDER TO AVOID BURNS, FIRE AND ELECTRIC SHOCK, PLEASE READ THE FOLLOWING INSTRUCTIONS CAREFULLY.

- DO NOT CLEAN PRODUCT WHILE POWER IS CONNECTED.
- DO NOT DISASSEMBLE OR REPLACE COMPONENTS WHILE POWER IS CONNECTED.
- NEVER OPERATE THE SYSTEM WITH A DAMAGED CORD OR PLUG. PLEASE CONTACT YOUR SELLER TO REPLACE DAMAGED PARTS.
- NEVER OPERATE SYSTEM IN DAMP ENVIRONMENTS OR IF ANY ELECTRICAL COMPONENTS HAVE MADE CONTACT WITH LIQUIDS.
- ALTERATIONS OF THE GIVEN POWER UNIT ARE NOT ALLOWED.
- OUTDOOR USE IS PROHIBITED.

⚠️ WARNING: CHOKING HAZARD

SMALL PARTS - NOT FOR CHILDREN UNDER 3 YEARS. ADULT SUPERVISION IS REQUIRED.

PACKAGE CONTENTS



A (x3)
Feet



B (x3)
Motorized Leg



C (x3)
Side Bracket



D (x1)
Extension Connector



E (x2)
Outer Crossbar



F (x3)
Inner Crossbar



G (x1)
Crossbar With Plate



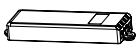
H (x1)
Outer Extension Crossbar



I (x1)
Inner Extension Crossbar



J (x1)
Controller



K (x1)
Control Unit



L (x1)
Power Cable



M (x1)
Short Extension Cable



N (x1)
Long Extension Cable



O (x2)
Tabletop Connector



P (x18)
Anti-Vibration Pad



Q (x6)
Cable Clip



R (x6)
Foot Pad



S-A (x26)
M5x16mm Screw



S-B (x32)
M6x11mm Screw



S-C (x3)
M8x12mm Screw



S-D (x5)
M5x16mm Screw



S-E (x14)
M6x35mm Screw



T-A (x1)
5mm Allen Wrench

NOTE: Extras of each screw size have been included, desktop not included
(2-section corner desktop shown only for reference)

DO NOT EXCEED WEIGHT CAPACITY.
Failure to do so may result in serious injury.



TOOLS NEEDED



Drill

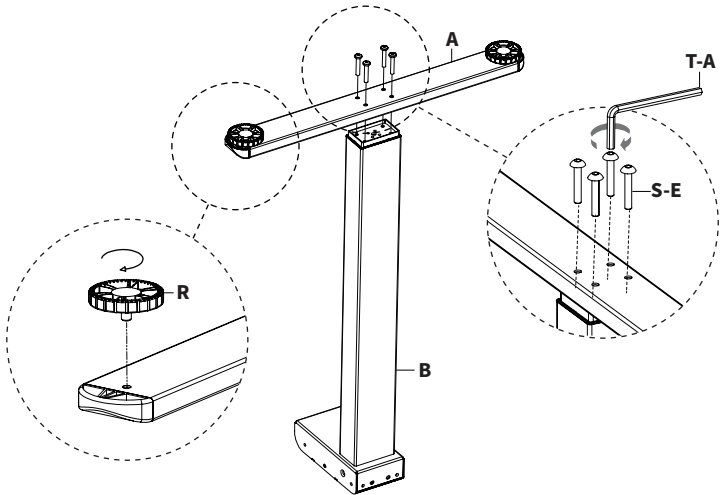


Phillips
Screwdriver

ASSEMBLY STEPS

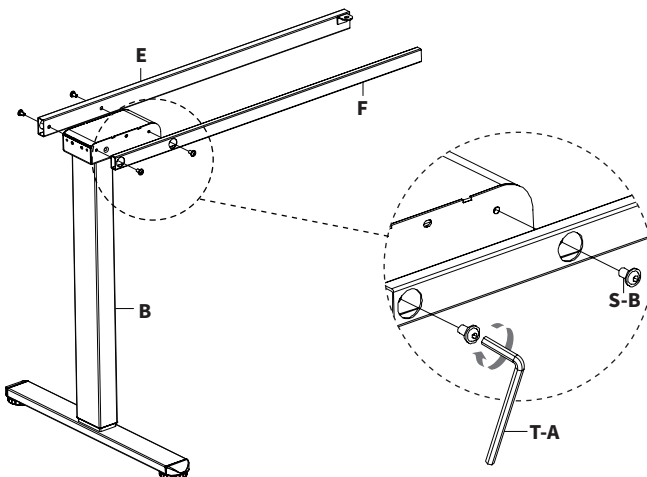
STEP 1

Attach Feet **(A)** to the underside of Motorized Legs **(B)** using M6x35mm Screws **(S-E)** and 5mm Allen Wrench **(T-A)**. Thread Foot Pads **(R)** into underside of Feet **(A)**.



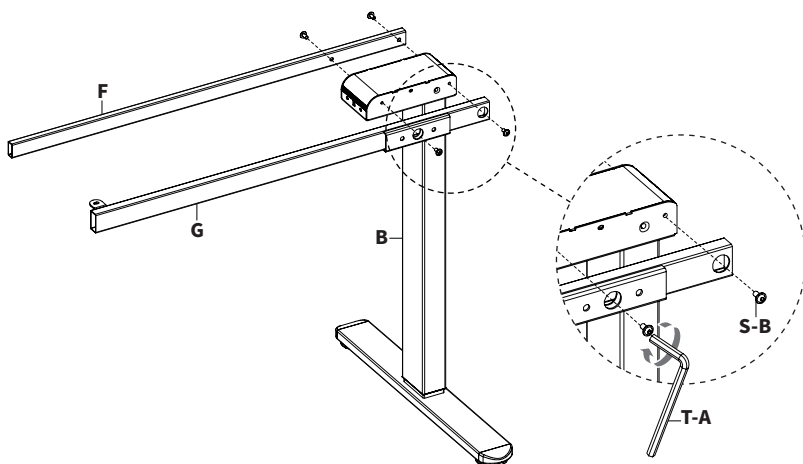
STEP 2

Connect Outer Crossbar **(E)** and Inner Crossbar **(F)** to one Motorized Leg **(B)** using M6x11mm Screws **(S-B)** and 5mm Allen Wrench **(T-A)**.



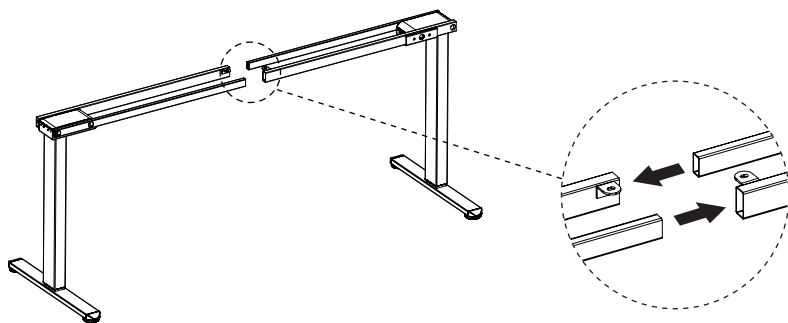
STEP 3

Connect Inner Crossbar (**F**) and Crossbar With Plate (**G**) to another Motorized Leg (**B**) using M6x11mm Screws (**S-B**) and 5mm Allen Wrench (**T-A**).

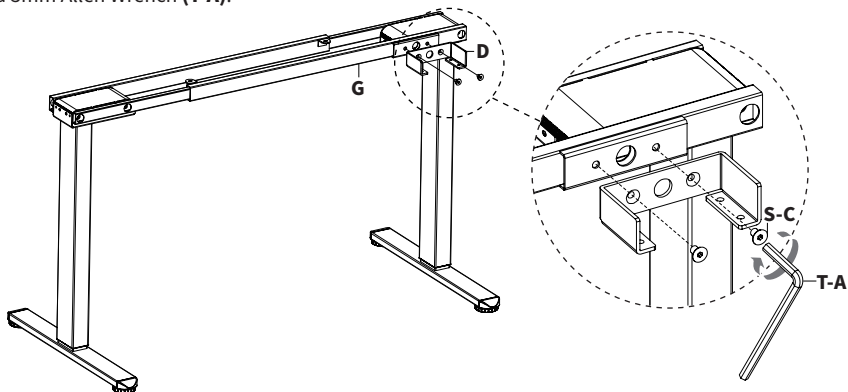


STEP 4

Slide crossbars from leg assemblies together. These will be secured in a later step.

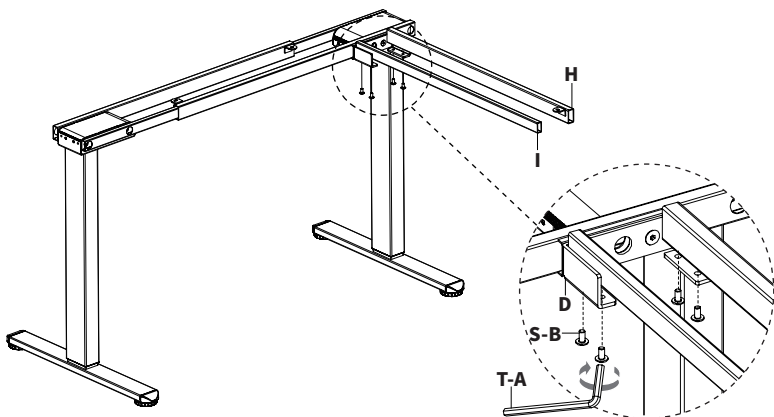


Secure Extension Connector (**D**) to the side of Crossbar With Plate (**G**) using M8x12mm Screws (**S-C**) and 5mm Allen Wrench (**T-A**).

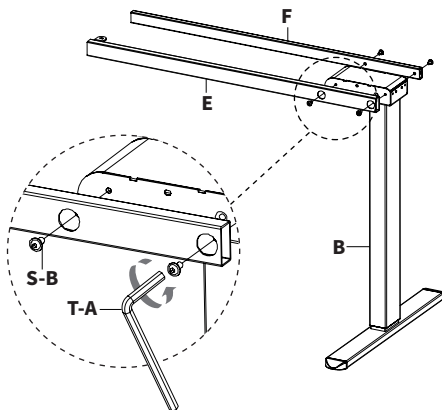


STEP 5

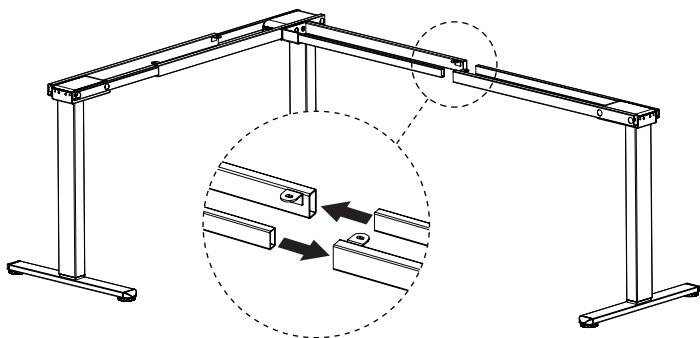
Connect Outer Extension Crossbar (**H**) and Inner Extension Crossbar (**I**) to Extension Connector (**D**) using M6x11mm Screws (**S-B**) and 5mm Allen Wrench (**T-A**).



Assemble Inner Crossbar (**F**) and Outer Crossbar (**E**) to remaining Motorized Leg (**B**) using M6x11mm Screws (**S-B**) and 5mm Allen Wrench (**T-A**).

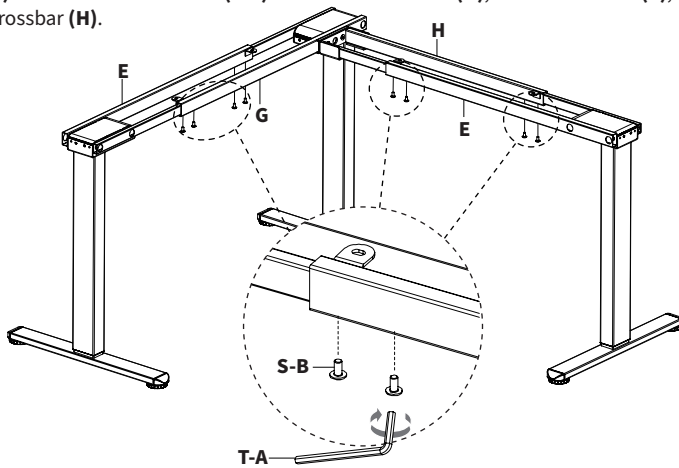


Slide crossbars of third leg assembly onto the existing assembly to form a corner frame shape. These will be secured in a later step.



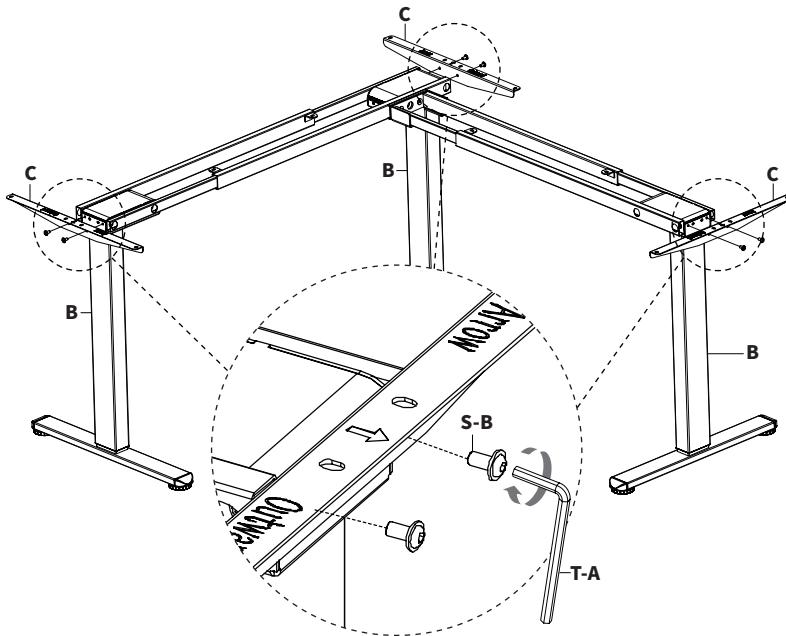
STEP 6

Adjust frame to fit desired desktop size and secure the following crossbars in place using M6x11mm Screws (**S-B**) and 5mm Allen Wrench (**T-A**): Crossbar With Plate (**G**), Outer Crossbars (**E**), and Outer Extension Crossbar (**H**).



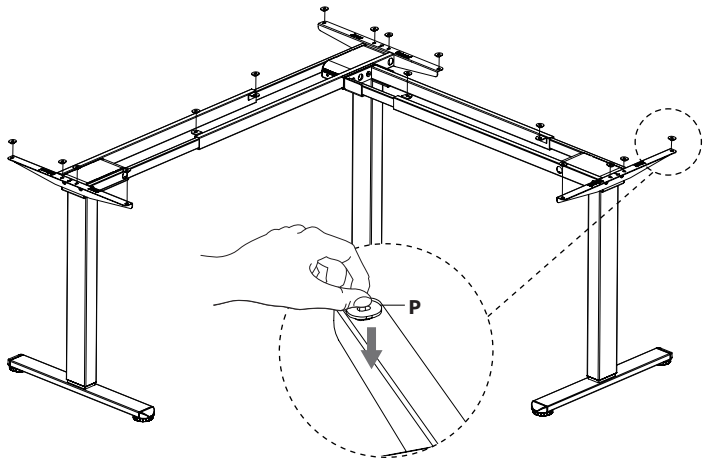
STEP 7

Attach Side Brackets (**C**) to outside edge of Motorized Legs (**B**) using M6x11mm Screws (**S-B**) and 5mm Allen Wrench (**T-A**).



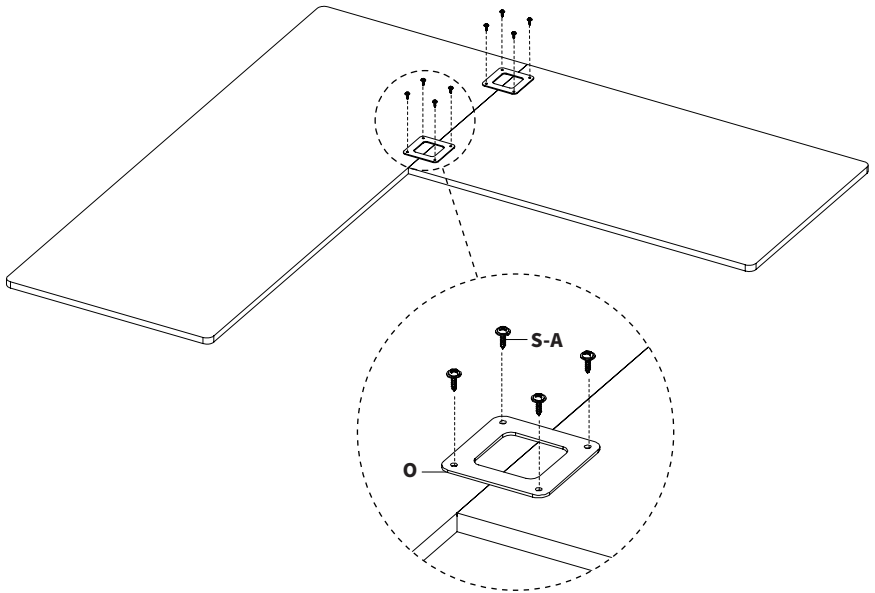
STEP 8

Attach Anti-Vibration Pads (**P**) to desktop mounting holes in the side brackets and crossbars.



Optional

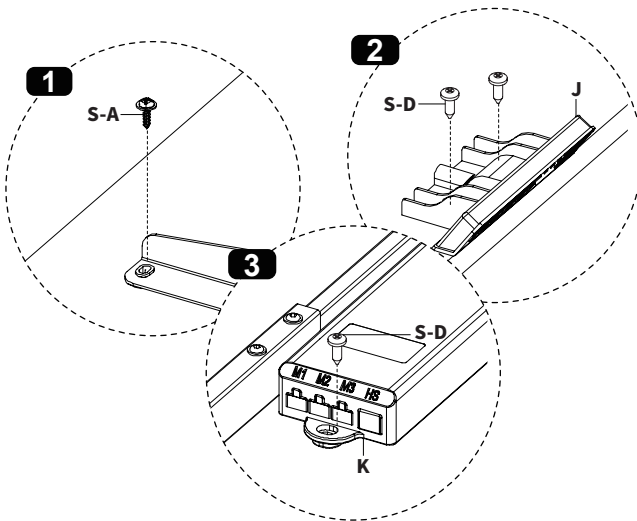
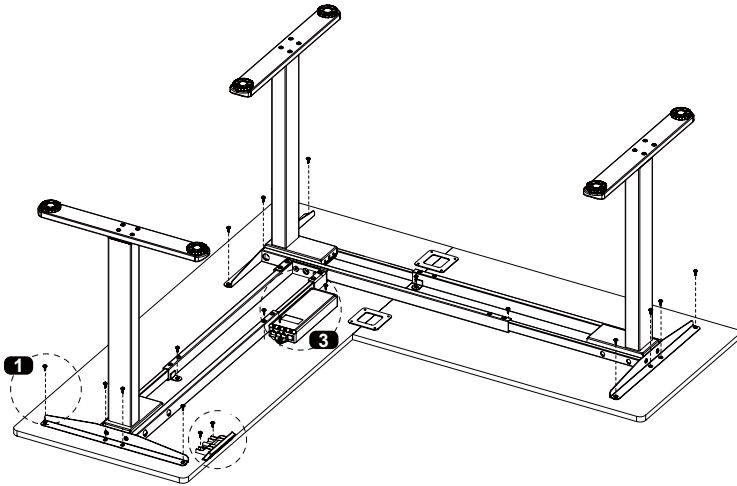
If needed, use provided Tabletop Connectors (**O**) and M5x16mm Screws (**S-A**) to secure desktop pieces together. **Note:** Desktop is not provided.



STEP 9

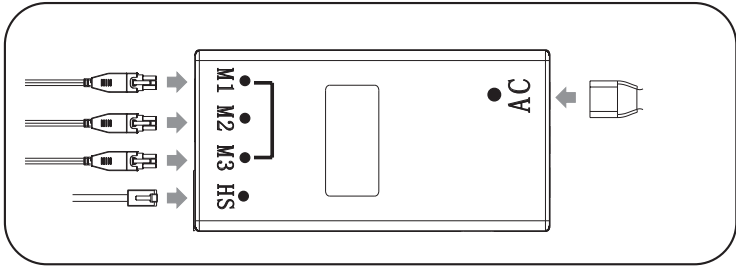
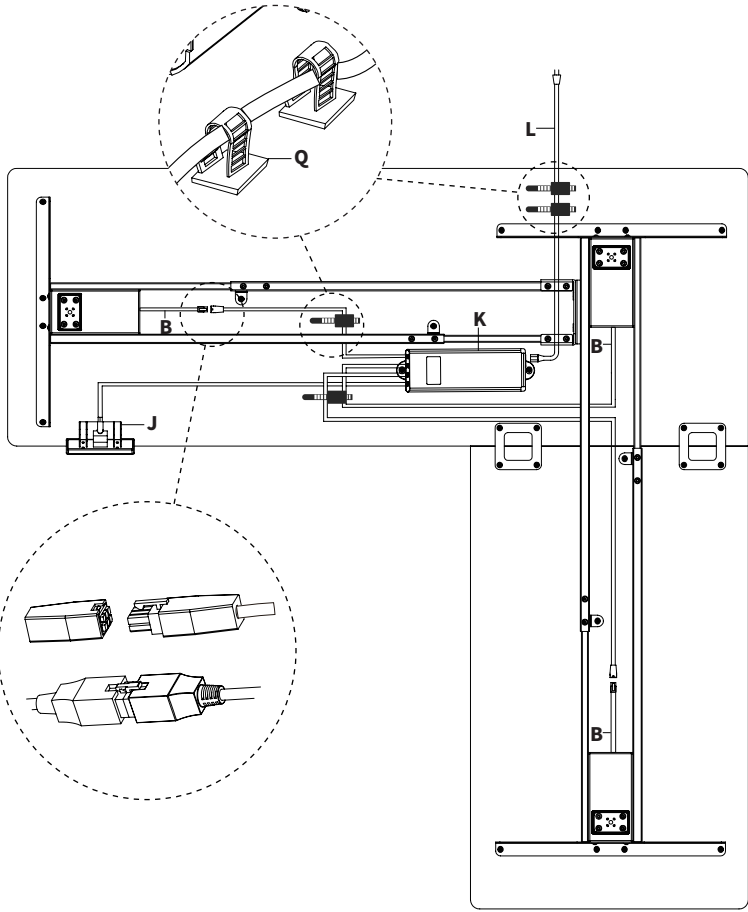
Place assembled frame upside down on the desktop. Drill 10mm deep pilot holes using a 1/8" (3mm) drill bit, and secure using M5x16mm Screws (**S-A**) and a Phillips screwdriver.

Mark screw locations for Controller (**J**) and Control Unit (**K**), making sure the controller cable is able to reach the box, then drill 10mm deep pilot holes using a 1/8" (3mm) drill bit. Mount Controller (**J**) and Control Unit (**K**) using M5x16mm Screws (**S-D**). Tighten all screws with a Phillips screwdriver.



STEP 10

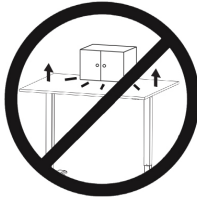
Connect cables from Controller (**J**) and Motorized Legs (**B**) to the Control Unit (**K**). If needed, use Extension Cables (**M, N**) to connect legs. Connect Power Cable (**L**) to Control Unit (**K**) and plug into an AC power outlet. Adjust Foot Pads (**R**) to sit level if necessary. Add Cable Clips (**Q**) as needed.



⚠ CAUTION!



Do not exceed desk weight limit.



Keep area of vertical motion free of obstacles.



Keep weight on desk balanced for correct operation and longer life of components.



Leave enough slack in cables to allow for full range of vertical motion.

Failure to follow these instructions may result in property damage and/or personal injury.

THIS PAGE INTENTIONALY LEFT BLANK



Open **Monday - Friday 7:00am - 7:00pm** CST,
our dedicated support team can offer immediate assistance with rapid response times. If any parts are received damaged or defective, please contact us. We are happy to replace parts to ensure you have a fully functioning product.



309-278-5303

AVG. RESOLUTION TIME (*within office hrs*): **5M 4S**



www.vivo-us.com
Chat live with an agent!

AVG. RESOLUTION TIME (*within office hrs*): **< 15 M**



help@vivo-us.com

AVG. RESPONSE TIME (*within office hrs*): **1HR 8M**

- 23% within < 15m
- 38% within < 30m
- 61% within < 1hr
- 83% within < 2hr
- 92% within < 3hr