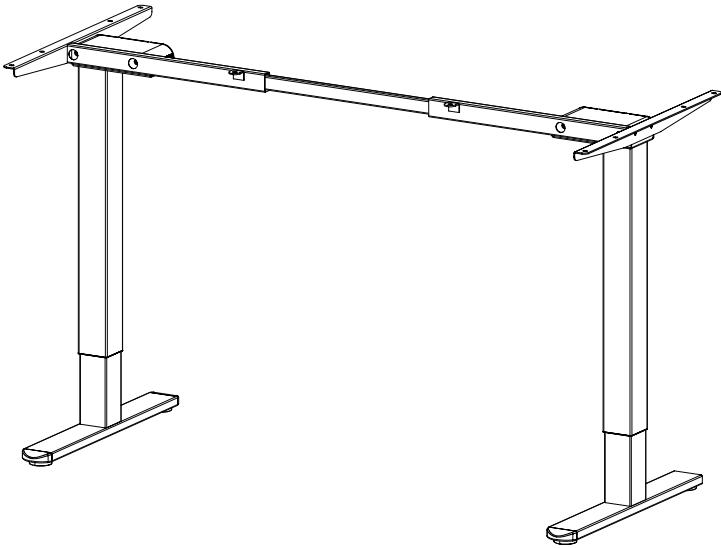




Electric Dual Motor Desk Frame

Instruction Manual



SKU: DESK-V122EB/EW



Scan the QR code with your mobile device or follow the link for helpful videos and specifications related to this product.

<https://vivo-us.com/products/desk-v122eb>

GET IN TOUCH | Monday-Friday from 7:00am-7:00pm CST



help@vivo-us.com



www.vivo-us.com
Chat live with an agent!



309-278-5303

⚠️ WARNING!

If you do not understand these directions, or if you have any doubts about the safety of the installation, please call a qualified technician. Check carefully to make sure there are no missing or defective parts. Improper installation may cause damage or serious injury. Do not use this product for any purpose that is not explicitly specified in this manual and do not exceed weight capacity. We cannot be liable for damage or injury caused by improper mounting, incorrect assembly, or inappropriate use.

⚠️ ELECTRICAL SAFETY INSTRUCTIONS

THIS PRODUCT IS POWERED BY ELECTRICITY. IN ORDER TO AVOID BURNS, FIRE AND ELECTRIC SHOCK, PLEASE READ THE FOLLOWING INSTRUCTIONS CAREFULLY.

- DO NOT CLEAN PRODUCT WHILE POWER IS CONNECTED.
- DO NOT DISASSEMBLE OR REPLACE COMPONENTS WHILE POWER IS CONNECTED.
- NEVER OPERATE THE SYSTEM WITH A DAMAGED CORD OR PLUG. PLEASE CONTACT YOUR SELLER TO REPLACE DAMAGED PARTS.
- NEVER OPERATE SYSTEM IN DAMP ENVIRONMENTS OR IF ANY ELECTRICAL COMPONENTS HAVE MADE CONTACT WITH LIQUIDS.
- ALTERATIONS OF THE GIVEN POWER UNIT ARE NOT ALLOWED.
- OUTDOOR USE IS PROHIBITED.

⚠️ WARNING: CHOKING HAZARD

SMALL PARTS - NOT FOR CHILDREN UNDER 3 YEARS. ADULT SUPERVISION IS REQUIRED.

PACKAGE CONTENTS

A (x1) Left Crossbar	B (x1) Right Crossbar	C (x2) Foot	D (x2) Leg	E (x2) Side Bracket
F (x1) Crossbar	G (x12) Rubber Pad	H (x1) Control Panel	I (x1) AC Adapter	J (x2) Cable Clip
S-A (x22) M6x11mm Screw	S-B (x4) M3.5x19mm Screw	S-C (x12) M5x16mm Screw	T-A (x1) 5mm Allen Wrench	

NOTE: x2 extras of each screw size have been included.

DO NOT EXCEED WEIGHT CAPACITY.

Failure to do so may result in serious injury.



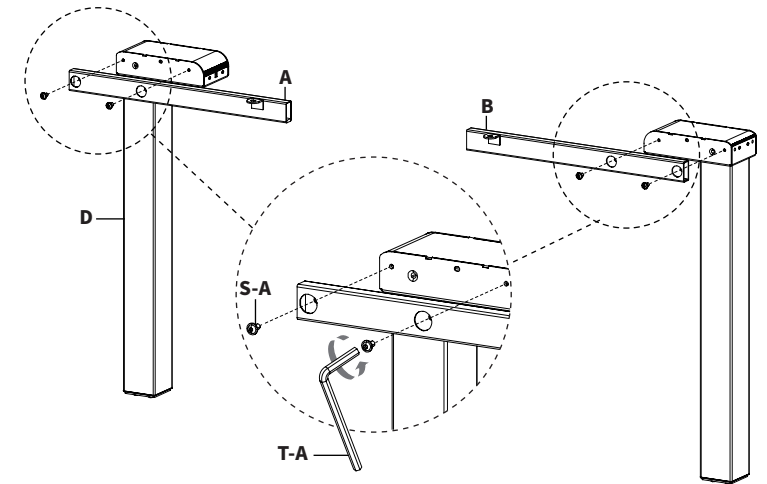
TOOLS NEEDED

Phillips Screwdriver	Drill

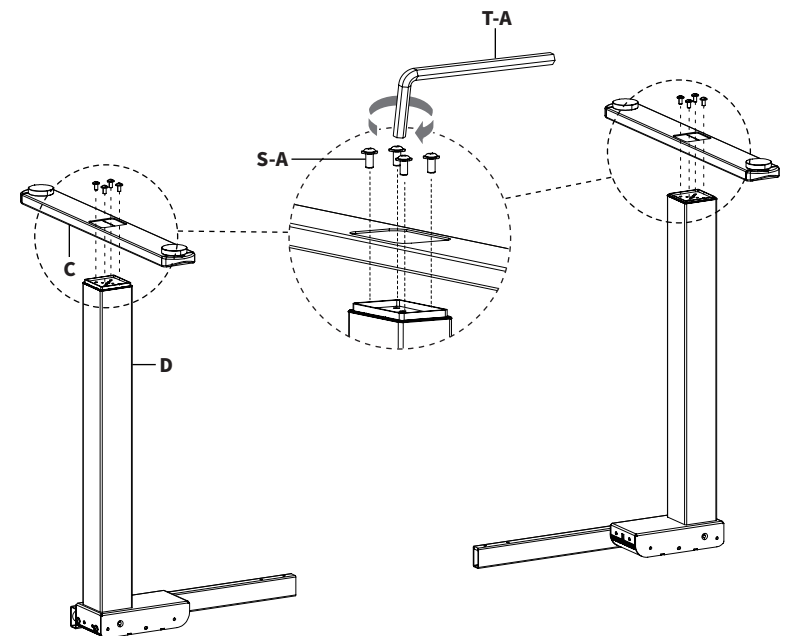
ASSEMBLY STEPS

STEP 1

Attach Left Crossbar (**A**) and Right Crossbar (**B**) to Legs (**D**) using M6x11mm Screws (**S-A**) and 5mm Allen Wrench (**T-A**).

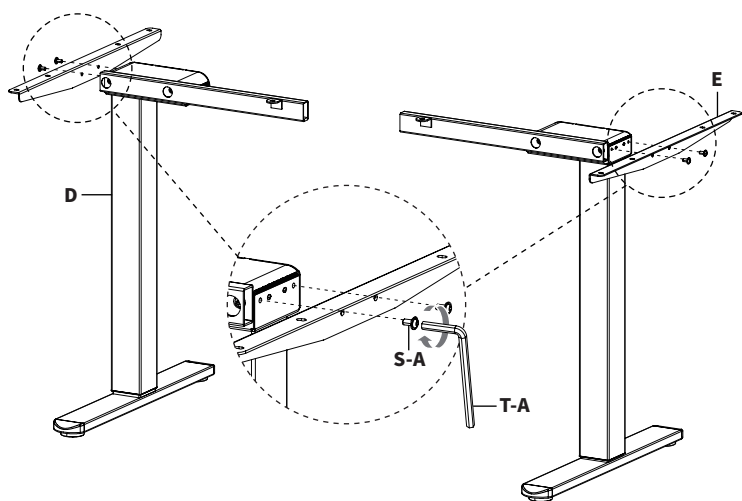


Turn leg assemblies upside down and connect Feet (**C**) to Legs (**D**) using M6x11mm Screws (**S-A**) and 5mm Allen Wrench (**T-A**).



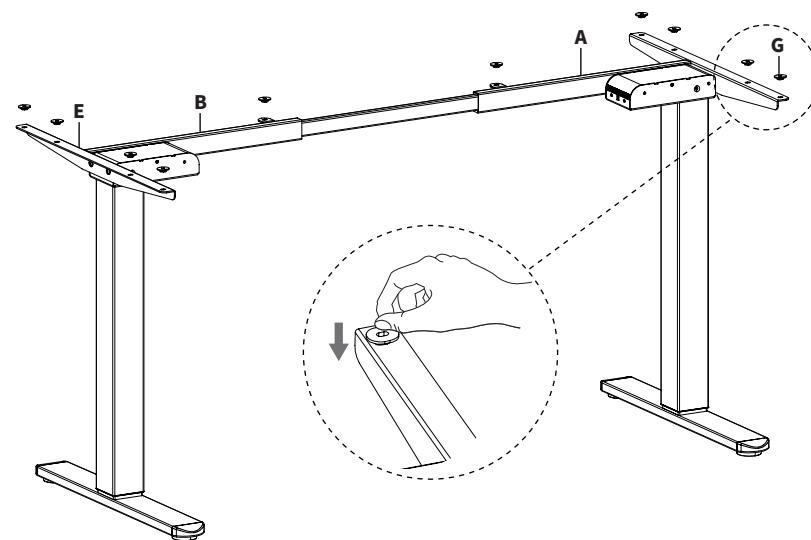
STEP 2

Install Side Brackets (E) to Legs (D) using M6x11mm Screws (S-A) and 5mm Allen Wrench (T-A).



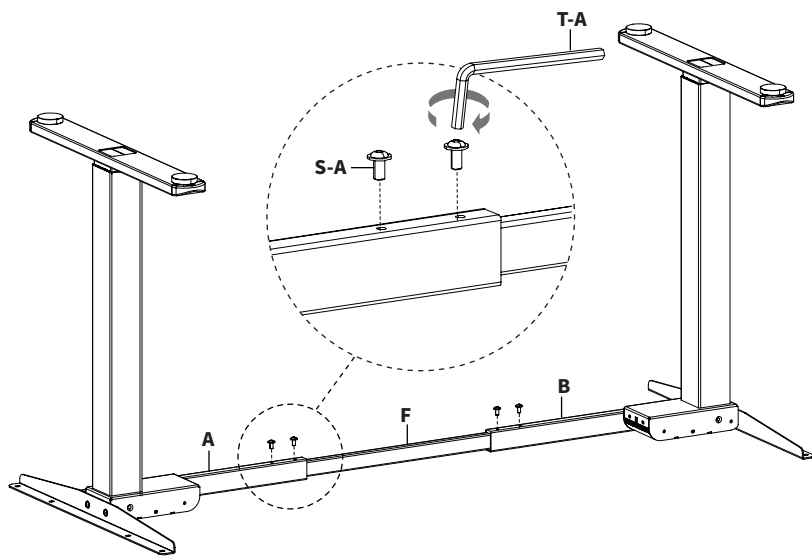
STEP 4

Insert Rubber Pads (G) into desktop mounting holes in Left Crossbar (A), Right Crossbar (B), and Side Brackets (E).



STEP 3

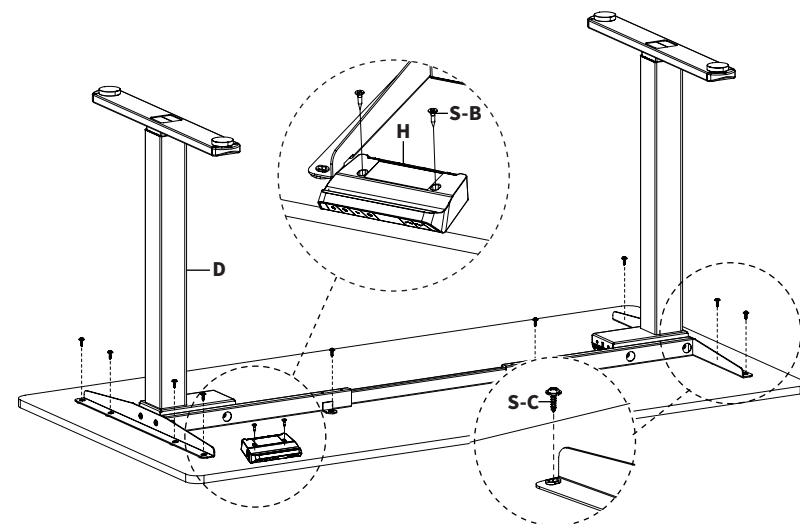
Insert Crossbar (F) into Left Crossbar (A) and Right Crossbar (B). Adjust the desk frame assembly to the desired length and then insert M6x11 Screws (S-A) into Left Crossbar (A) and Right Crossbar (B). Tighten using 5mm Allen Wrench (T-A).



STEP 5

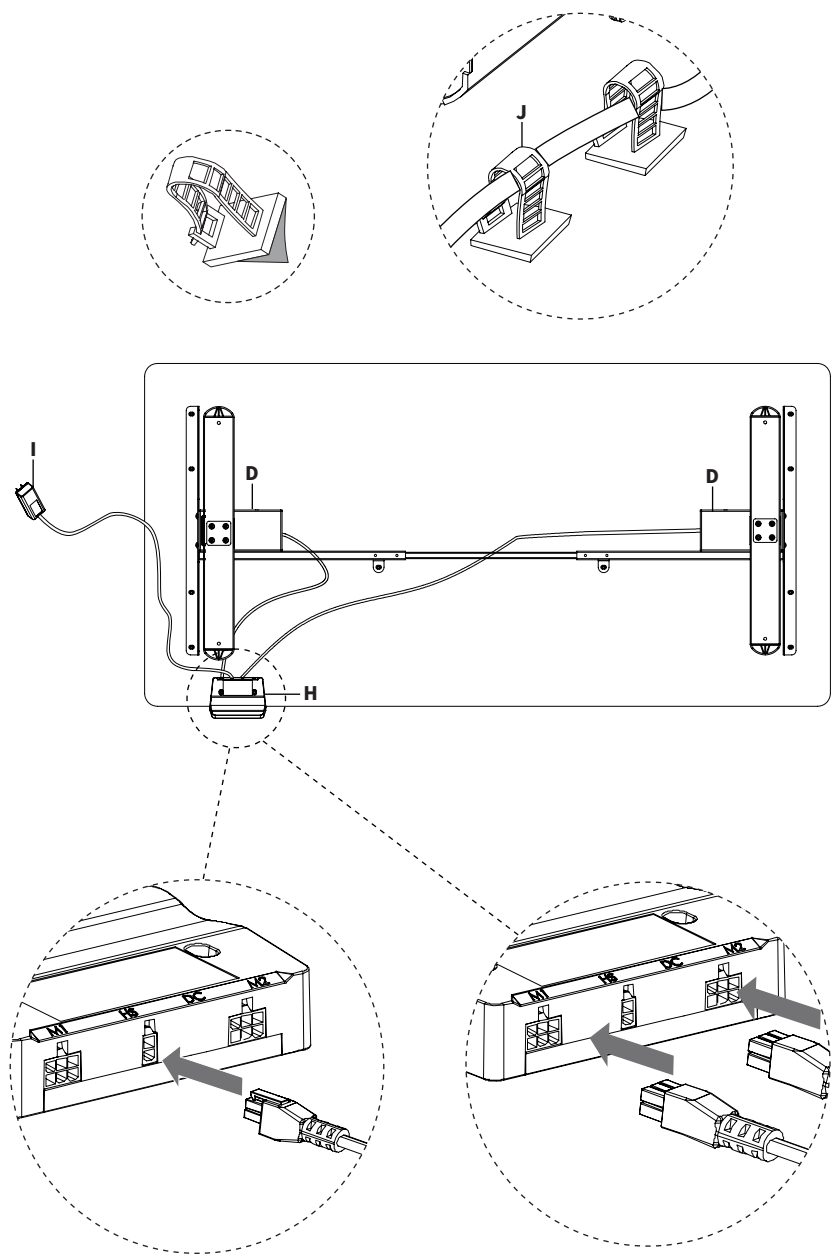
Place the assembled frame upside down on the desktop. Adjust width as needed. If not using a VIVO desktop with pre-drilled holes, drill 10mm deep pilot holes using a 1/8" (3mm) drill bit. Secure the frame to the tabletop using M5x16mm Screws (S-C). Tighten with a Phillips screwdriver.

Place Control Panel (H) at the desired location, making sure the cables from Legs (D) are able to reach the Control Panel (H). If not using a VIVO desktop with pre-drilled holes, mark drilling locations, and drill 10mm deep pilot holes using a 1/8" (3mm) drill bit. Mount Control Panel (H) using M3.5x19mm Screws (S-B). Tighten all screws with a Phillips screwdriver.

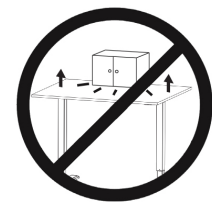


STEP 6

Connect AC Adapter (I) and cables from Legs (D) to Control Panel (H), as shown below. Turn the desk right side up and plug AC Adapter (I) into an AC power outlet. Manage cables using Cable Clips (J). Refer to Controller User Guide for operational instructions.



CAUTION!



Failure to follow these instructions may result in property damage and/or personal injury.



Open **Monday - Friday 7:00am - 7:00pm** CST,
our dedicated support team can offer immediate assistance with rapid response times. If any parts are received damaged or defective, please contact us. We are happy to replace parts to ensure you have a fully functioning product.



309-278-5303

AVG. RESOLUTION TIME (*within office hrs*): **5M 4S**



www.vivo-us.com
Chat live with an agent!

AVG. RESOLUTION TIME (*within office hrs*): **< 15 M**



help@vivo-us.com

AVG. RESPONSE TIME (*within office hrs*): **1HR 8M**

- 23% within < 15m
- 38% within < 30m
- 61% within < 1hr
- 83% within < 2hr
- 92% within < 3hr