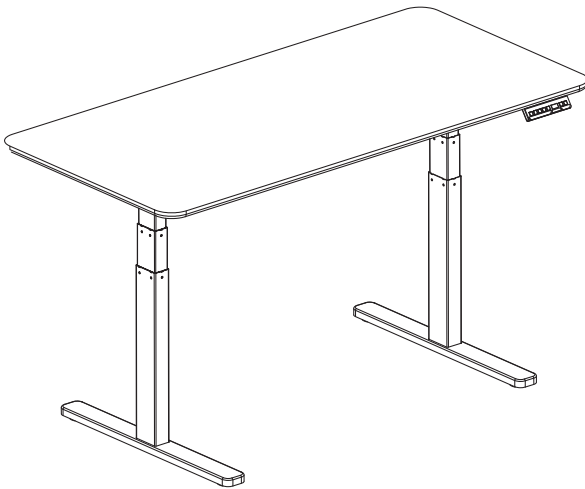




White Electric Dual Motor Desk Frame

Instruction Manual



SKU: DESK-V120EW



Scan the QR code with your mobile device or follow the link for helpful videos and specifications related to this product.

<https://vivo-us.com/products/desk-v120ew>



help@vivo-us.com



www.vivo-us.com



1-800-371-5654

WARNING!

If you do not understand these directions, or if you have any doubts about the safety of the installation, please call a qualified technician. Check carefully to make sure there are no missing or defective parts. Improper installation may cause damage or serious injury. Do not use this product for any purpose that is not explicitly specified in this manual and do not exceed weight capacity. We cannot be liable for damage or injury caused by improper mounting, incorrect assembly, or inappropriate use.

ELECTRICAL SAFETY INSTRUCTIONS

THIS PRODUCT IS POWERED BY ELECTRICITY. IN ORDER TO AVOID BURNS, FIRE AND ELECTRIC SHOCK, PLEASE READ THE FOLLOWING INSTRUCTIONS CAREFULLY.

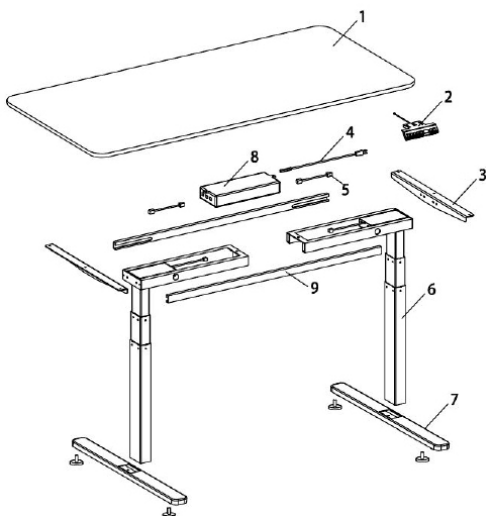
- DO NOT CLEAN PRODUCT WHILE POWER IS CONNECTED.
- DO NOT DISASSEMBLE OR REPLACE COMPONENTS WHILE POWER IS CONNECTED.
- NEVER OPERATE THE SYSTEM WITH A DAMAGED CORD OR PLUG. PLEASE CONTACT YOUR SELLER TO REPLACE DAMAGED PARTS.
- NEVER OPERATE SYSTEM IN DAMP ENVIRONMENTS OR IF ANY ELECTRICAL COMPONENTS HAVE MADE CONTACT WITH LIQUIDS.
- ALTERATIONS OF THE GIVEN POWER UNIT ARE NOT ALLOWED.
- OUTDOOR USE IS PROHIBITED.

WARNING: CHOKING HAZARD

SMALL PARTS - NOT FOR CHILDREN UNDER 3 YEARS. ADULT SUPERVISION IS REQUIRED.

PACKAGE CONTENTS

1 (x1) Desktop (Not Included)	6 (x2) Leg with Frame
2 (x1) Control Panel	7 (x2) Foot
3 (x2) Side Bracket	8 (x1) Control Unit
4 (x1) Power Cord	9 (x2) Crossbar
5 (x2) Extension Cord	



A (x14)
M5x16



B (x18)
M6x12



C (x8)
M6x16



D (x4)
Foot Pad



E (x1)
4mm Allen
Wrench



F (x5)
Cable Clip

Note: Some hardware included may not be used.

! WARNING

PINCH POINT

DO NOT place hands on or near support bars. Moving parts can crush and cut. Pinch points are created during lifting and lowering the worksurface. Failure to follow these instructions may result in serious personal injury.



TOOLS NEEDED



Phillips
Screwdriver

DO NOT EXCEED WEIGHT CAPACITY.

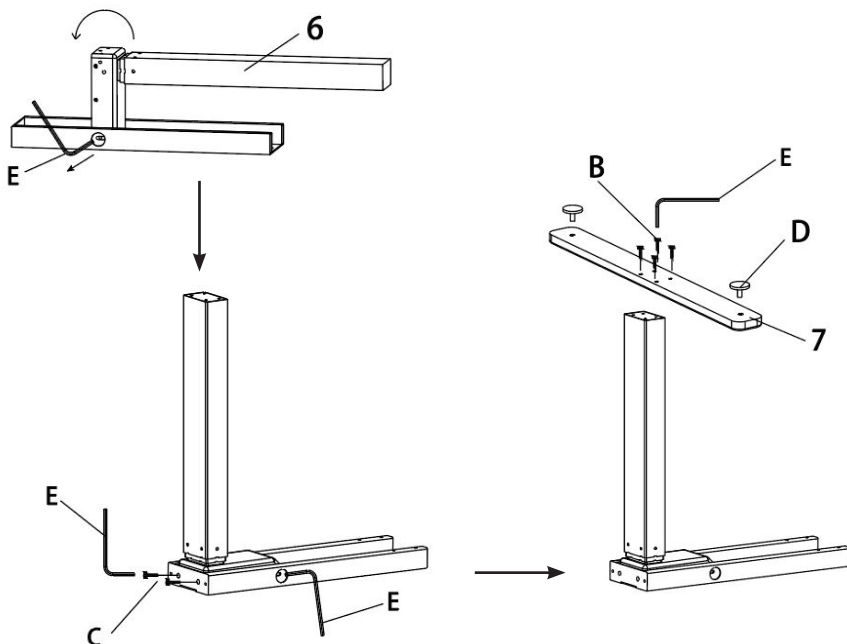
Failure to do so may result in serious injury.



ASSEMBLY STEPS

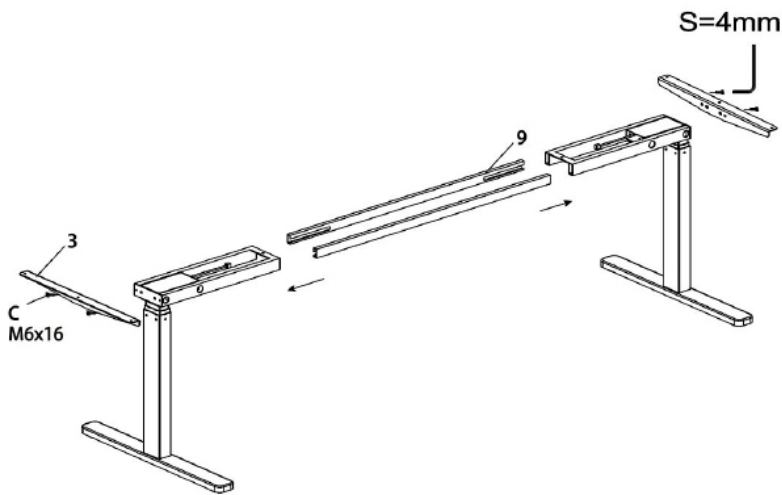
STEP 1

Loosen, but do not remove, screws in legs (6). Tilt legs up and into frames and secure each leg with two M6x16 screws (C) using Allen wrench (E). Attach feet (7) to legs using four M6x12 screws (B) for each, then tighten with Allen wrench. Remove protective film from foot pads (D) and install pads into feet.



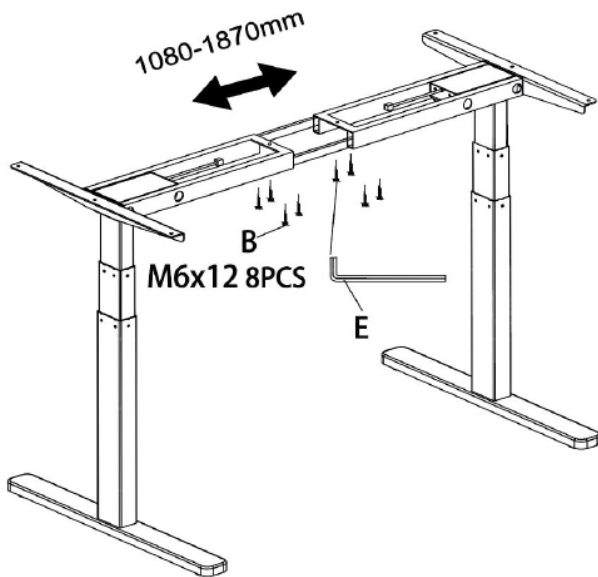
STEP 2

Turn assembled legs with frames right side up, then slide the crossbars (9) into the frames. Attach the side brackets (3) to the frames using four M6x16 screws (C) and tighten with the Allen wrench (E).



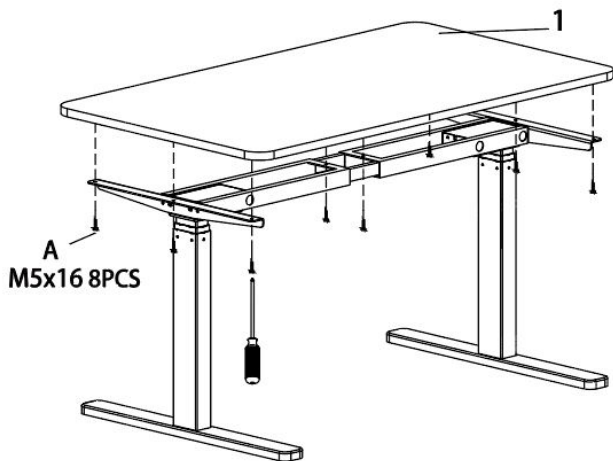
STEP 3

Adjust the width of the frame to fit your desktop. Tighten eight M6x12 screws (B) into the underside of the frames (6) to secure the adjusted length.



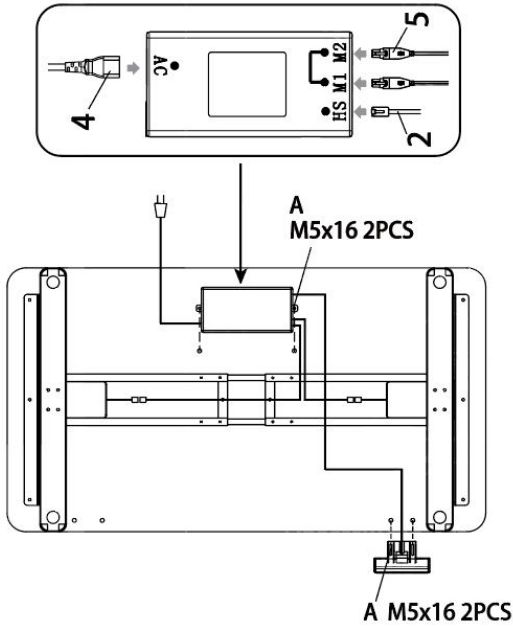
STEP 4

Attach your desktop (**1**) to the assembled desk frame using eight M5x16 screws (**A**).



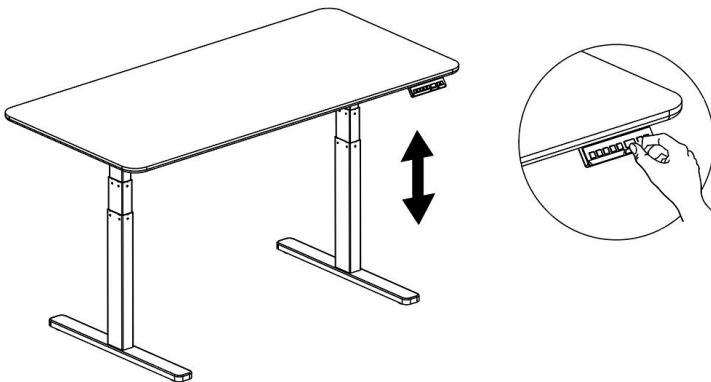
STEP 5

Remove the protective film from the control panel (2). Mount the control panel and control unit (8) to the underside of the desktop using four M5x16 screws (A). Use the extension cords (5) to connect the motors to the control unit, then connect the control panel and power cord (4). Attach cable clip (F) where desired.

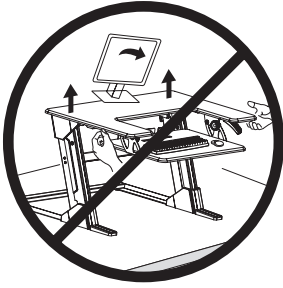


STEP 6

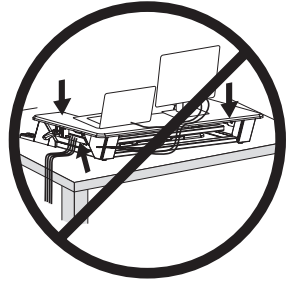
Plug the power cable into an AC wall outlet, then use the control panel to adjust the height.



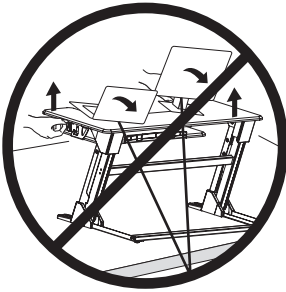
 **CAUTION!**



Keep monitor and laptop base fully on the desktop.



Follow the cable routing instructions to avoid the potential to pinch cables.



Leave enough slack in cable to allow for full range of vertical motion (15° / 38 cm).



Raise desktop slowly to keep items stable.

Failure to follow these instructions may result in property damage and/or personal injury.



Love your new VIVO setup and want to share?

Tag us in your photo! **@vivo_us**

Last Updated: 05/09/2019



If any parts are received damaged or defective, please contact us. We are happy to replace parts to ensure you have a fully functioning product.



help@vivo-us.com



www.vivo-us.com



1-800-371-5654

For more VIVO products, check out our website at:
www.vivo-us.com.