



Black 36" Electric Compact Desk

Instruction Manual



SKU: DESK-V111V



Scan the QR code with your mobile device or follow the link for helpful videos and specifications related to this product.

<https://vivo-us.com/products/desk-v111v>



help@vivo-us.com



www.vivo-us.com



309-278-5303

WARNING!

If you do not understand these directions, or if you have any doubts about the safety of the installation, please call a qualified technician. Check carefully to make sure there are no missing or defective parts. Improper installation may cause damage or serious injury. Do not use this product for any purpose that is not explicitly specified in this manual and do not exceed weight capacity. We cannot be liable for damage or injury caused by improper mounting, incorrect assembly, or inappropriate use.

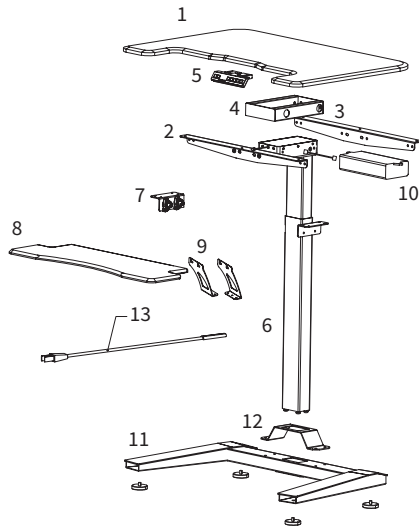
ELECTRICAL SAFETY INSTRUCTIONS

THIS PRODUCT IS POWERED BY ELECTRICITY. IN ORDER TO AVOID BURNS, FIRE AND ELECTRIC SHOCK, PLEASE READ THE FOLLOWING INSTRUCTIONS CAREFULLY.

- DO NOT CLEAN PRODUCT WHILE POWER IS CONNECTED.
- DO NOT DISASSEMBLE OR REPLACE COMPONENTS WHILE POWER IS CONNECTED.
- NEVER OPERATE THE SYSTEM WITH A DAMAGED CORD OR PLUG. PLEASE CONTACT YOUR SELLER TO REPLACE DAMAGED PARTS.
- NEVER OPERATE SYSTEM IN DAMP ENVIRONMENTS OR IF ANY ELECTRICAL COMPONENTS HAVE MADE CONTACT WITH LIQUIDS.
- ALTERATIONS OF THE GIVEN POWER UNIT ARE NOT ALLOWED.
- OUTDOOR USE IS PROHIBITED.

PACKAGE CONTENTS

1 (x1) Desktop	2 (x1) Desk Support Bracket	3 (x1) Desk Support Bracket
4 (x1) Support Frame	5 (x1) Control Panel	6 (x1) Leg
7 (x2) Support Bracket	8 (x1) Keyboard Tray	9 (x2) Keyboard Hinges
10 (x1) Control Unit	11 (x1) Base	12 (x1) Base Support Bracket
13 (x1) Power Cable		



A (x4)
Foot Pad



B (x16)
M5x12



C (x6)
M5x12 Flat
Screw



D (x2)
M4x12



E (x14)
M6x12



F (x1)
4mm Allen
Wrench


TOOLS NEEDED



! WARNING

PINCH POINT

DO NOT place hands on or near support bars. Moving parts can crush and cut. Pinch points are created during lifting and lowering the worksurface. Failure to follow these instructions may result in serious personal injury.



DO NOT EXCEED WEIGHT CAPACITY.

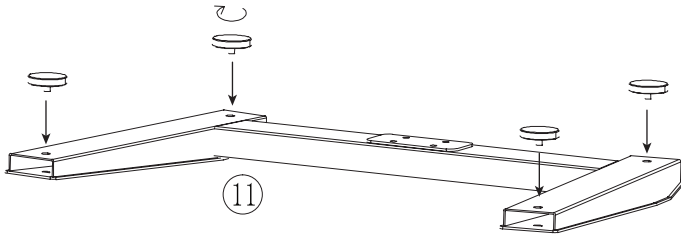
Failure to do so may result in serious injury.



ASSEMBLY STEPS

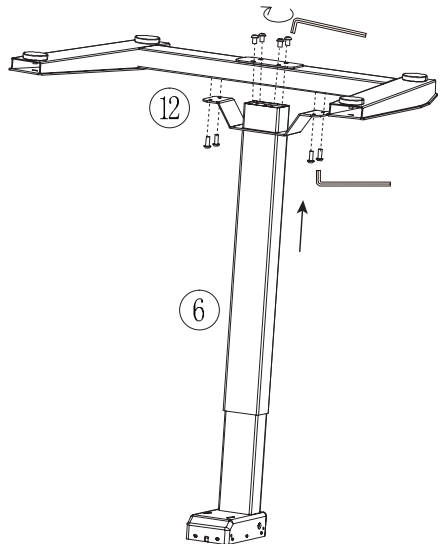
STEP 1

Screw the foot pads (A) into the underside of the base (11). NOTE: Insert all necessary screws into holes before completely tightening.



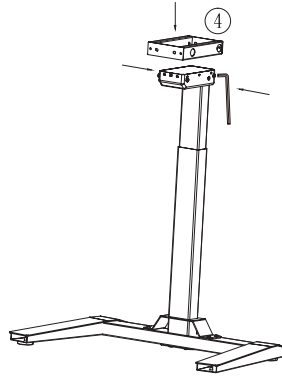
STEP 2

Install the support bracket (12) to the top of the base with x4 M6x12 bolts (E). Then, install the leg (6) to the base using x4 M6x12 bolts (E). Tighten all bolts with Allen wrench (F).



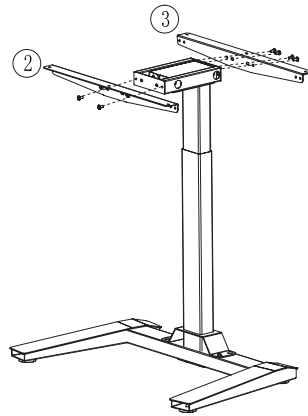
STEP 3

Place the support frame (4) on top of the leg with the slots facing down and long end forward, making sure the pre-installed bolts on the leg insert into the slots. Tighten bolts with Allen wrench (F).



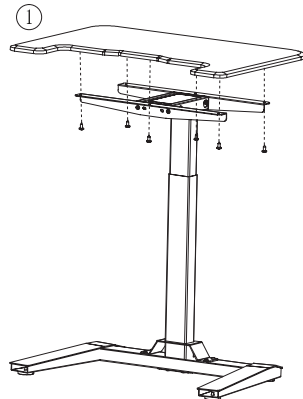
STEP 4

Install the desk support brackets (2, 3) to the front and back of the support frame using x6 M6x12 bolts (E), and tighten with Allen wrench (F).



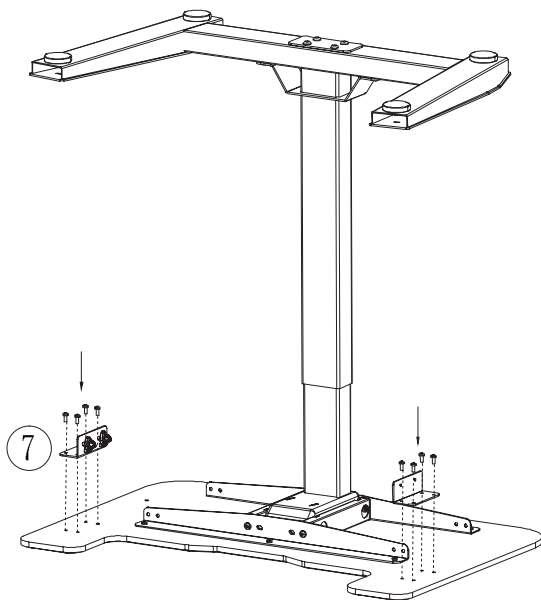
STEP 5

Install the desktop (1) to the top of the frame using x6 M5x16 bolts (B) and tighten with a Phillips screwdriver.



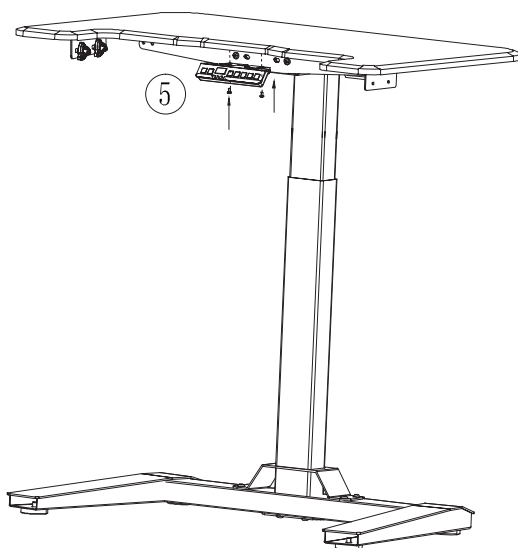
STEP 6

Mount support brackets (7) to the bottom of the desktop using x8 M5x12 bolts (B) and tighten with a Phillips screwdriver.



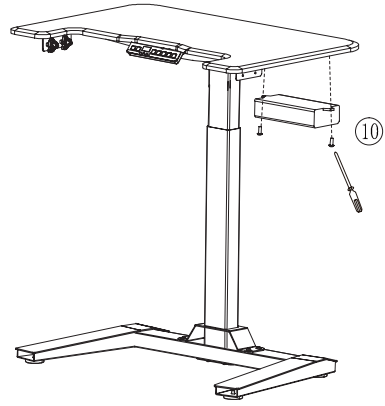
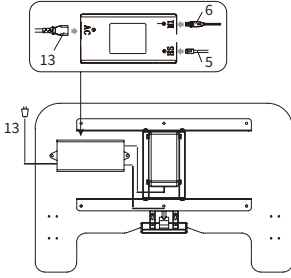
STEP 7

Mount control panel (5) to the front of desktop using x2 M4x12 bolts (D).



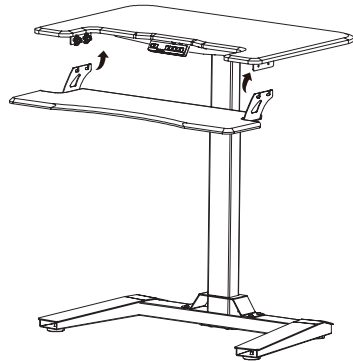
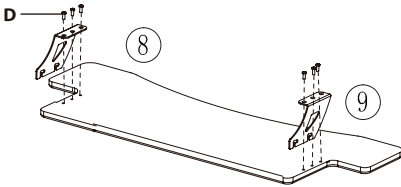
STEP 8

Install control unit (9) to the bottom of desktop using x2 M5x12 bolts (B) and tighten with a Phillips screwdriver. Connect the motor and control panel cables to the control unit. (**NOTE:** Make sure the connections for the motor and control panel are facing towards the center of the desk).



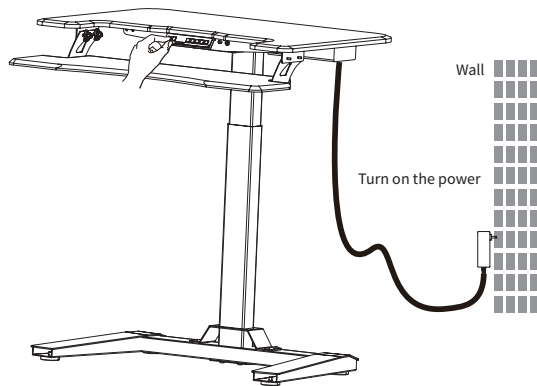
STEP 9

Secure brackets (9) to keyboard tray (8) using the x6 screws (C). Screw assembled keyboard tray (8) and bracket (9) onto adjustable desktop.

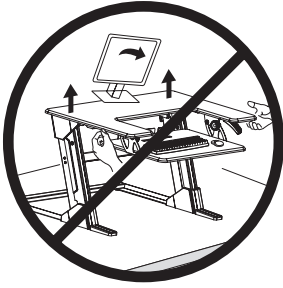


STEP 10

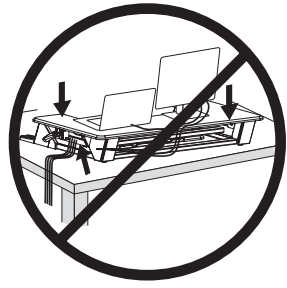
Plug power cable (13) into an AC wall outlet, then use the control panel to adjust height.



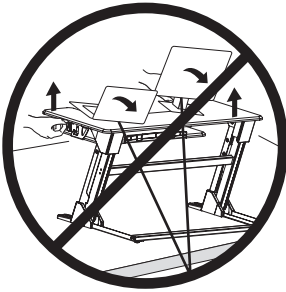
 **CAUTION!**



Keep monitor and laptop base fully on the desktop.



Follow the cable routing instructions to avoid the potential to pinch cables.



Leave enough slack in cable to allow for full range of vertical motion (15" / 38 cm).



Raise desktop slowly to keep items stable.

Failure to follow these instructions may result in property damage and/or personal injury.



Love your new VIVO setup and want to share?

LAST UPDATED: 09/16/2019

Tag us in your photo! [@vivo_us](#)



Open **Monday-Friday from 7:00am-7:00pm CST**,
our dedicated support team can offer immediate assistance with rapid response times.
If any parts are received damaged or defective, please contact us.
We are happy to replace parts to ensure you have a fully functioning product.



help@vivo-us.com

AVG. RESPONSE TIME (*within office hrs*): **1HR 8M**

- 23% within < 15m
- 38% within < 30m
- 61% within < 1hr
- 83% within < 2hr
- 92% within < 3hr



www.vivo-us.com

AVG. RESOLUTION TIME (*within office hrs*): **< 15 M**



309-278-5303

AVG. RESOLUTION TIME (*within office hrs*): **5M 4S**

FOR MORE VIVO PRODUCTS, CHECK OUT OUR WEBSITE AT: www.vivo-us.com