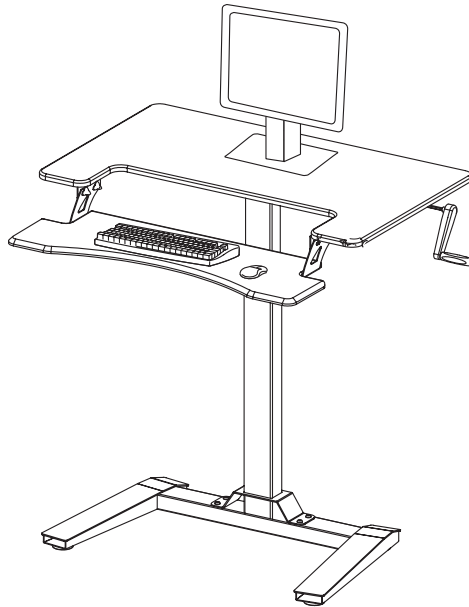


36" x 22" Manual Height Adjustable Standing Desk Instruction Manual



SKU: DESK-V111VM



Scan the QR code with your mobile device or follow the link for helpful videos and specifications related to this product.

<https://vivo-us.com/products/desk-v111vm>



help@vivo-us.com



www.vivo-us.com



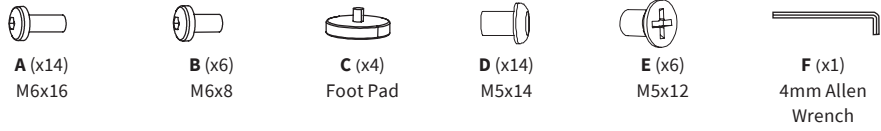
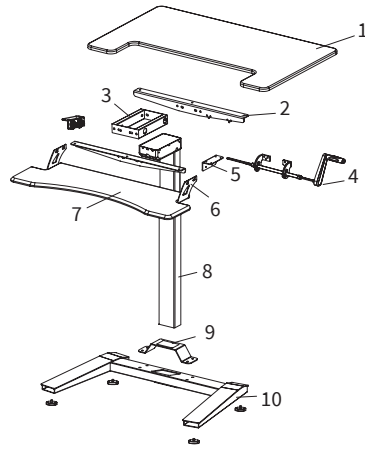
1-800-371-5654

WARNING!

If you do not understand these directions, or if you have any doubts about the safety of the installation, please call a qualified technician. Check carefully to make sure there are no missing or defective parts. Improper installation may cause damage or serious injury. Do not use this product for any purpose that is not explicitly specified in this manual. Do not exceed weight capacity. We cannot be liable for damage or injury caused by improper mounting, incorrect assembly, or inappropriate use.

PACKAGE CONTENTS

- | | |
|--|--|
| 1 (x1)
Desktop | 6 (x2)
Left/Right
Bracket |
| 2 (x2)
Desk Support
Bracket | 7 (x1)
Keyboard Shelf |
| 3 (x1)
Frame | 8 (x1)
Leg |
| 4 (x1)
Crank | 9 (x1)
Support
Bracket |
| 5 (x2)
Keyboard Support
Bracket | 10 (x1)
Base |



TOOLS NEEDED



**WARNING
PINCH POINT**

DO NOT place hands on or near support bars. Moving parts can crush and cut. Pinch points are created during lifting and lowering the worksurface. Failure to follow these instructions may result in serious personal injury.



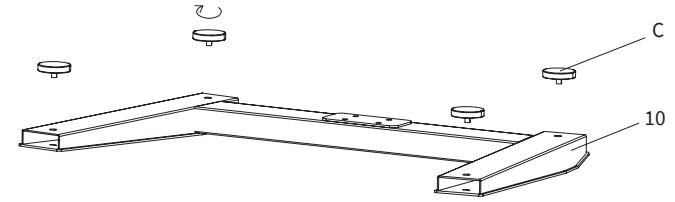
DO NOT EXCEED WEIGHT CAPACITY.
Failure to do so may result in serious injury.



ASSEMBLY STEPS

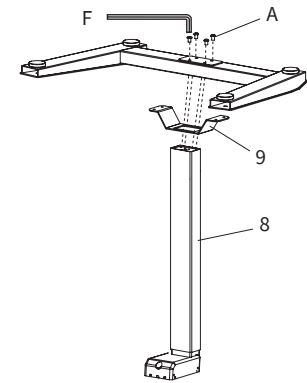
STEP 1

Screw the foot pads **(C)** into the underside of the base **(10)**.



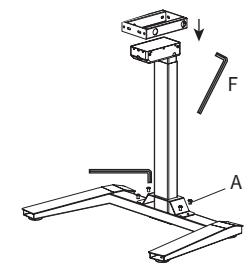
STEP 2

Slide the support bracket **(9)** onto the leg **(8)**, then install the leg **(8)** to the base **(10)** using x4 M6x16 bolts **(A)**. Tighten all bolts with the Allen wrench **(F)**.



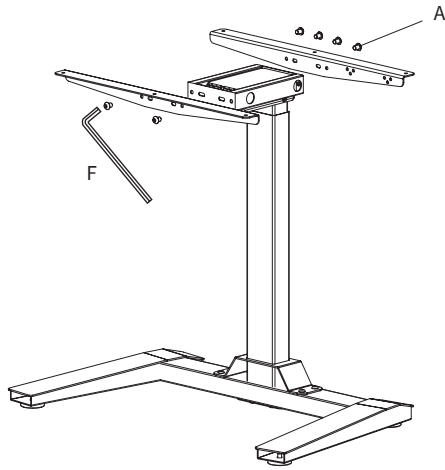
STEP 3

Flip the base **(10)** with leg right-side up. Secure the support bracket **(9)** to the base **(10)** using x4 M6x16 bolts **(A)**. Tighten bolts with the Allen wrench **(F)**.



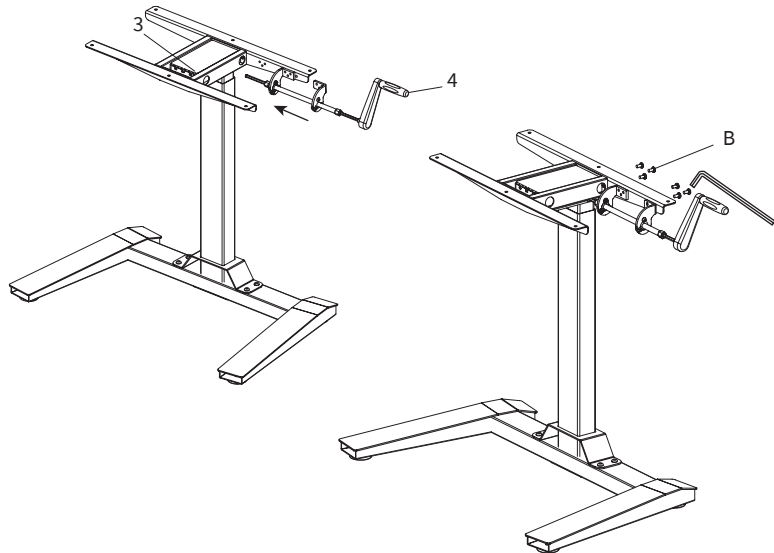
STEP 4

Install the desk support brackets (2) to the front and back of the leg (8) using x6 M6x16 bolts (A), and tighten with the Allen wrench (F).



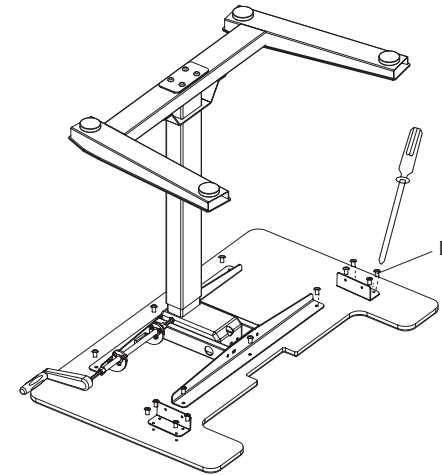
STEP 5

Slide crank (4) onto the frame (3). Secure the crank using x6 M6x8 bolts (B). Tighten with Allen key (F) or a Phillips screwdriver.



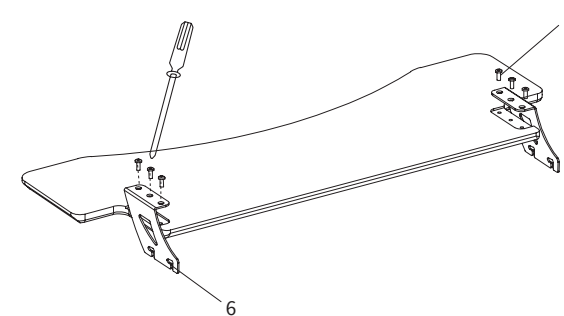
STEP 6

Install the desktop (1) to the top of the frame using x6 M5x14 bolts (D). Then, install keyboard support brackets (5) to desktop using x8 M5x14 bolts (D).



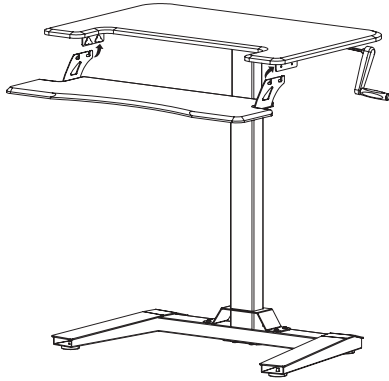
STEP 7

Secure left and right brackets (6) to keyboard shelf (7) using x6 M5x12 screws (E).



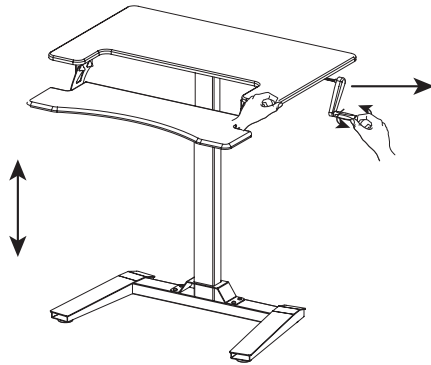
Step 8

Mount the keyboard shelf (7) to the support brackets (5) using the knobs pre-installed on the brackets.



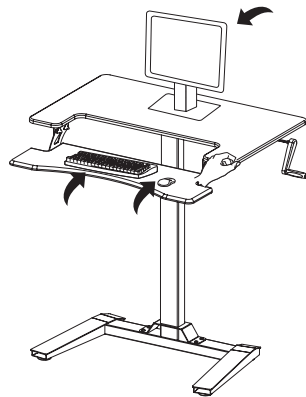
Step 9

Loosen the nut on the handle shaft and slide handle out past the desktop. This will allow you to easily rotate the crank (4) to raise or lower the desktop.

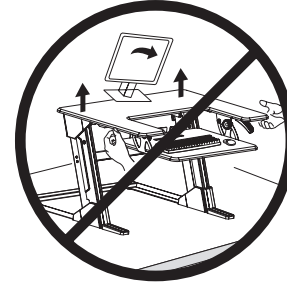


Step 10

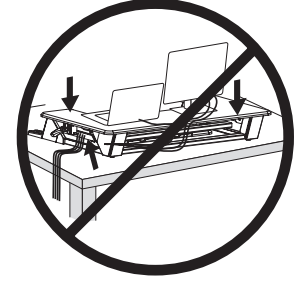
Place monitor, keyboard, mouse and other items on the desk.



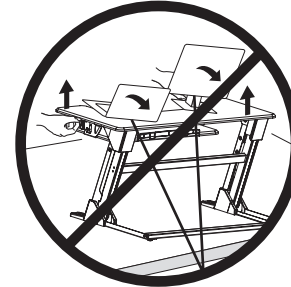
CAUTION!



Keep monitor and laptop base fully on the desktop.



Follow the cable routing instructions to avoid the potential to pinch cables.



Leave enough slack in cable to allow for full range of vertical motion (15" / 38 cm).



Raise desktop slowly to keep items stable.

Failure to follow these instructions may result in property damage and/or personal injury.



Love your new VIVO setup and want to share?

Tag us in your photo! **@vivo_us**

Last Updated: 11/19/2018



If any parts are received damaged or defective, please contact us. We are happy to replace parts to ensure you have a fully functioning product.



help@vivo-us.com



www.vivo-us.com



1-800-371-5654

For more VIVO products, check out our website at:
www.vivo-us.com.