



Black 36" Pneumatic Mobile Compact Desk

Instruction Manual



SKU: DESK-V111GT



Scan the QR code with your mobile device or follow the link for helpful videos and specifications related to this product.

<https://vivo-us.com/products/desk-v111gt>

GET IN TOUCH | Monday-Friday from 7:00am-7:00pm CST



help@vivo-us.com



www.vivo-us.com
Chat live with an agent!



309-278-5303

WARNING!

If you do not understand these directions, or if you have any doubts about the safety of the installation, please call a qualified technician. Check carefully to make sure there are no missing or defective parts. Improper installation may cause damage or serious injury. Do not use this product for any purpose that is not explicitly specified in this manual and do not exceed weight capacity. We cannot be liable for damage or injury caused by improper mounting, incorrect assembly or inappropriate use.

WARNING: CHOKING HAZARD

SMALL PARTS - NOT FOR CHILDREN UNDER 3 YEARS. ADULT SUPERVISION IS REQUIRED.

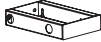
PACKAGE CONTENTS



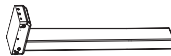
1 (x1)
Desktop



2 (x2)
Desk Support
Bracket



3 (x1)
Frame



4 (x1)
Leg



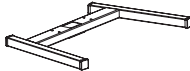
5 (x1)
Keyboard
Shelf



6 (x2)
Keyboard Support
Bracket



7 (x1)
Base Support
Bracket



8 (x1)
Base



9 (x1)
Right
Bracket



10 (x1)
Left
Bracket



11 (x1)
Cable Guide



A (x4)
Caster



B (x19)
M5x14



C (x12)
M6x16



D (x9)
M5x12



E (x4)
M6x30



F (x1)
4mm Allen
Wrench



G (x1)
Cable Clip



H (x1)
Wrench



I (x2)
Plastic Bushing

NOTE: SOME HARDWARE INCLUDED MAY NOT BE USED.

TOOLS NEEDED



WARNING

PINCH POINT

DO NOT place hands on or near support bars. Moving parts can crush and cut. Pinch points are created during lifting and lowering the worksurface. Failure to follow these instructions may result in serious personal injury.



DO NOT EXCEED WEIGHT CAPACITY.

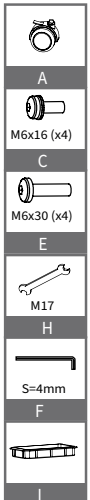
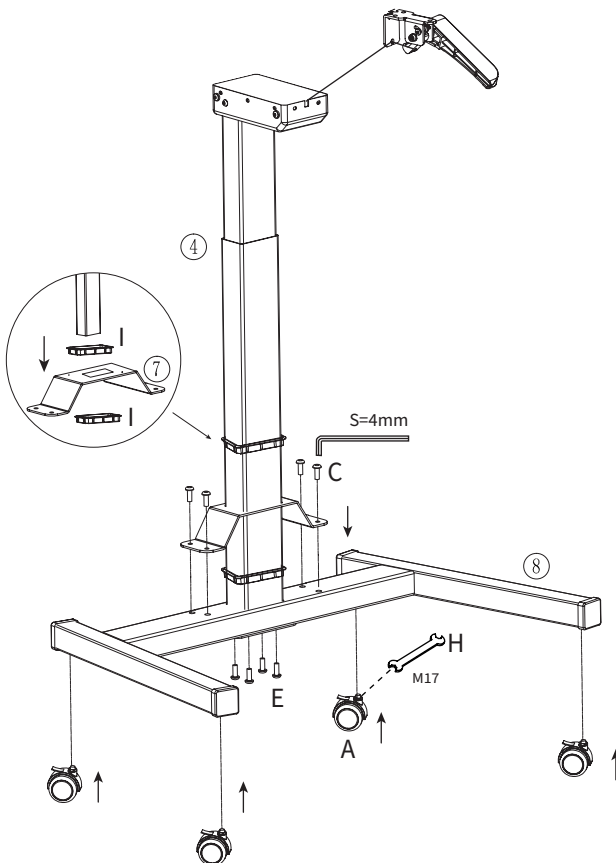
Failure to do so may result in serious injury.



ASSEMBLY STEPS

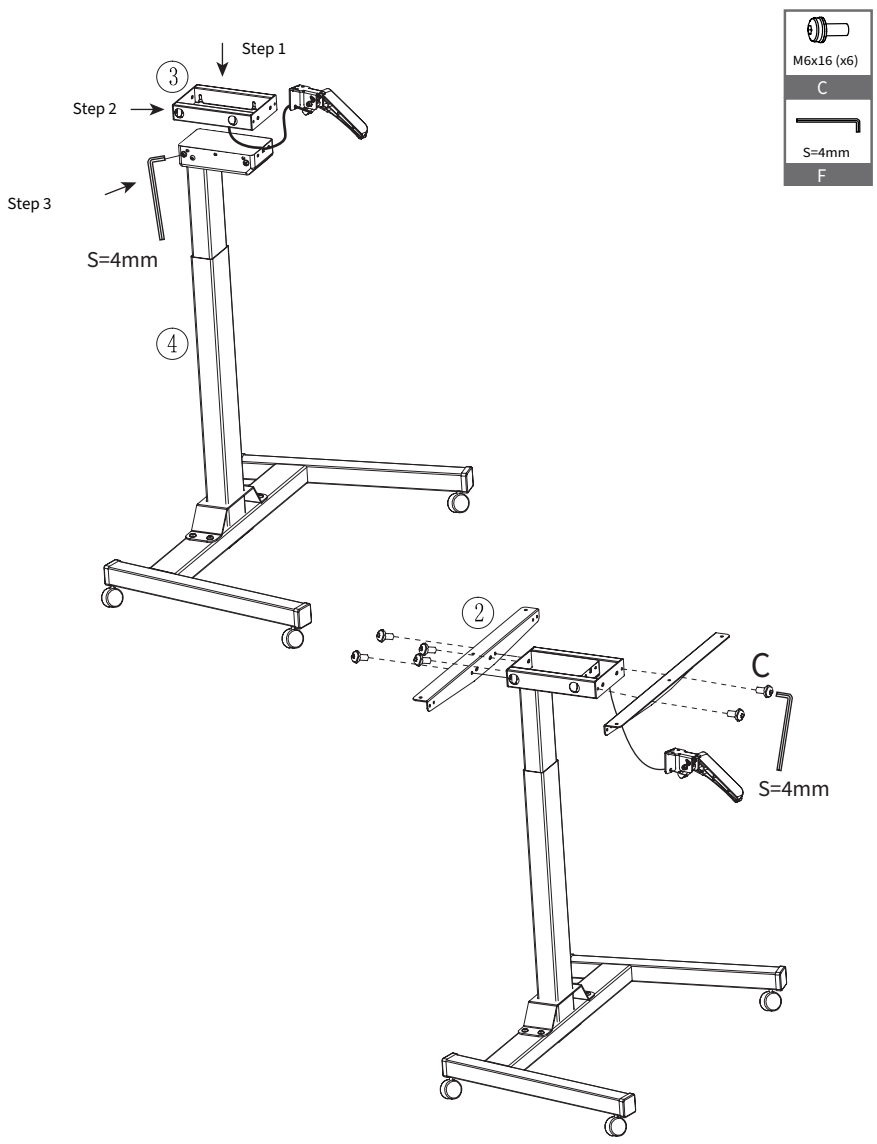
STEP 1

Screw the casters (A) into the underside of the base (8). Secure the base support bracket (7) to the base using x4 M6x16 bolts (C), and press the plastic bushings (I) into the openings in the base and base support bracket. Install the leg (5) to the base using x4 M6x30 bolts (E). Tighten all bolts with the Allen wrench (F).



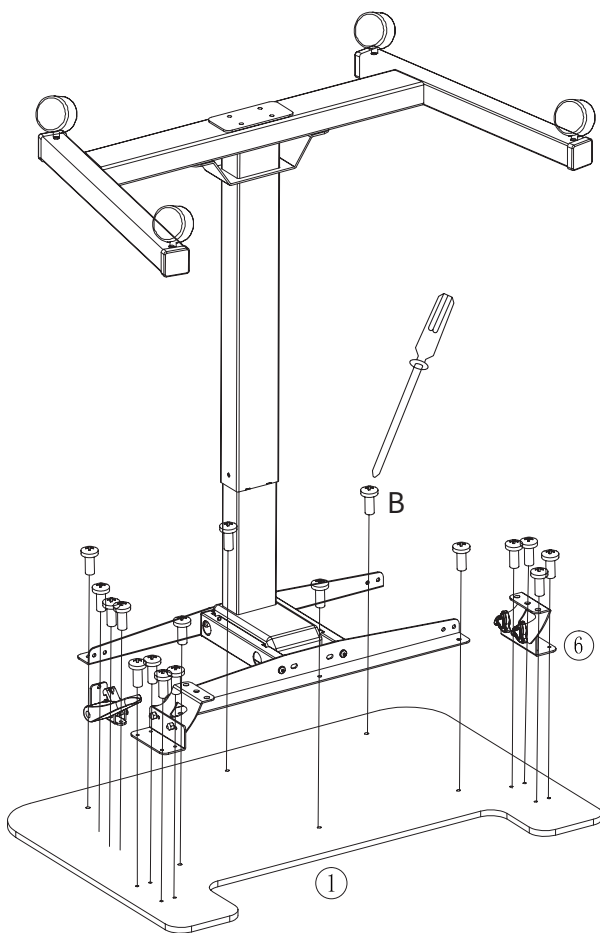
STEP 2

Slide the frame (3) onto the top of the leg, making sure the long end is facing forward. Install a desk support brackets (2) to the front and rear using x4 M6x16 bolts (C) for the rear bracket, and x2 M6x16 (C) bolts in the front bracket. Tighten all bolts with the Allen wrench (F).



STEP 3

Install the desktop (1) to the assembled frame using x6 M5x14 bolts (B), then install keyboard support brackets (6) and release lever to desktop using x11 M5x14 bolts. Tighten with a Phillips screwdriver.

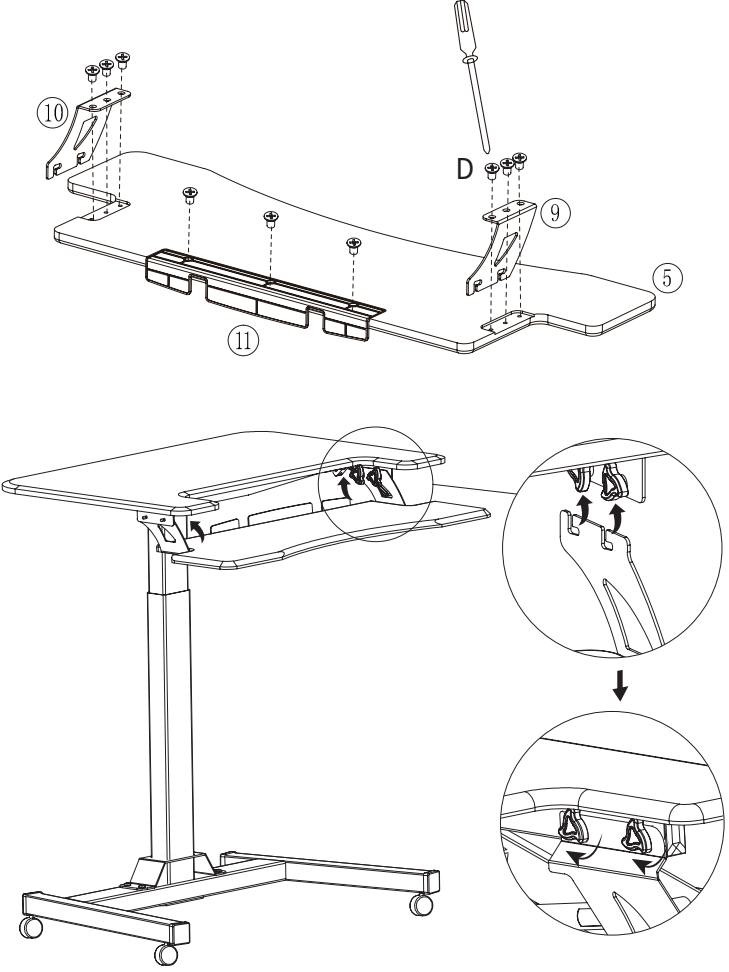


STEP 4

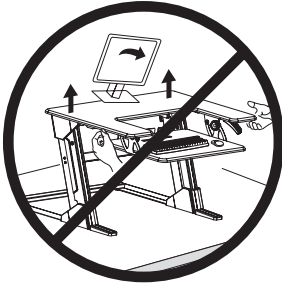
Install the cable guide (11) to the keyboard shelf (5) using x3 M5x12 screws (D). Secure left and right brackets (9, 10) to keyboard shelf (6) using x6 M5x12 screws (D), and tighten with a Phillips screwdriver. Mount the keyboard shelf to the support brackets using the knobs pre-installed on the brackets.



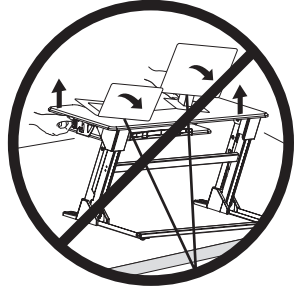
M5x12 (x9)
D



⚠ CAUTION!



Keep monitor and laptop base fully on the desktop.



Leave enough slack in cable to allow for full range of vertical motion 16.5" (42cm).



Raise desktop slowly to keep items stable.

Failure to follow these instructions may result in property damage and/or personal injury.



Open **Monday - Friday 7:00am - 7:00pm** CST,
our dedicated support team can offer immediate assistance with rapid response times. If any parts are received damaged or defective, please contact us. We are happy to replace parts to ensure you have a fully functioning product.


 help@vivo-us.com

AVG. RESPONSE TIME (*within office hrs*): **1HR 8M**

- 23% within < 15m
- 38% within < 30m
- 61% within < 1hr
- 83% within < 2hr
- 92% within < 3hr

 www.vivo-us.com
Chat live with an agent!

AVG. RESOLUTION TIME (*within office hrs*): **< 15 M**

 309-278-5303

AVG. RESOLUTION TIME (*within office hrs*): **5M 4S**