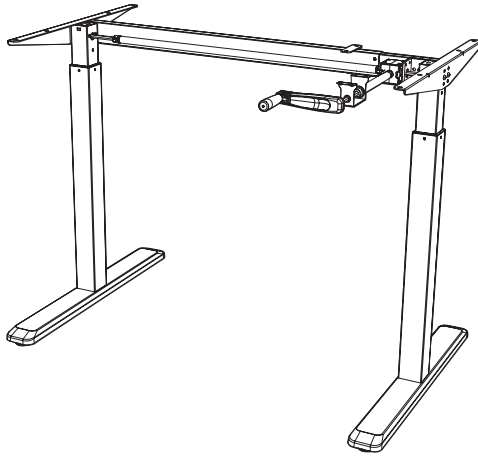




Crank Height Adjustable Desk Frame - Black

Instruction Manual



SKU: DESK-V101M



Scan the QR code with your mobile device or follow the link for helpful videos and specifications related to this product.

<https://vivo-us.com/products/desk-v101m>

GET IN TOUCH | Monday-Friday from 7:00am-7:00pm CST



help@vivo-us.com



www.vivo-us.com
Chat live with an agent!



309-278-5303

WARNING!

If you do not understand these directions, or if you have any doubts about the safety of the installation, please call a qualified technician. Check carefully to make sure there are no missing or defective parts. Improper installation may cause damage or serious injury. Do not use this product for any purpose that is not explicitly specified in this manual and do not exceed weight capacity. We cannot be liable for damage or injury caused by improper mounting, incorrect assembly, or inappropriate use.

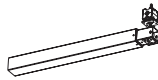
PACKAGE CONTENTS



A (x1)
Telescopic Crossbar



B (x1)
Leg



C (x1)
Leg with Gearbox



D (x2)
Side Bracket



E (x2)
Foot



F (x1)
Sync Rod



G (x1)
Crank Handle



S-A (x16)
M6x12mm Screw



S-B (x4)
3/4" Screw

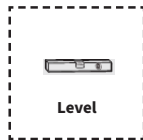


S-C (x10)
7/8" Screw



T-A (x1)
Allen Wrench

TOOLS NEEDED



WARNING

PINCH POINT

DO NOT place hands on or near support bars. Moving parts can crush and cut. Pinch points are created during lifting and lowering the worksurface. Failure to follow these instructions may result in serious personal injury.



DO NOT EXCEED WEIGHT CAPACITY.
Failure to do so may result in serious injury.



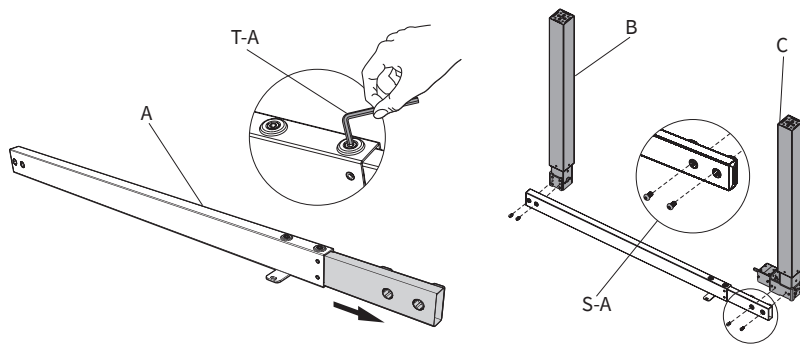
WARNING: CHOKING HAZARD

SMALL PARTS - NOT FOR CHILDREN UNDER 3 YEARS. ADULT SUPERVISION IS REQUIRED.

ASSEMBLY STEPS

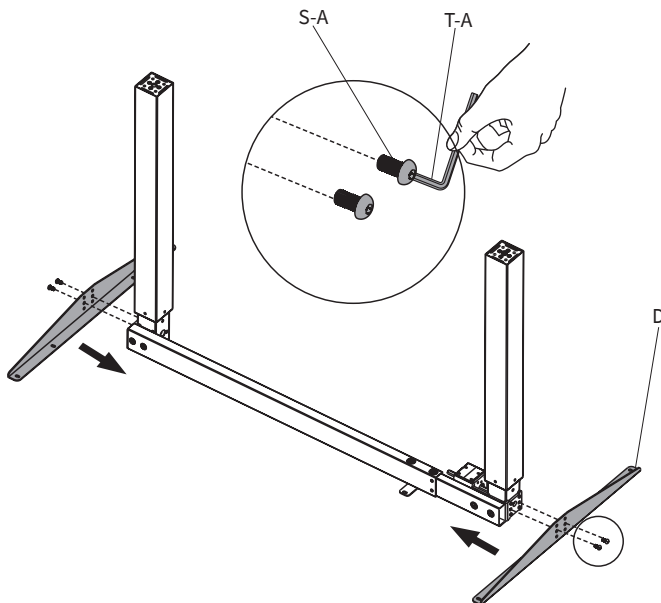
STEP 1

Loosen the two set screws on the Telescopic Crossbar (A) using the Allen Wrench (T-A). Adjust the Telescopic Crossbar (A) length to suit the desktop. Attach the Telescopic Crossbar (A) to Legs (B, C) as shown using M6x12mm Screws (S-A), and tighten with the Allen Wrench (T-A). Retighten set screws. **NOTE:** Make sure adjusted length of the telescopic crossbar is no more than 61" (155cm).



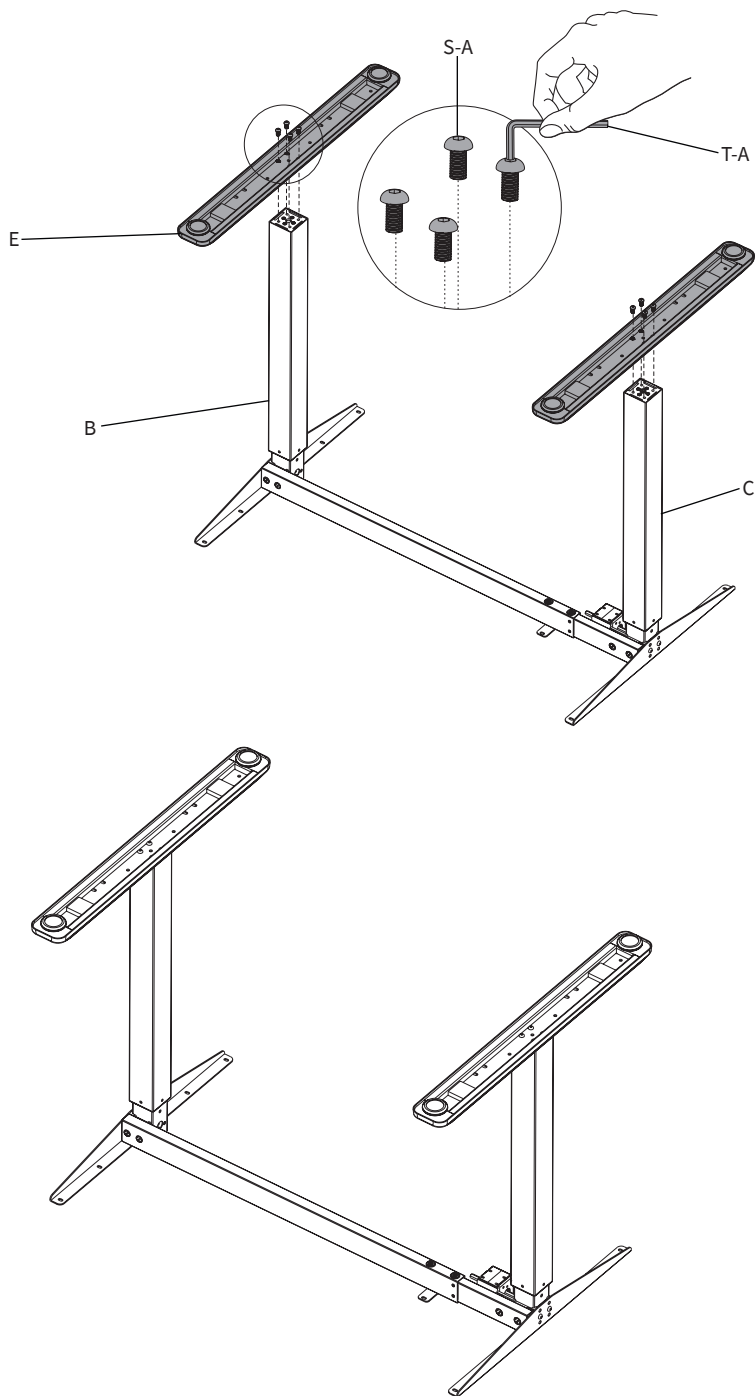
STEP 2

With the desktop mounting holes facing inwards as shown below, attach the Side Brackets (D) to both ends of the frame using M6x12mm Screws (S-A). Tighten with the Allen Wrench (T-A).



STEP 3

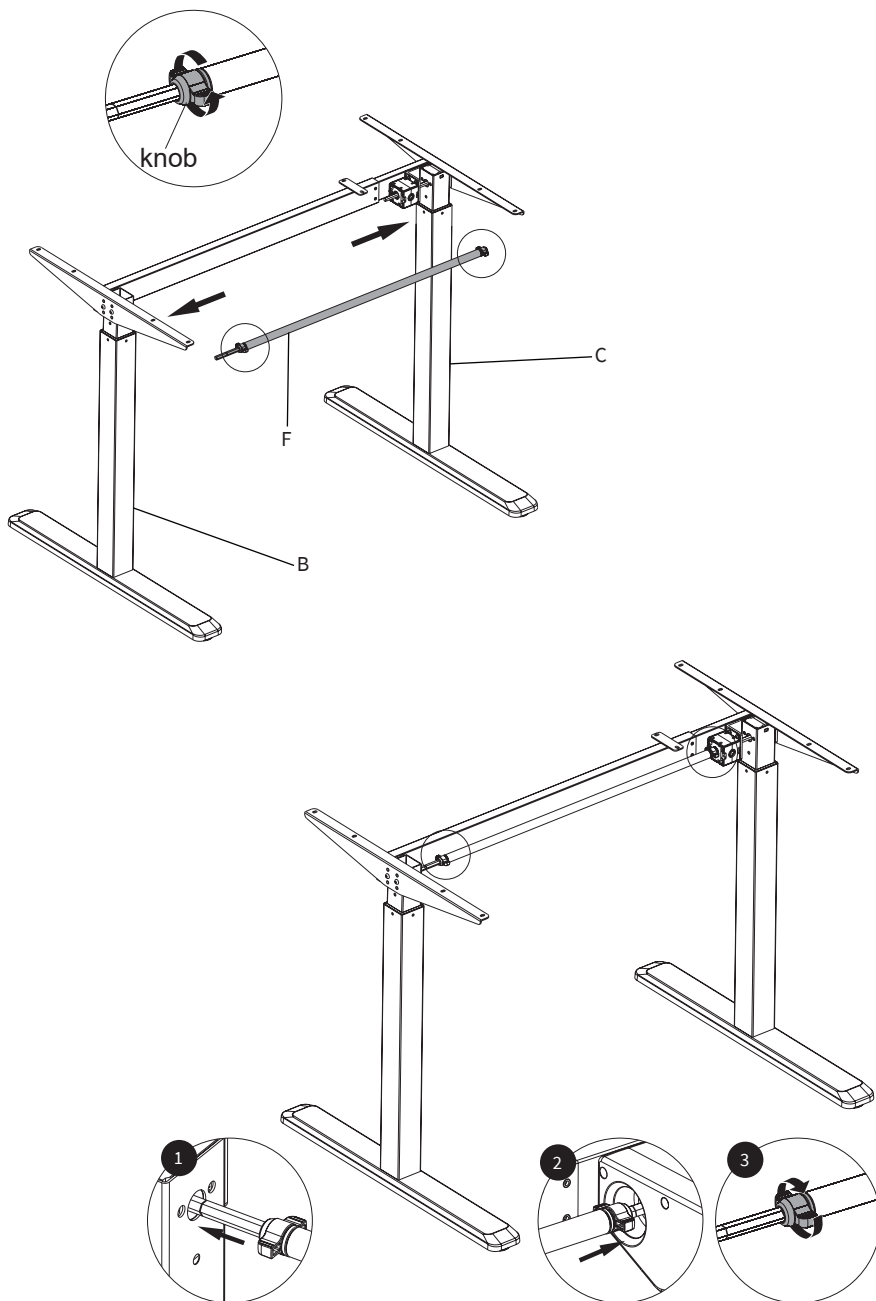
Place the Feet (**E**) on the Legs (**B, C**) as shown. Insert and tighten M6x12 Screws (**S-A**) using the Allen Wrench (**T-A**).



STEP 4

Position the frame upright. Loosen the knobs on the Sync Rod (**F**) and extend the hex shaft. Insert hex shaft into the Leg (**B**), then while holding the hex shaft with one hand, extend sync rod onto the shaft of the Leg With Gearbox (**C**). Tighten both knobs.

CAUTION: To avoid injury, at least two people should turn the frame upright.

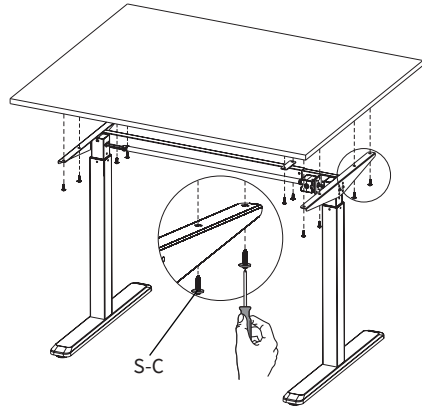


STEP 5

If you are using a VIVO desktop, Refer to the manual that came with your desktop.

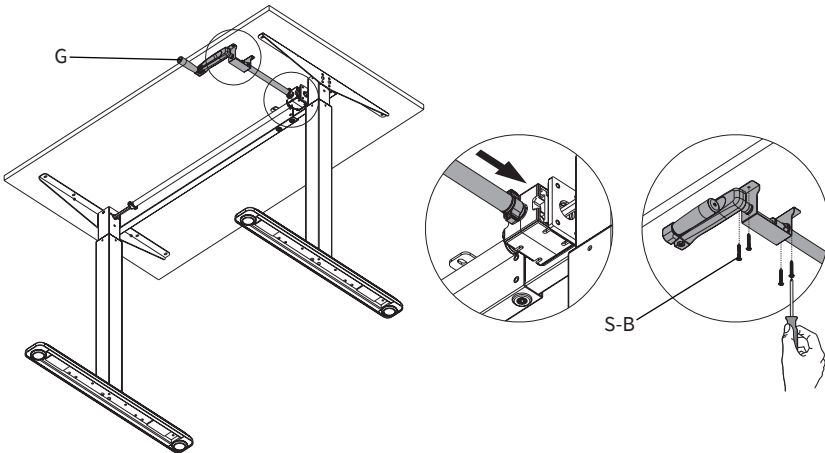


If you are not using a VIVO desktop, place the desktop on the frame, mark and then drill pilot holes using a $3/32$ " or 3mm bit, and drill holes to a depth of $3/8$ " (10mm). Then secure the desktop using the $7/8$ " screws (**S-C**).



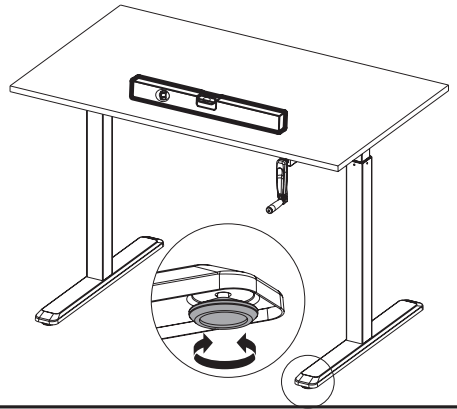
STEP 6

Insert the Crank Handle (**G**) into the gearbox as shown, and using the Crank Handle (**G**) mounting bracket, mark drilling locations with a pencil. Drill $3/8$ " (10mm) deep pilot holes under the desktop with a $5/64$ " (or 2mm) drill bit. Secure the mounting bracket to the underside of the desk using $3/4$ " Screws (**S-B**).



STEP 7

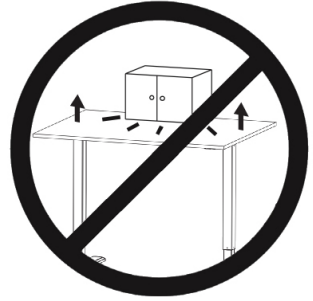
If necessary, adjust foot pads to level desk.



 **CAUTION!**



Do not exceed desk weight limit.



Keep area of vertical motion free of obstacles.



Keep weight on desk balanced for correct operation and longer life of components.



Leave enough slack in cables to allow for full range of vertical motion.

Failure to follow these instructions may result in property damage and/or personal injury.



Open **Monday - Friday 7:00am - 7:00pm** CST,
our dedicated support team can offer immediate assistance with rapid response times. If any parts are received damaged or defective, please contact us. We are happy to replace parts to ensure you have a fully functioning product.



309-278-5303

AVG. RESOLUTION TIME (*within office hrs*): **5M 4S**



www.vivo-us.com
Chat live with an agent!

AVG. RESOLUTION TIME (*within office hrs*): **< 15 M**



help@vivo-us.com

AVG. RESPONSE TIME (*within office hrs*): **1HR 8M**

- 23% within < 15m
- 38% within < 30m
- 61% within < 1hr
- 83% within < 2hr
- 92% within < 3hr