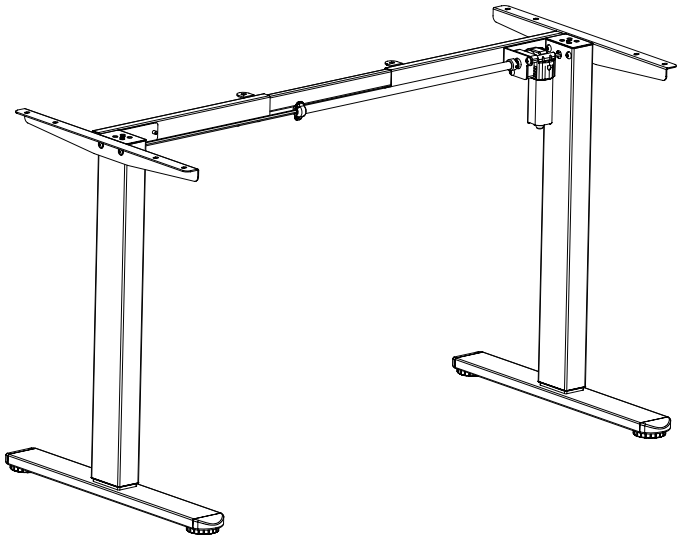


Black Electric Single Motor Desk Frame

Instruction Manual



SKU: DESK-V100EB



Scan the QR code with your mobile device or follow the link for helpful videos and specifications related to this product.

<https://vivo-us.com/products/desk-v100eb>

GET IN TOUCH | Monday-Friday from 7:00am-7:00pm CST



help@vivo-us.com



www.vivo-us.com
Chat live with an agent!



309-278-5303



WARNING!

If you do not understand these directions, or if you have any doubts about the safety of the installation, please call a qualified technician. Check carefully to make sure there are no missing or defective parts. Improper installation may cause damage or serious injury. Do not use this product for any purpose that is not explicitly specified in this manual and do not exceed weight capacity. We cannot be liable for damage or injury caused by improper mounting, incorrect assembly, or inappropriate use.

ELECTRICAL SAFETY INSTRUCTIONS

THIS PRODUCT IS POWERED BY ELECTRICITY. IN ORDER TO AVOID BURNS, FIRE AND ELECTRIC SHOCK, PLEASE READ THE FOLLOWING INSTRUCTIONS CAREFULLY.

- DO NOT CLEAN PRODUCT WHILE POWER IS CONNECTED.
- DO NOT DISASSEMBLE OR REPLACE COMPONENTS WHILE POWER IS CONNECTED.
- NEVER OPERATE THE SYSTEM WITH A DAMAGED CORD OR PLUG. PLEASE CONTACT YOUR SELLER TO REPLACE DAMAGED PARTS.
- NEVER OPERATE SYSTEM IN DAMP ENVIRONMENTS OR IF ANY ELECTRICAL COMPONENTS HAVE MADE CONTACT WITH LIQUIDS.
- ALTERATIONS OF THE GIVEN POWER UNIT ARE NOT ALLOWED.
- OUTDOOR USE IS PROHIBITED

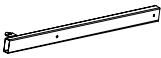
WARNING: CHOKING HAZARD

SMALL PARTS - NOT FOR CHILDREN UNDER 3 YEARS. ADULT SUPERVISION IS REQUIRED.

PACKAGE CONTENTS



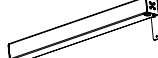
A (x1)
Left Crossbar



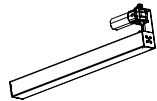
B (x1)
Right Crossbar



C (x1)
Center Crossbar



D (x1)
Leg



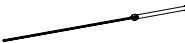
E (x1)
Motorized Leg



F (x2)
Side Bracket



G (x2)
Foot



H (x1)
Sync Rod



I (x1)
Controller



J (x1)
AC Adapter



K (x12)
Anti-Vibration Pad



L (x2)
Cable Clip



S-A (x22)
M6x11mm Screw



S-B (x14)
M5x16mm Screw



T-A (x1)
2mm Allen Wrench



T-B (x1)
5mm Allen Wrench

TOOLS NEEDED

NOTE: SOME HARDWARE MAY NOT BE USED



Phillips
Screwdriver

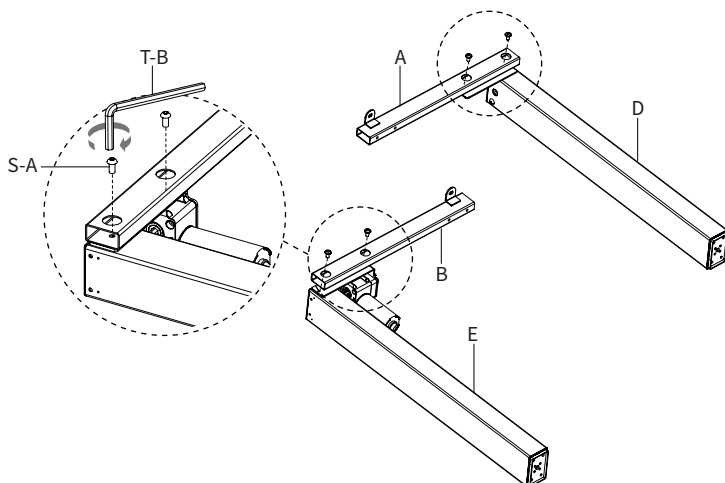
DO NOT EXCEED WEIGHT CAPACITY.
Failure to do so may result in serious injury.

176lbs
(80kg)

ASSEMBLY STEPS

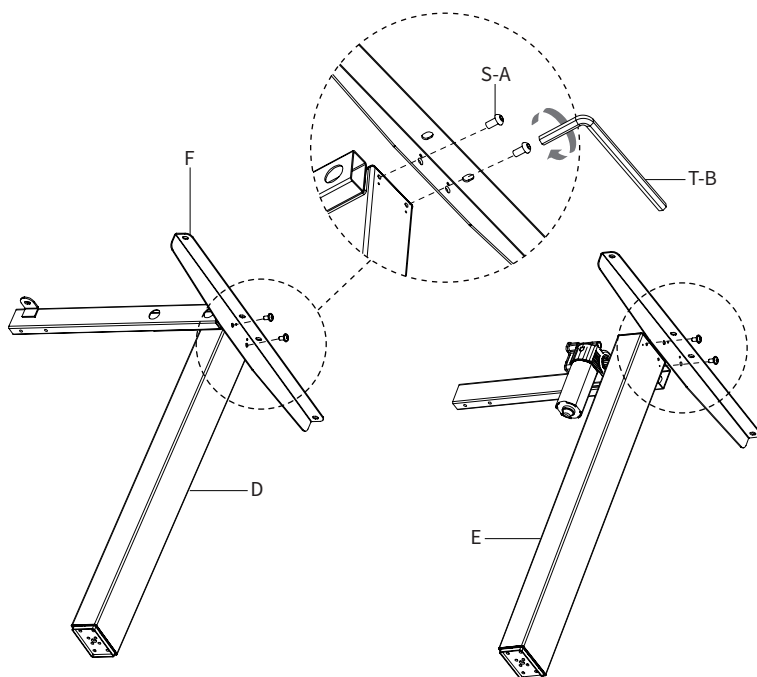
STEP 1

Assemble Left Crossbar (A) to Leg (D) and Right Crossbar (B) to Motorized Leg (E) using M6x11mm Screws (S-A) and 5mm Allen Wrench (T-B).



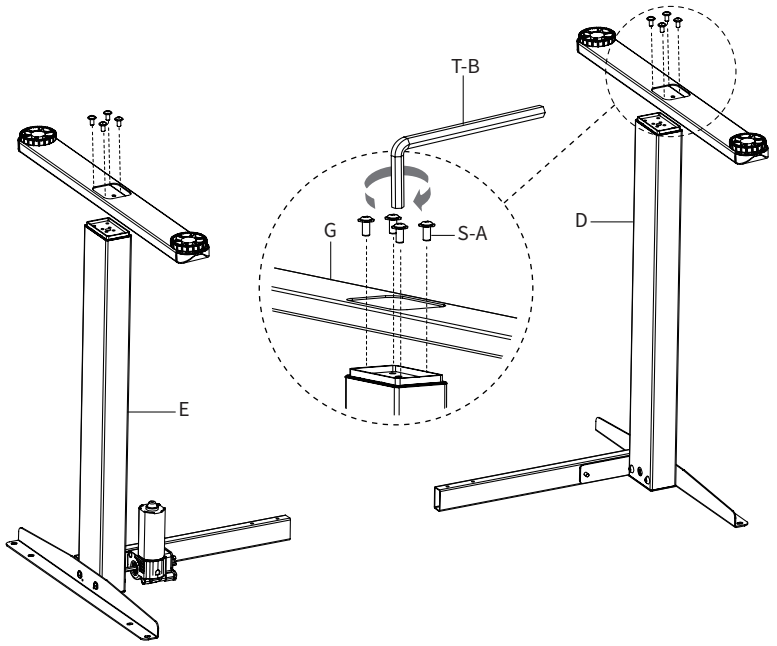
STEP 2

Secure Side Brackets (F) to Leg (D) and Motorized Leg (E) using M6x11mm Screws (S-A) and 5mm Allen Wrench (T-B).



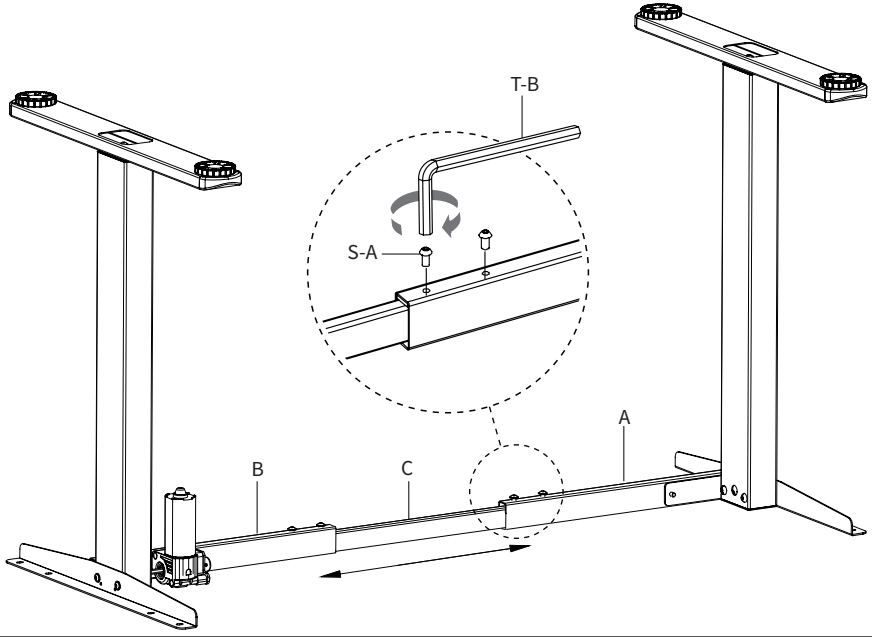
STEP 3

Assemble Feet (**G**) to Leg (**D**) and Motorized Leg (**E**) using M6x11mm Screws (**S-A**) and 5mm Allen Wrench (**T-B**).



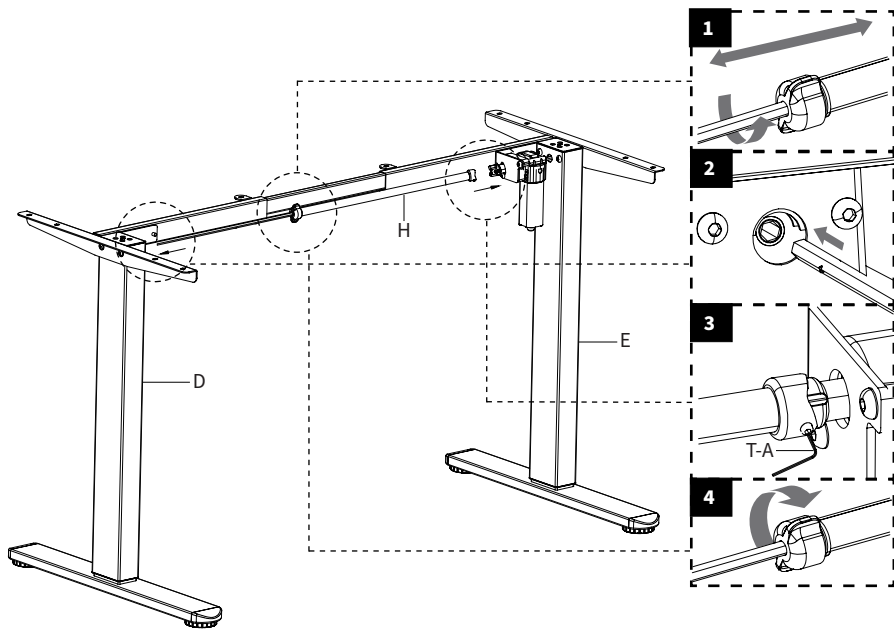
STEP 4

Insert Center Crossbar (**C**) into Left Crossbar (**A**) and Right Crossbar (**B**). Secure Center Crossbar (**C**) using M6x11mm Screws (**S-A**) and 5mm Allen Wrench (**T-B**).



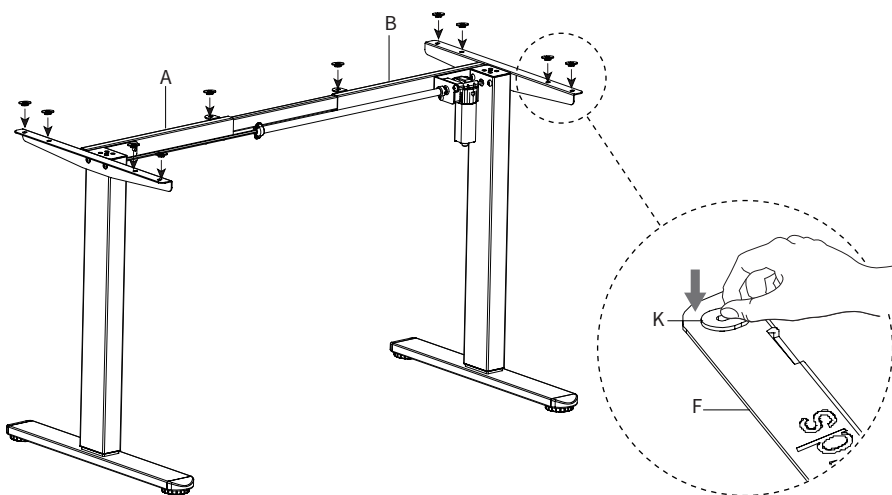
STEP 5

Loosen the knob on Sync Rod (**H**) and extend the hex shaft. Insert the hex shaft into Leg (**D**), making sure the metal retaining ring makes contact with Leg (**D**). While holding the hex shaft with one hand, extend Sync Rod (**H**) onto the spline shaft of Motorized Leg (**E**). Tighten Sync Rod (**H**) using 2mm Allen Wrench (**T-A**), and retighten the knob.



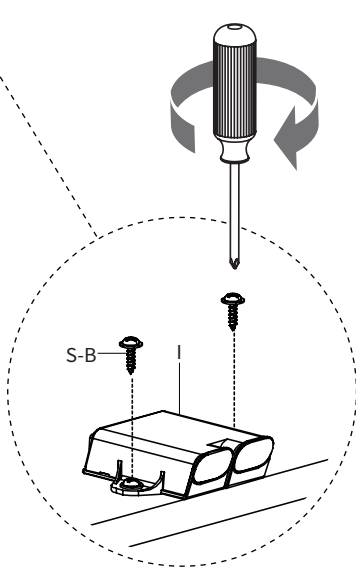
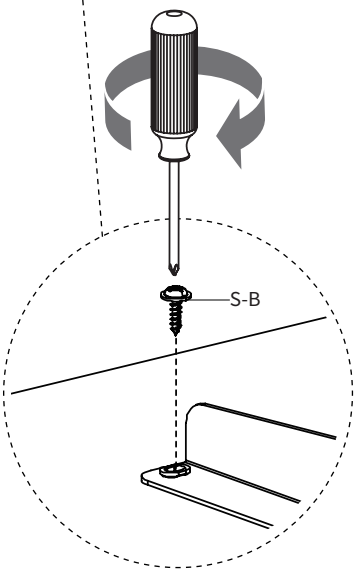
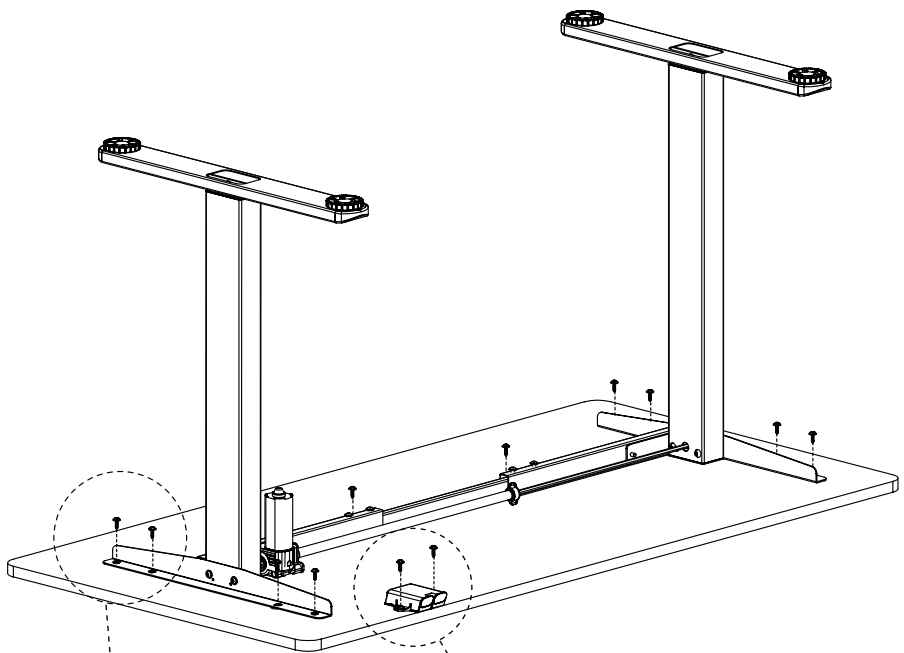
STEP 6

Apply Anti-Vibration Pads (**K**) to Side Brackets (**F**), Left Crossbar (**A**) and right Crossbar (**B**).



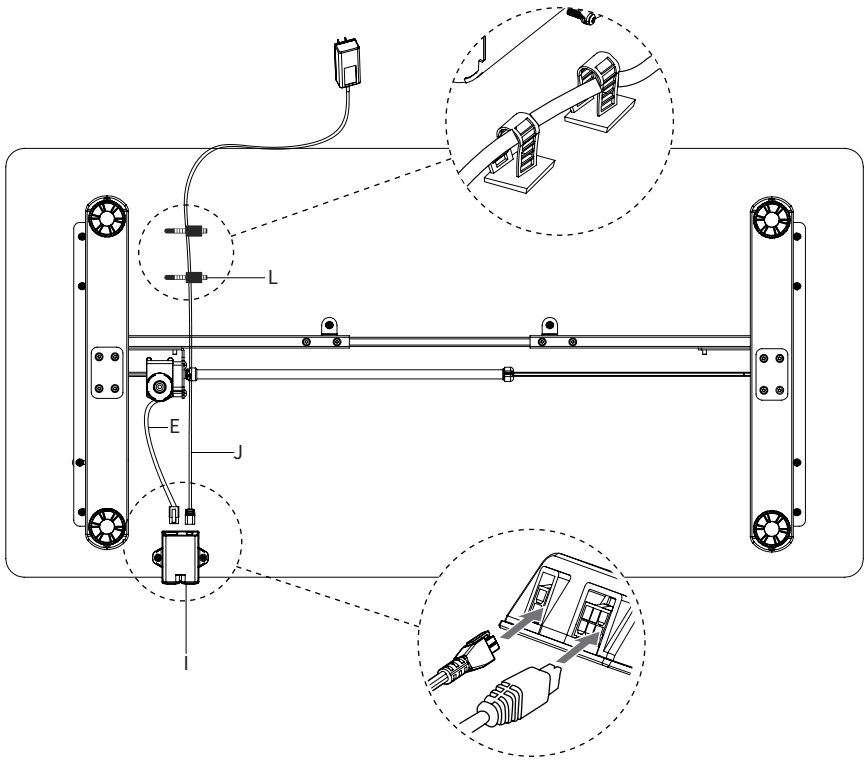
STEP 7

Secure the frame assembly and Control Panel (I) to the desktop using M5x16mm Screws (S-B) and a Phillips screwdriver.



STEP 8

Plug the cable from Motorized Leg (**E**) and AC Adapter (**J**) into Controller (**I**). Organize cables using Cable Clips (**L**). Plug AC Adapter (**J**) into an AC wall outlet.

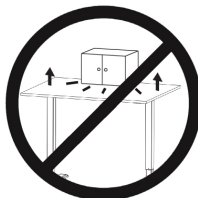


Reset	Press and hold the down arrow until the desk reaches its lowest height and rebounds slightly, then release the down arrow.
Height Adjustment	Press and hold the up arrow until the desk reaches the desired height.
Troubleshooting	If the desk unable to move, disconnect the power for 30 seconds, and plug then plug the desk back in. Once the power has been reconnected, follow the reset procedure.

CAUTION!



Do not exceed desk weight limit.



Keep area of vertical motion free of obstacles.



Keep weight on desk balanced for correct operation and longer life of components.



Leave enough slack in cables to allow for full range of vertical motion.

Failure to follow these instructions may result in property damage and/or personal injury.



Open **Monday - Friday 7:00am - 7:00pm** CST, our dedicated support team can offer immediate assistance with rapid response times. If any parts are received damaged or defective, please contact us. We are happy to replace parts to ensure you have a fully functioning product.



309-278-5303

AVG. RESOLUTION TIME *(within office hrs):* **5M 4S**



www.vivo-us.com
Chat live with an agent!

AVG. RESOLUTION TIME *(within office hrs):* **< 15 M**



help@vivo-us.com

AVG. RESPONSE TIME *(within office hrs):* **1HR 8M**

- 23% within < 15m
- 38% within < 30m
- 61% within < 1hr
- 83% within < 2hr
- 92% within < 3hr