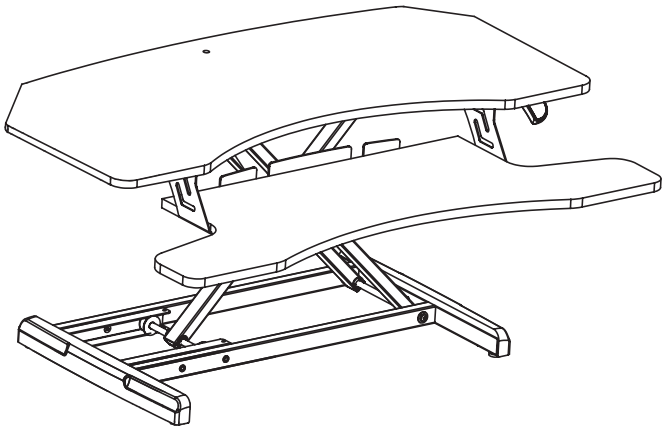




Black Corner Desk Riser

Instruction Manual



SKU: DESK-V037MC



Scan the QR code with your mobile device or follow the link for helpful videos and specifications related to this product.

<https://vivo-us.com/products/desk-v037mc>

GET IN TOUCH | Monday-Friday from 7:00am-7:00pm CST



help@vivo-us.com



www.vivo-us.com
Chat live with an agent!



309-278-5303

WARNING!

If you do not understand these directions, or if you have any doubts about the safety of the installation, please call a qualified technician. Check carefully to make sure there are no missing or defective parts. Improper installation may cause damage or serious injury. Do not use this product for any purpose that is not explicitly specified in this manual and do not exceed weight capacity. We cannot be liable for damage or injury caused by improper mounting, incorrect assembly, or inappropriate use.

WARNING: CHOKING HAZARD

SMALL PARTS - NOT FOR CHILDREN UNDER 3 YEARS. ADULT SUPERVISION IS REQUIRED.

PACKAGE CONTENTS



A (x1)
Desk



B (x2)
Keyboard Bracket



C (x1)
Keyboard Tray



D (x6)
M5x12mm
Screw



E (x6)
M5x12mm
Screw



F (x2)
Ziptie

TOOLS NEEDED



**Phillips
Screwdriver**

WARNING **PINCH POINT**

DO NOT place hands on or near support bars. Moving parts can crush and cut. Pinch points are created during lifting and lowering the worksurface. Failure to follow these instructions may result in serious personal injury.



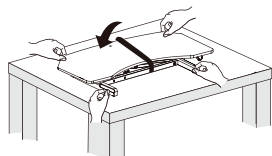
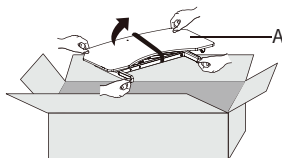
DO NOT EXCEED WEIGHT CAPACITY.
Failure to do so may result in serious injury.



ASSEMBLY STEPS

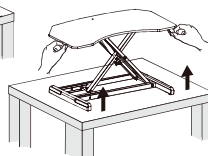
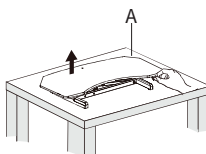
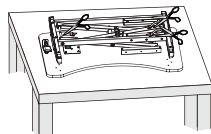
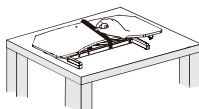
STEP 1

Carefully remove Desk (A) from packaging and set on table.



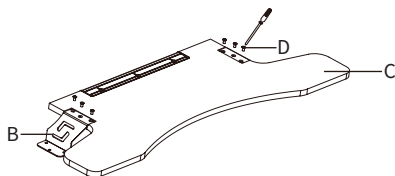
STEP 2

Remove shipping straps from the Desk (A) and cut zipties. Squeeze handle and lift desktop to maximum height.



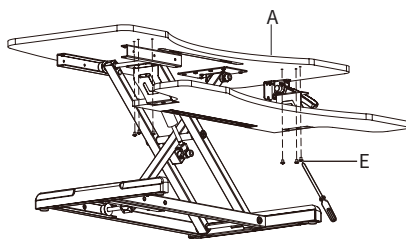
STEP 3

Flip Keyboard Tray (C) upside down and attach Keyboard Brackets (B) to Tray (C) using M5x12mm Screws (D) with a Phillips screwdriver.



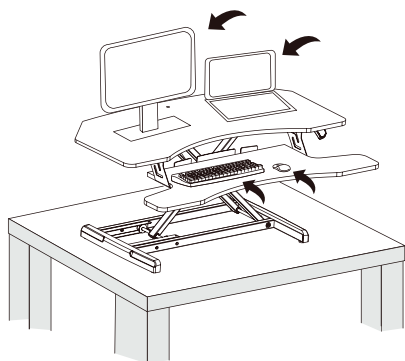
STEP 4

Mount keyboard tray assembly to Desk (A) using M5x12mm Screws (E) with a Phillips screwdriver.



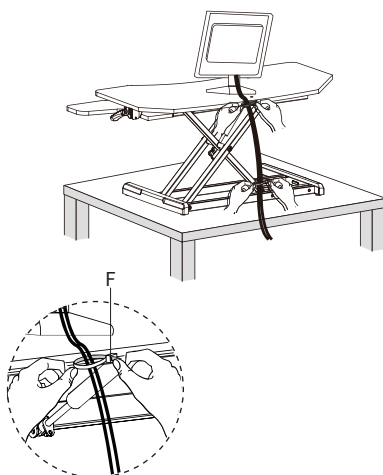
STEP 5

Place laptop, monitor, and other items on desk surface.



STEP 6

Manage cables using Zipties (F).



⚠ CAUTION!



Keep monitor and laptop base fully on the desktop.



Follow the cable routing instructions to avoid the potential to pinch cables.



Leave enough slack in cable to allow for full range of vertical motion (17" / 43 cm).



Raise desktop slowly to keep items stable.

Failure to follow these instructions may result in property damage and/or personal injury.



Open **Monday - Friday 7:00am - 7:00pm** CST,
our dedicated support team can offer immediate assistance with rapid response times. If any parts are received damaged or defective, please contact us. We are happy to replace parts to ensure you have a fully functioning product.



309-278-5303

AVG. RESOLUTION TIME (*within office hrs*): **5M 4S**



www.vivo-us.com
Chat live with an agent!

AVG. RESOLUTION TIME (*within office hrs*): **< 15 M**



help@vivo-us.com

AVG. RESPONSE TIME (*within office hrs*): **1HR 8M**

- 23% within < 15m
- 38% within < 30m
- 61% within < 1hr
- 83% within < 2hr
- 92% within < 3hr