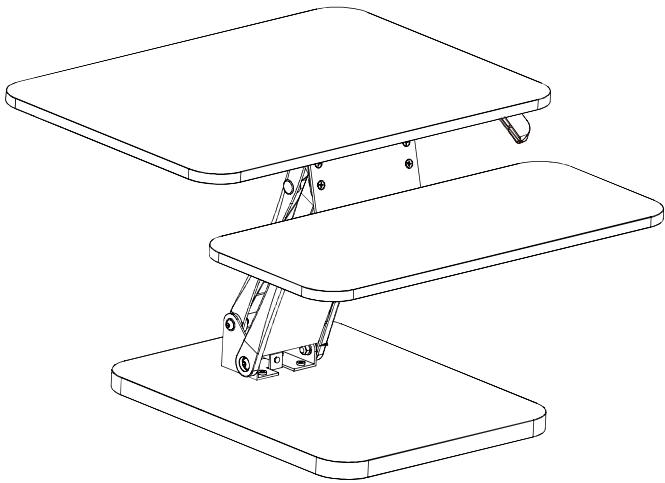




Black 25" Desk Riser

Instruction Manual



SKU: DESK-V001G



Scan the QR code with your mobile device or follow the link for helpful videos and specifications related to this product.

<https://vivo-us.com/products/desk-v001g>

GET IN TOUCH | Monday-Friday from 7:00am-7:00pm CST



help@vivo-us.com



www.vivo-us.com
Chat live with an agent!



309-278-5303

WARNING!

If you do not understand these directions, or if you have any doubts about the safety of the installation, please call a qualified technician. Check carefully to make sure there are no missing or defective parts. Improper installation may cause damage or serious injury. Do not use this product for any purpose that is not explicitly specified in this manual and do not exceed weight capacity. We cannot be liable for damage or injury caused by improper mounting, incorrect assembly, or inappropriate use.

WARNING: CHOKING HAZARD

SMALL PARTS - NOT FOR CHILDREN UNDER 3 YEARS. ADULT SUPERVISION IS REQUIRED.

PACKAGE CONTENTS



A (x1)
Desk



B (x1)
Keyboard Tray
Bracket



C (x1)
Keyboard Tray



S-A (x4)
M5x12mm Screw



S-B (x4)
M6x16mm Screw

TOOLS NEEDED



Phillips
Screwdriver

WARNING **PINCH POINT**

DO NOT place hands on or near support bars. Moving parts can crush and cut. Pinch points are created during lifting and lowering the worksurface. Failure to follow these instructions may result in serious personal injury.



DO NOT EXCEED WEIGHT CAPACITY.

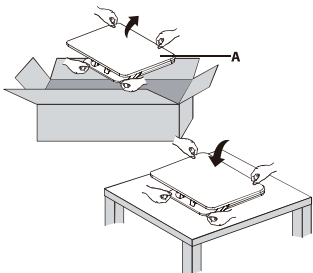
Failure to do so may result in serious injury.



ASSEMBLY STEPS

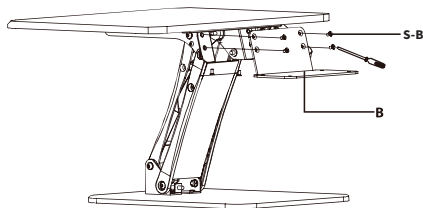
STEP 1

Carefully remove desk and contents from packaging and place on flat surface. Desk (**A**) must be raised.



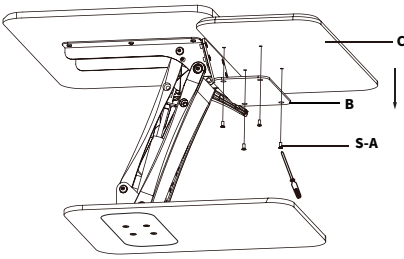
STEP 2

Attach Keyboard Tray Bracket (**B**) to Desk (**A**) with M6x16mm Screws (**S-B**), and tighten with a Phillips screwdriver.



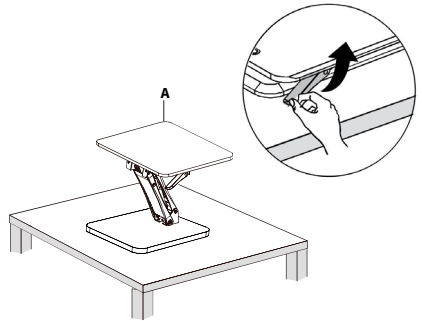
STEP 3

Mount Keyboard Tray (C) to Keyboard Tray Bracket (B) using M5x12mm Screws (S-A).



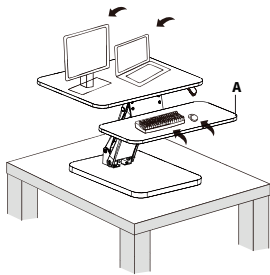
STEP 4

Squeeze the handle on the right side, then raise or lower Desk (A) to desired height.



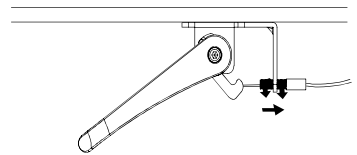
STEP 5

Place items on Desk (A) as desired. Please do not exceed weight limit of 17.6 lbs.



STEP 6

If lock is not releasing properly to change desk height, adjust the position of the black tube containing the steel release cable. Turn the nuts at the end of the tube just behind the handle as shown below, moving the tube away from the handle until the cable once again has proper tension, then tighten the nuts.



CAUTION!



Keep monitor and laptop base fully on the desktop.



Follow the cable routing instructions to avoid the potential to pinch cables.



Leave enough slack in cable to allow for full range of vertical motion (16" / 41 cm).



Raise desktop slowly to keep items stable.

Failure to follow these instructions may result in property damage and/or personal injury.



Open **Monday - Friday 7:00am - 7:00pm** CST,
our dedicated support team can offer immediate assistance with rapid response times. If any parts are received damaged or defective, please contact us. We are happy to replace parts to ensure you have a fully functioning product.



309-278-5303

AVG. RESOLUTION TIME (*within office hrs*): **5M 4S**



www.vivo-us.com
Chat live with an agent!

AVG. RESOLUTION TIME (*within office hrs*): **< 15 M**



help@vivo-us.com

AVG. RESPONSE TIME (*within office hrs*): **1HR 8M**

- 23% within < 15m
- 38% within < 30m
- 61% within < 1hr
- 83% within < 2hr
- 92% within < 3hr