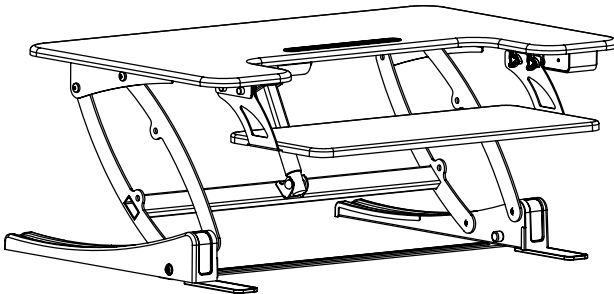




---

## Black 36" Electric Desk Riser

### Instruction Manual



**SKU: DESK-V000VE**



Scan the QR code with your mobile device or follow the link for helpful videos and specifications related to this product.

<https://vivo-us.com/products/desk-v000ve>

---

**GET IN TOUCH** | Monday-Friday from 7:00am-7:00pm CST



help@vivo-us.com



www.vivo-us.com  
*Chat live with an agent!*



309-278-5303

## **WARNING!**

If you do not understand these directions, or if you have any doubts about the safety of the installation, please call a qualified technician. Check carefully to make sure there are no missing or defective parts. Improper installation may cause damage or serious injury. Do not use this product for any purpose that is not explicitly specified in this manual and do not exceed weight capacity. We cannot be liable for damage or injury caused by improper mounting, incorrect assembly, or inappropriate use.

## **WARNING: CHOKING HAZARD**

SMALL PARTS - NOT FOR CHILDREN UNDER 3 YEARS. ADULT SUPERVISION IS REQUIRED.

## **ELECTRICAL SAFETY INSTRUCTIONS**

THIS PRODUCT IS POWERED BY ELECTRICITY. IN ORDER TO AVOID BURNS, FIRE AND ELECTRIC SHOCK, PLEASE READ THE FOLLOWING INSTRUCTIONS CAREFULLY.

- DO NOT CLEAN PRODUCT WHILE POWER IS CONNECTED.
- DO NOT DISASSEMBLE OR REPLACE COMPONENTS WHILE POWER IS CONNECTED.
- NEVER OPERATE THE SYSTEM WITH A DAMAGED CORD OR PLUG. PLEASE CONTACT YOUR SELLER TO REPLACE DAMAGED PARTS.
- NEVER OPERATE SYSTEM IN DAMP ENVIRONMENTS OR IF ANY ELECTRICAL COMPONENTS HAVE MADE CONTACT WITH LIQUIDS.
- ALTERATIONS OF THE GIVEN POWER UNIT ARE NOT ALLOWED.
- OUTDOOR USE IS PROHIBITED.

## **PACKAGE CONTENTS**



**A (x1)**  
Adjustable  
Desktop



**B (x2)**  
Foot



**C (x10)**  
M5x10mm



**D (x1)**  
Cable Clip



**E (x2)**  
Ziptie



**F (x1)**  
Keyboard  
Tray



**G (x2)**  
Bracket



**H (x1)**  
Power Cable

## TOOLS NEEDED



# ⚠ WARNING

## PINCH POINT

DO NOT place hands on or near support bars. Moving parts can crush and cut. Pinch points are created during lifting and lowering the worksurface. Failure to follow these instructions may result in serious personal injury.



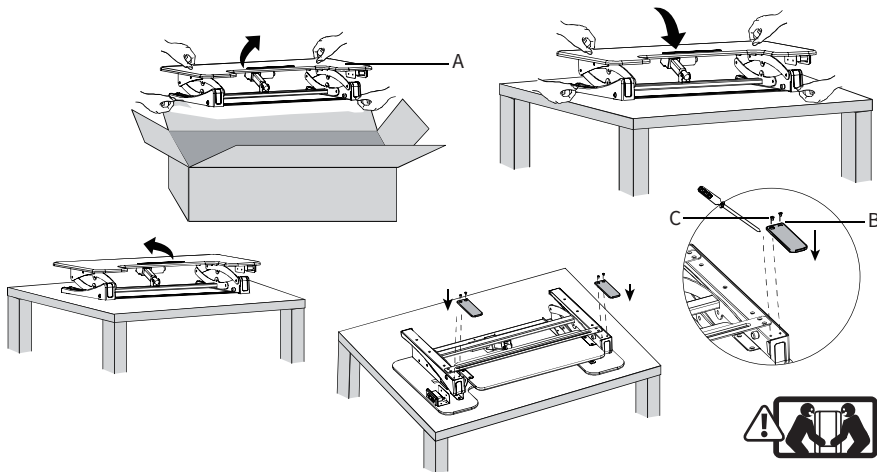
DO NOT EXCEED WEIGHT CAPACITY.  
Failure to do so may result in serious injury.

33 lbs  
(14.97kg)

## ASSEMBLY STEPS

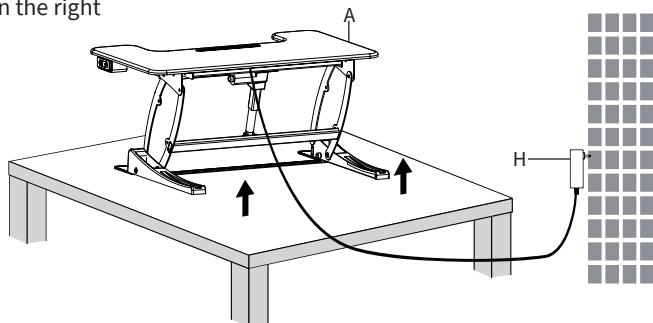
### STEP 1

Remove Desk **(A)** from the packaging and place upside down onto a flat surface. Attach Feet **(B)** to the frame using M5x10mm Screws **(C)**.



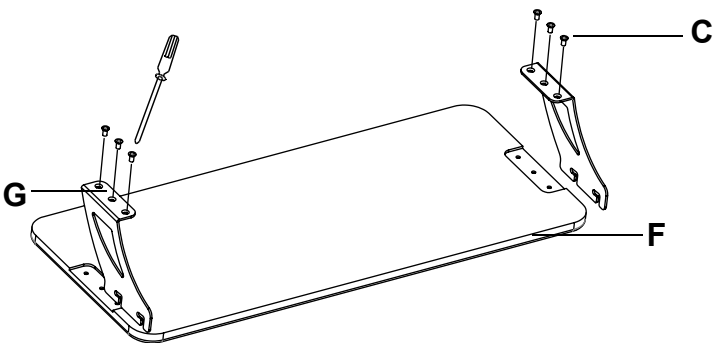
### STEP 2

Connect Power Cable **(H)** to Desk **(A)** and plug the other end into an AC outlet. Press the button on the right side to raise the desktop.

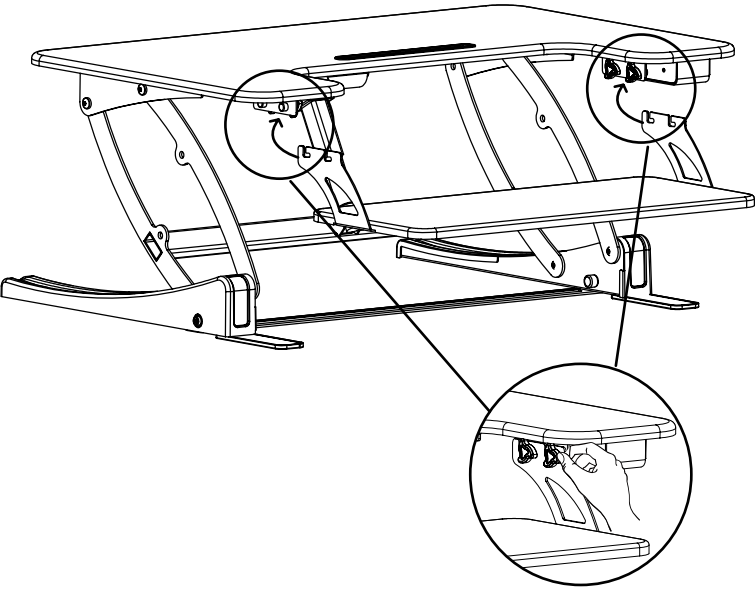


**STEP 3**

Mount Brackets **(G)** to Keyboard Tray **(F)** using M5x10mm Screws **(C)**.

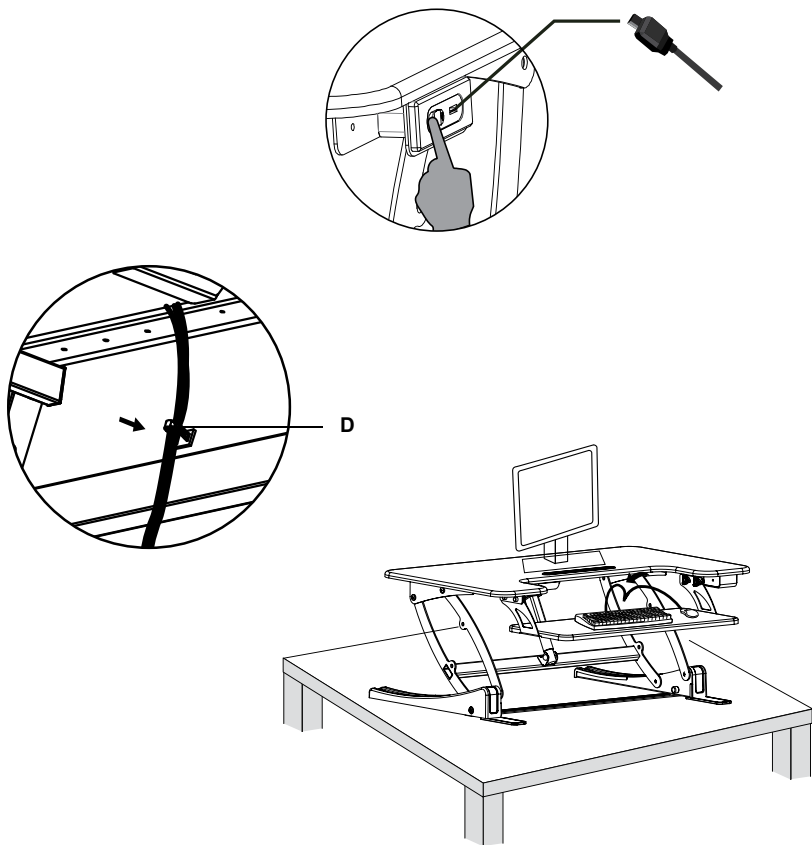


Hang assembled keyboard tray onto pre-installed knobs, and tighten knobs to secure.



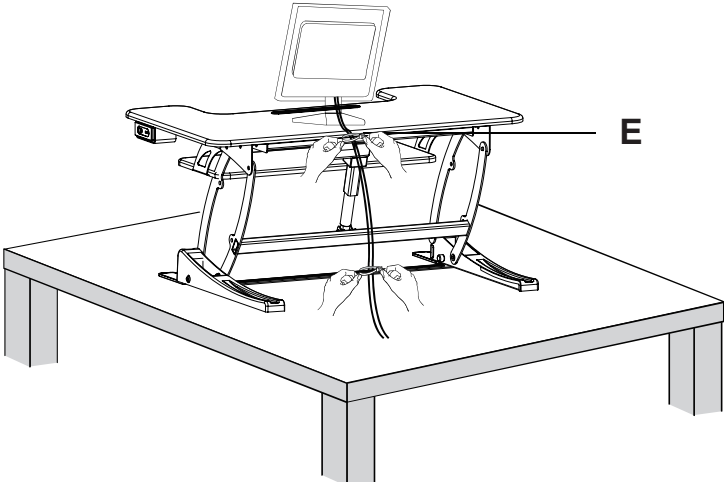
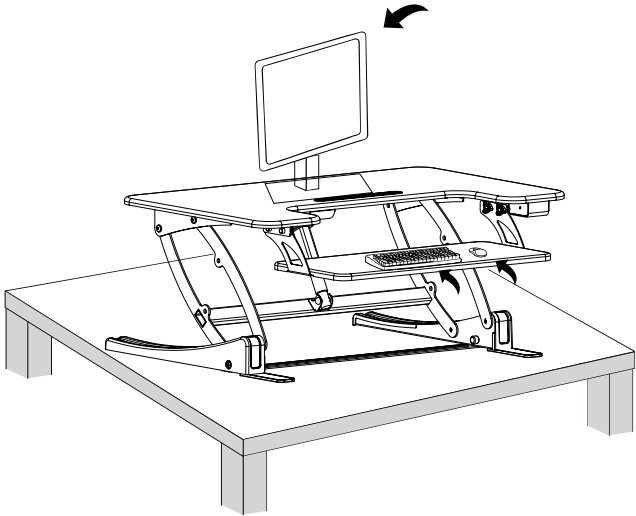
## STEP 4

The USB 2.0 port allows for charging of a phone, tablet or other device. Attach adhesive Cable Clip (**D**) where desired.



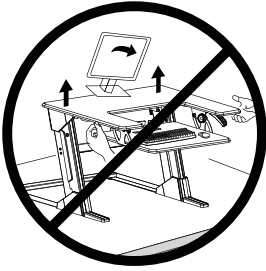
STEP 5

Place items on desktop. Manage cables using Zipties (E).

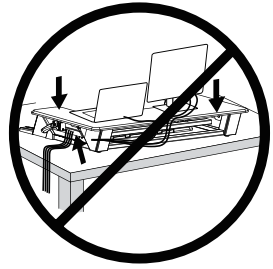




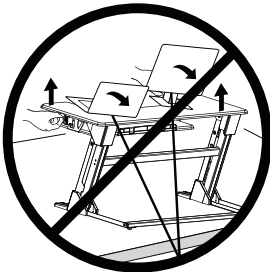
## CAUTION!



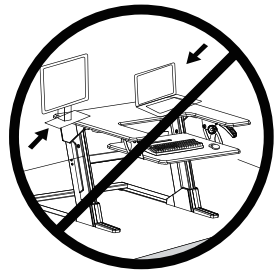
Keep monitor and laptop base fully on the desktop.



Follow the cable routing instructions to avoid the potential to pinch cables.



Leave enough slack in cable to allow for full range of vertical motion (15" / 38 cm).



Raise desktop slowly to keep items stable.

Failure to follow these instructions may result in property damage and/or personal injury.



Open **Monday - Friday 7:00am - 7:00pm** CST,  
our dedicated support team can offer immediate assistance with rapid response times. If any parts are received damaged or defective, please contact us. We are happy to replace parts to ensure you have a fully functioning product.



309-278-5303

**AVG. RESOLUTION TIME** (*within office hrs*): **5M 4S**

---



[www.vivo-us.com](http://www.vivo-us.com)  
*Chat live with an agent!*

**AVG. RESOLUTION TIME** (*within office hrs*): **< 15 M**

---



[help@vivo-us.com](mailto:help@vivo-us.com)

**AVG. RESPONSE TIME** (*within office hrs*): **1HR 8M**

- 23% within < 15m
- 38% within < 30m
- 61% within < 1hr
- 83% within < 2hr
- 92% within < 3hr