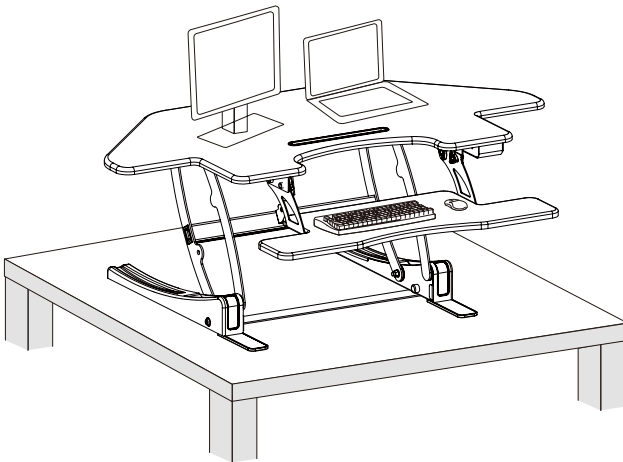




Black Electric Desk Riser

Instruction Manual



SKU: DESK-V000VCE



Scan the QR code with your mobile device or follow the link for helpful videos and specifications related to this product.

<https://vivo-us.com/products/desk-v000vce>

GET IN TOUCH | Monday-Friday from 7:00am-7:00pm CST



help@vivo-us.com



www.vivo-us.com
Chat live with an agent!



309-278-5303

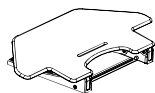
⚠ WARNING!

If you do not understand these directions, or if you have any doubts about the safety of the installation, please call a qualified technician. Check carefully to make sure there are no missing or defective parts. Improper installation may cause damage or serious injury. Do not use this product for any purpose that is not explicitly specified in this manual and do not exceed weight capacity. We cannot be liable for damage or injury caused by improper mounting, incorrect assembly, or inappropriate use.

⚠ WARNING: CHOKING HAZARD

SMALL PARTS - NOT FOR CHILDREN UNDER 3 YEARS. ADULT SUPERVISION IS REQUIRED.

PACKAGE CONTENTS



A (x1)
Adjustable
Desk



B (x2)
Extended
Feet



C (x1)
Cable Clip



D (x2)
Cable Tie



E (x1)
Keyboard Tray



F (x2)
Keyboard
Bracket



G (x1)
Power Cord



S-A (x10)
M5x10mm
Screws

TOOLS NEEDED



**⚠ WARNING
PINCH POINT**

DO NOT place hands on or near support bars. Moving parts can crush and cut. Pinch points are created during lifting and lowering the worksurface. Failure to follow these instructions may result in serious personal injury.



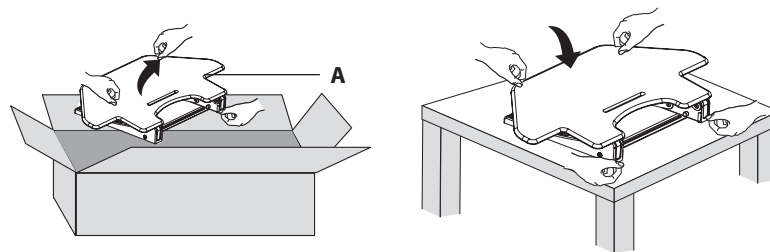
DO NOT EXCEED WEIGHT CAPACITY.
Failure to do so may result in serious injury.



ASSEMBLY STEPS

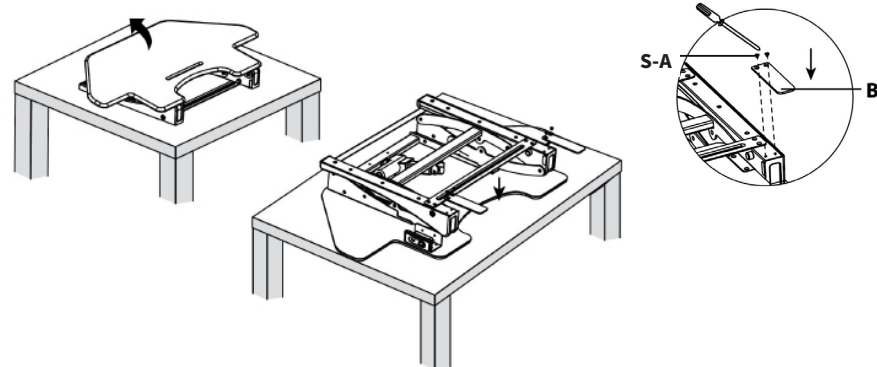
STEP 1

Carefully remove Desktop (A) from packaging and set it on a flat surface.



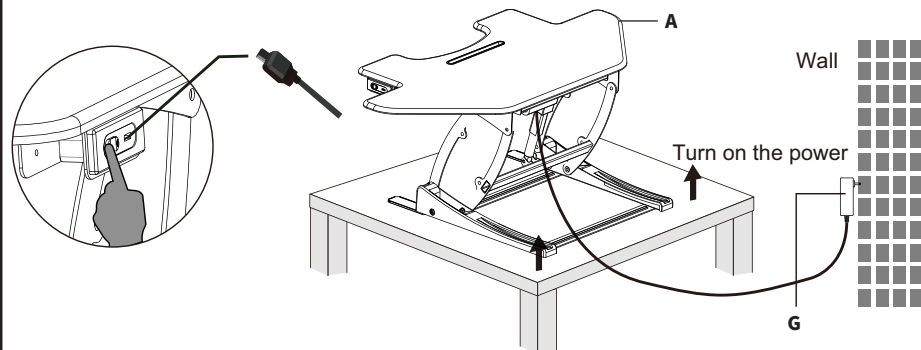
STEP 2

Flip the Desktop (A) upside down, then attach the Extended Feet (B) to the frame using M5x10mm Screws (S-A).



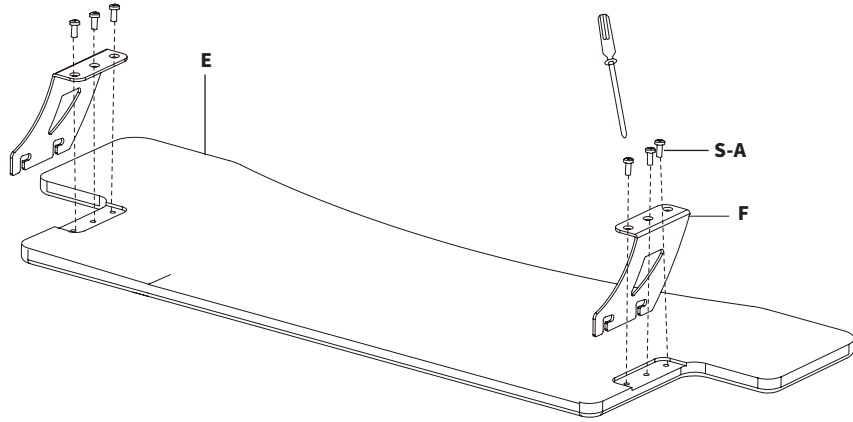
STEP 3

Connect the Power Cord (G) to the Desktop (A). Plug the cord into the wall and press the switch on the right side to raise the desktop.



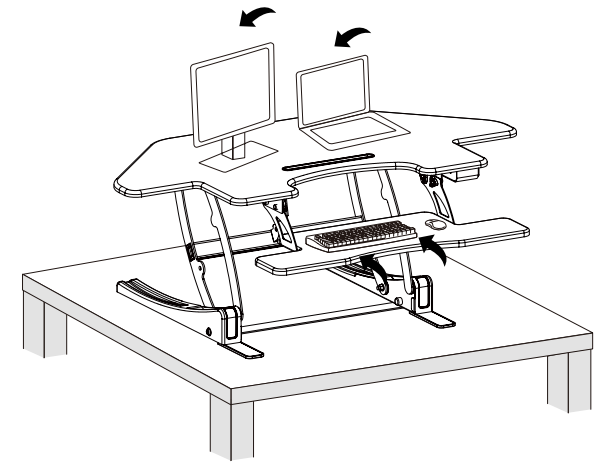
STEP 4

Mount the Keyboard Brackets (**F**) to the Keyboard Tray (**E**) using M5x10 Screws (**S-A**) with a Phillips screwdriver.



STEP 6

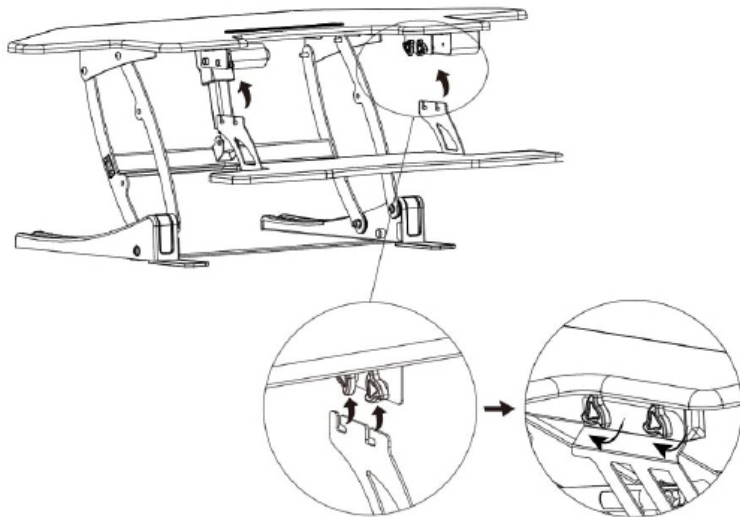
Place monitor, laptop and other items on desk surface.



STEP 5

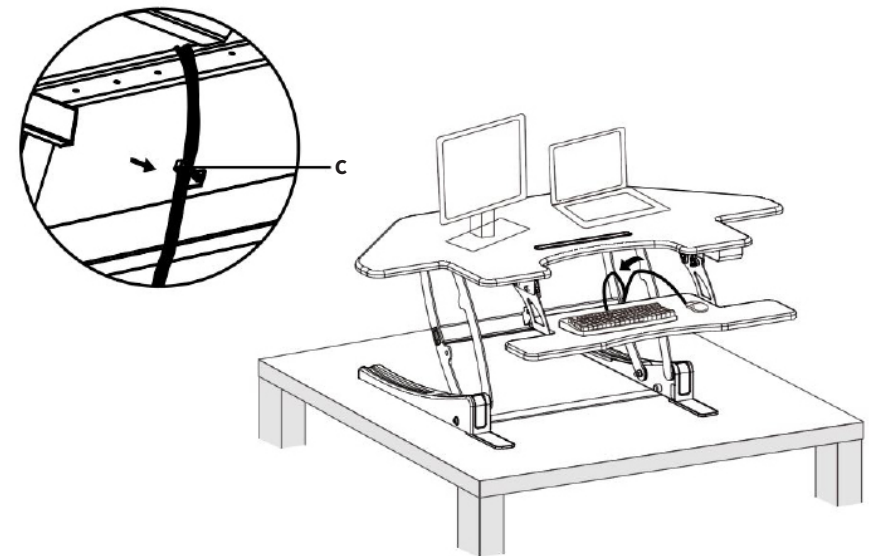
Hang assembled keyboard tray onto pre-installed knobs, and tighten knobs to secure.

NOTE: Make sure the keyboard brackets are curving towards the user, not towards the inside of the desk.



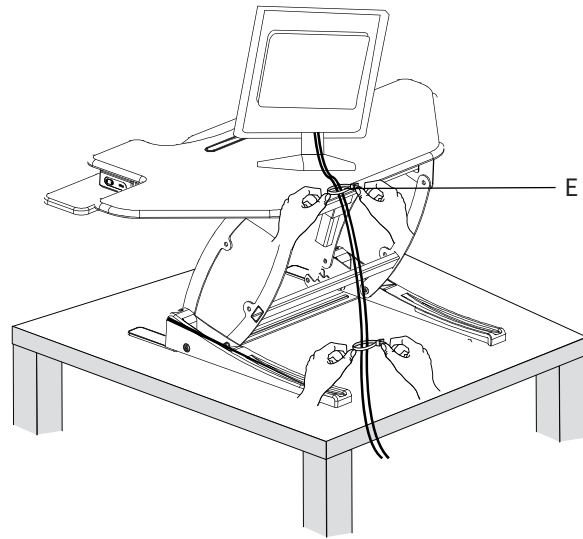
STEP 7

Attach Cable Clips (**C**) to desk to manage keyboard and mouse cables.



STEP 8

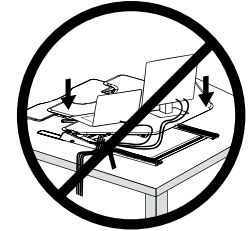
Manage cables using the zip ties (E).



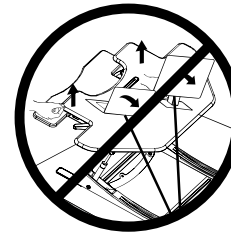
 CAUTION!



Keep monitor and laptop base fully on the desktop.



Follow the cable routing instructions to avoid the potential to pinch cables.



Leave enough slack in cable to allow for full range of vertical motion (15" / 38 cm).



Raise desktop slowly to keep items stable.

Failure to follow these instructions may result in property damage and/or personal injury.



Love your new VIVO setup and want to share?
Tag us in your photo! **@vivo_us**

LAST UPDATED: 09/28/2022
REV2



Open **Monday - Friday 7:00am - 7:00pm** CST,
our dedicated support team can offer immediate assistance with rapid response times. If any parts are received damaged or defective, please contact us. We are happy to replace parts to ensure you have a fully functioning product.



help@vivo-us.com

AVG. RESPONSE TIME (*within office hrs*): **1HR 8M**

- 23% within < 15m
- 38% within < 30m
- 61% within < 1hr
- 83% within < 2hr
- 92% within < 3hr



www.vivo-us.com
Chat live with an agent!

AVG. RESOLUTION TIME (*within office hrs*): **< 15 M**



309-278-5303

AVG. RESOLUTION TIME (*within office hrs*): **5M 4S**

FOR MORE VIVO PRODUCTS, CHECK OUT OUR WEBSITE AT: www.vivo-us.com