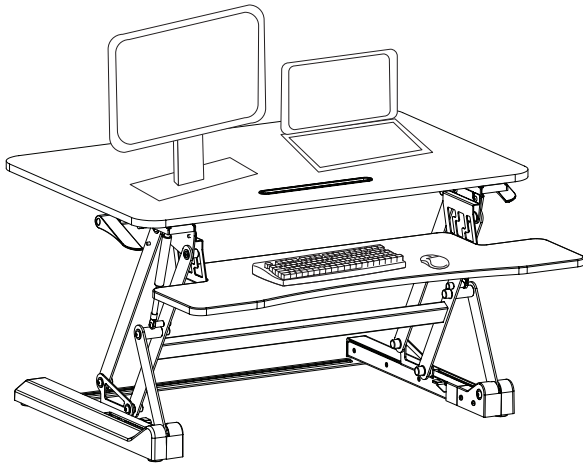




---

## Black Deluxe Desk Riser

### Instruction Manual



**SKU: DESK-V000DB**



Scan the QR code with your mobile device or follow the link for helpful videos and specifications related to this product.

<https://vivo-us.com/products/desk-v000db>

---

GET IN TOUCH | Monday-Friday from 7:00am-7:00pm CST



help@vivo-us.com



www.vivo-us.com  
*Chat live with an agent!*



309-278-5303

# **WARNING!**

If you do not understand these directions, or if you have any doubts about the safety of the installation, please call a qualified technician. Check carefully to make sure there are no missing or defective parts. Improper installation may cause damage or serious injury. Do not use this product for any purpose that is not explicitly specified in this manual and do not exceed weight capacity. We cannot be liable for damage or injury caused by improper mounting, incorrect assembly, or inappropriate use.

## PACKAGE CONTENTS



**A (x1)**  
Adjustable  
Desk Riser



**B (x2)**  
Keyboard  
Bracket



**C (x1)**  
Keyboard  
Tray



**D (x6)**  
Screw



**E (x1)**  
4mm Allen  
Wrench



**F (x1)**  
Cable Clip



**G (x2)**  
Cable Tie

## TOOLS NEEDED



Scissors



Phillips  
Screwdriver

# **WARNING**

## **PINCH POINT**

DO NOT place hands on or near support bars. Moving parts can crush and cut. Pinch points are created during lifting and lowering the worksurface. Failure to follow these instructions may result in serious personal injury.



**DO NOT EXCEED WEIGHT CAPACITY.**

Failure to do so may result in serious injury.



DESKTOP



KEYBOARD TRAY

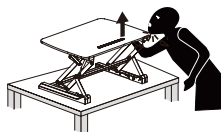
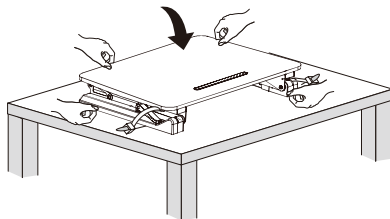
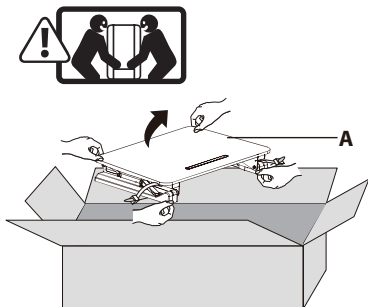
# **WARNING: CHOKING HAZARD**

SMALL PARTS - NOT FOR CHILDREN UNDER 3 YEARS. ADULT SUPERVISION IS REQUIRED.

# ASSEMBLY STEPS

## STEP 1

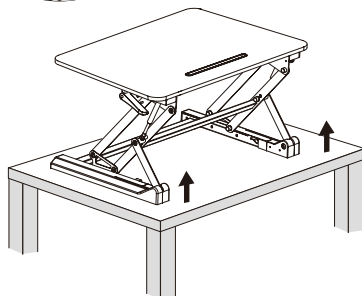
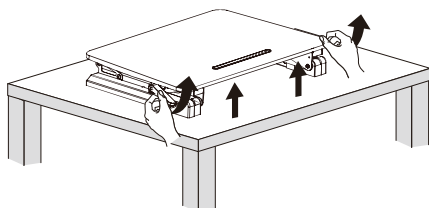
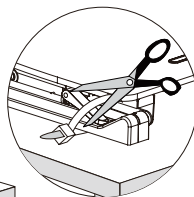
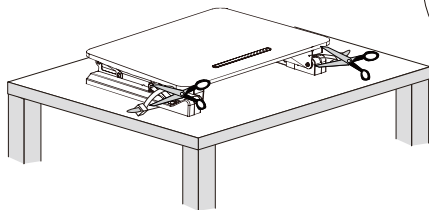
Carefully remove the adjustable desk riser (A) from packaging and set on a table.



Warning: Impact Hazard! Moving Parts can Crush and Cut.

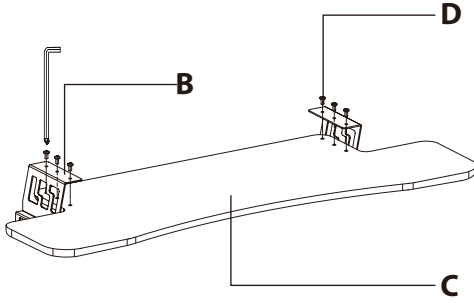
## STEP 2

Cut ties from the desk. Lift both handles and raise the desktop.



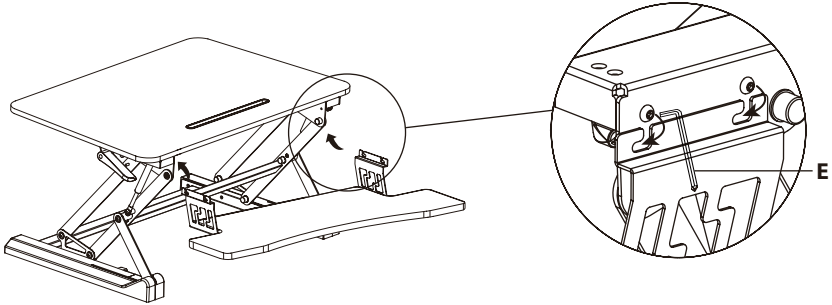
### STEP 3

Flip the keyboard tray (C) upside down and attach the brackets (B) to the tray using screws (D) and a Phillips screwdriver or the Phillips end of the Allen wrench (E).



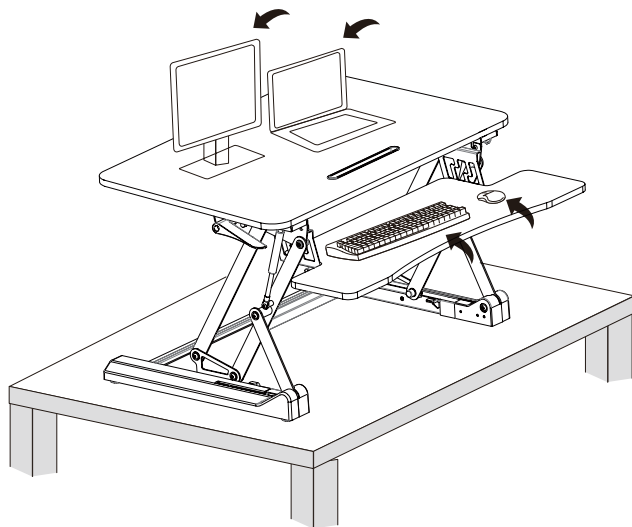
### STEP 4

Loosen the four bolts located on the frame under the desktop, then attach the brackets with keyboard tray to the desk using the Allen wrench (E).



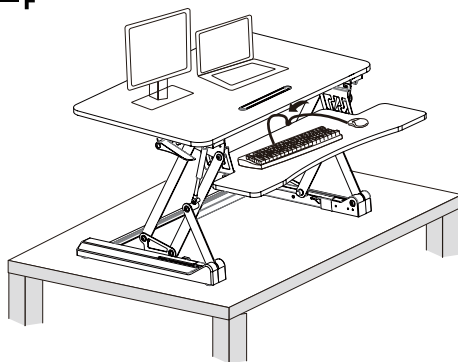
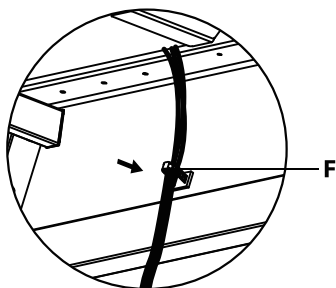
## STEP 5

Place monitor, laptop and other items on the desk surface.



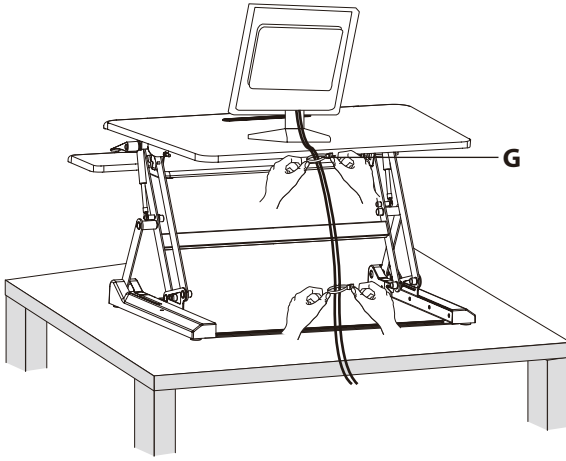
## STEP 6

Attach the cable clip (**F**) where desired and organize cables.

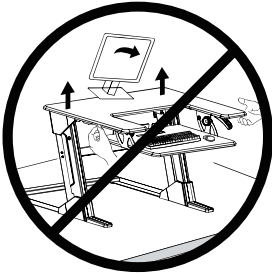


## STEP 7

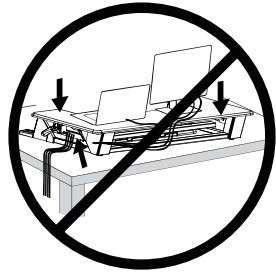
Use the cable ties (**G**) for further cable management.



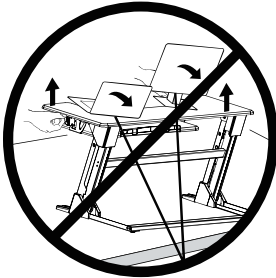
**⚠ CAUTION!**



Keep monitor and laptop base fully on the desktop.



Follow the cable routing instructions to avoid the potential to pinch cables.



Leave enough slack in cables to allow for full range of vertical motion (13" / 33cm).



Raise desktop slowly to keep items stable.

Failure to follow these instructions may result in property damage and/or personal injury.



Love your new VIVO setup and want to share?  
Tag us in your photo! **@vivo\_us**

LAST UPDATED: 12/16/2020  
REV2



Open **Monday - Friday 7:00am - 7:00pm** CST,

our dedicated support team can offer immediate assistance with rapid response times. If any parts are received damaged or defective, please contact us. We are happy to replace parts to ensure you have a fully functioning product.



[help@vivo-us.com](mailto:help@vivo-us.com)

**AVG. RESPONSE TIME** (*within office hrs*): **1HR 8M**

- 23% within < 15m
- 38% within < 30m
- 61% within < 1hr
- 83% within < 2hr
- 92% within < 3hr



[www.vivo-us.com](http://www.vivo-us.com)  
*Chat live with an agent!*

**AVG. RESOLUTION TIME** (*within office hrs*): **< 15 M**



309-278-5303

**AVG. RESOLUTION TIME** (*within office hrs*): **5M 4S**

FOR MORE VIVO PRODUCTS, CHECK OUT OUR WEBSITE AT: [www.vivo-us.com](http://www.vivo-us.com)