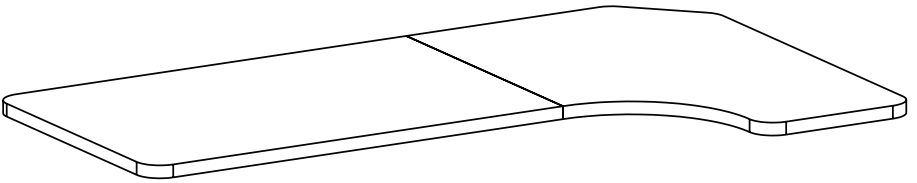


Black 58" x 35" Reversible Corner Table Top

Instruction Manual



SKU: DESK-TOP60R-B



Scan the QR code with your mobile device or follow the link for helpful videos and specifications related to this product.

<https://vivo-us.com/products/desk-top60r-b>

GET IN TOUCH | Monday-Friday from 7:00am-7:00pm CST



help@vivo-us.com



www.vivo-us.com
Chat live with an agent!



309-278-5303

! WARNING!

If you do not understand these directions, or if you have any doubts about the safety of the installation, please call a qualified technician. Check carefully to make sure there are no missing or defective parts. Improper installation may cause damage or serious injury. Do not use this product for any purpose that is not explicitly specified in this manual and do not exceed weight capacity. We cannot be liable for damage or injury caused by improper mounting, incorrect assembly, or inappropriate use.

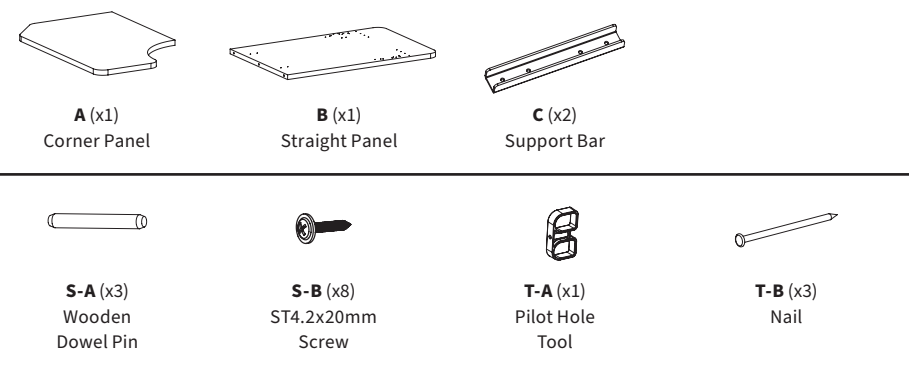
! WARNING: CHOKING HAZARD

SMALL PARTS - NOT FOR CHILDREN UNDER 3 YEARS. ADULT SUPERVISION IS REQUIRED.

TOOLS NEEDED



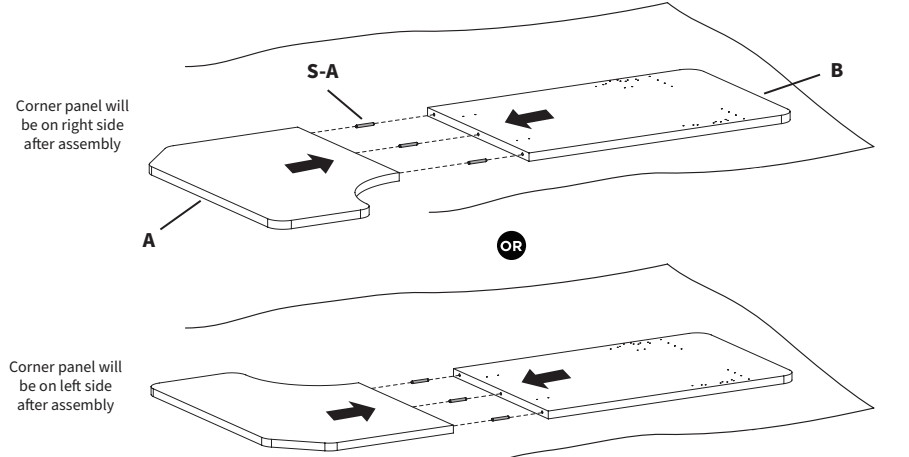
PACKAGE CONTENTS



ASSEMBLY STEPS

STEP 1

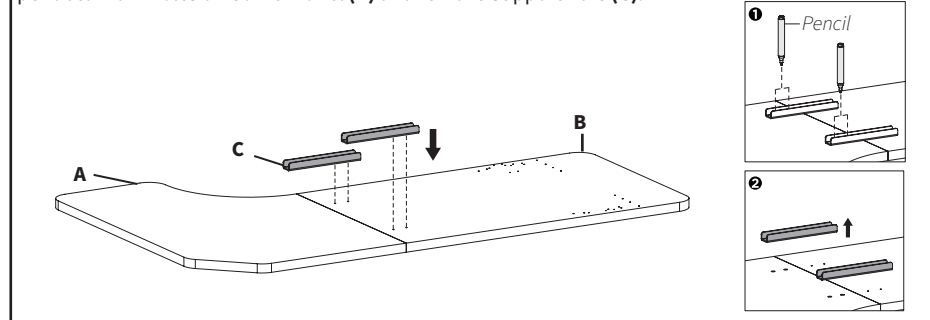
Place Desktop Panels (A, B) upside down on a protective surface. Connect Corner Panel (A) and Straight Panel (B) using Wooden Dowel Pins (S-A). The final orientation will be flipped since the desktop is being assembled upside down.



NOTE: Assembly will follow the left side corner for remaining steps.

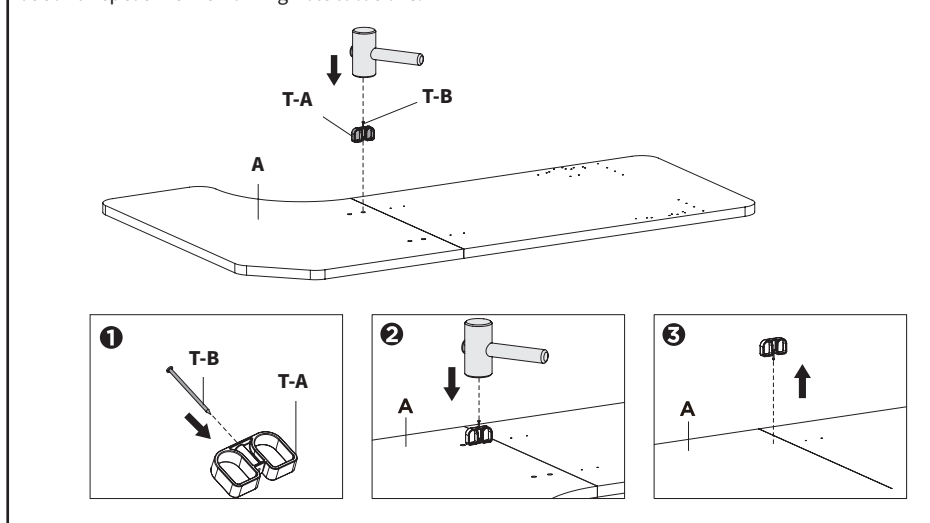
STEP 2

Place Support Bars (C) over assembled desktop and line up with the holes in Straight Panel (B). Use a pencil to mark holes on Corner Panel (A) and remove Support Bars (C).



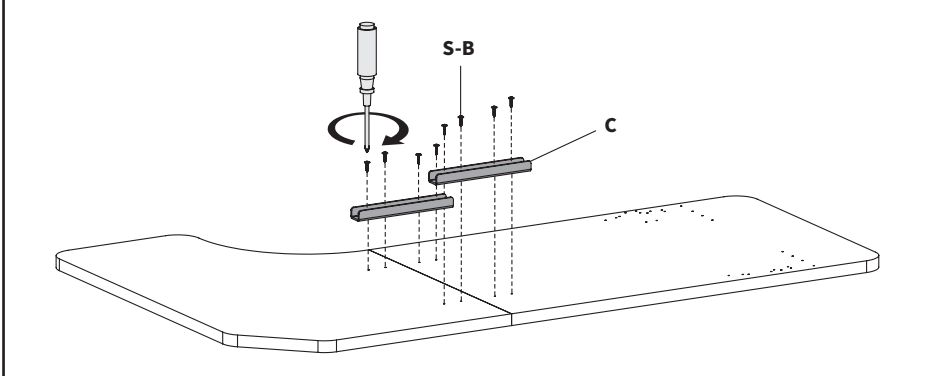
STEP 3

Insert Nail (T-B) through the top of Pilot Hole Tool (T-A). Align the tip of the nail on marked holes of Corner Panel (A) and hammer the nail until the head reaches the top of the pilot hole tool. Pull the tool out and repeat with remaining hole locations.



STEP 4

Secure Support Bars (C) to desktop assembly using ST4.2x20mm Screws (S-B) and a Phillips Screwdriver.





Open **Monday - Friday 7:00am - 7:00pm** CST,
our dedicated support team can offer immediate assistance with rapid response times. If any parts are received damaged or defective, please contact us. We are happy to replace parts to ensure you have a fully functioning product.



309-278-5303

AVG. RESOLUTION TIME (*within office hrs*): **5M 4S**



www.vivo-us.com
Chat live with an agent!

AVG. RESOLUTION TIME (*within office hrs*): **< 15 M**



help@vivo-us.com

AVG. RESPONSE TIME (*within office hrs*): **1HR 8M**

- 23% within < 15m
- 38% within < 30m
- 61% within < 1hr
- 83% within < 2hr
- 92% within < 3hr