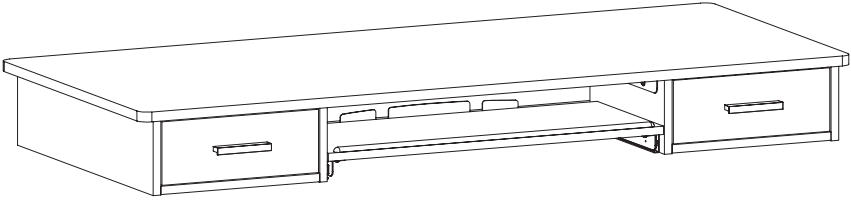


Vintage Brown 55" x 24" Table Top with Storage Drawers

Instruction Manual



SKU: DESK-TOP5M-N



Scan the QR code with your mobile device or follow the link for helpful videos and specifications related to this product.

<https://vivo-us.com/products/desk-top5m-n>

GET IN TOUCH | Monday-Friday from 7:00am-7:00pm CST



help@vivo-us.com



www.vivo-us.com
Chat live with an agent!



309-278-5303

WARNING!

If you do not understand these directions, or if you have any doubts about the safety of the installation, please call a qualified technician. Check carefully to make sure there are no missing or defective parts. Improper installation may cause damage or serious injury. Do not use this product for any purpose that is not explicitly specified in this manual and do not exceed weight capacity. We cannot be liable for damage or injury caused by improper mounting, incorrect assembly, or inappropriate use.

WARNING: CHOKING HAZARD

SMALL PARTS - NOT FOR CHILDREN UNDER 3 YEARS. ADULT SUPERVISION IS REQUIRED.

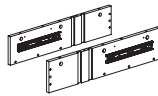
PACKAGE CONTENTS



A (x1)
Main Desktop



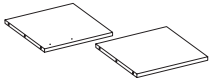
B (x1)
Drawer Frame Back



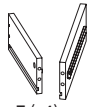
C (x2)
Outer Drawer Frame



D (x2)
Inner Drawer Frame



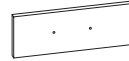
E (x2)
Drawer Frame Bottom



F (x4)
Drawer Sides



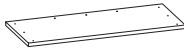
G (x2)
Drawer Back



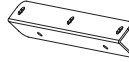
H (x2)
Drawer Front



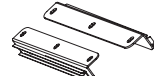
I (x2)
Drawer Bottom



J (x1)
Keyboard Tray



K (x2)
Mounting Bracket



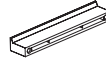
L (x2)
Keyboard Tray Bracket 1



M (x1)
Keyboard Stop



N (x1)
Wrist Pad



O (x2)
Drawer Handle



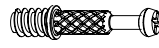
S-A (x5)
M4x20mm Screw



S-B (x18)
ST5x15mm Screw



S-C (x4)
ST5x10mm Screw



S-D (x31)
Cam Lock Screw



S-E (x31)
Cam Lock



S-F (x22)
Wood Dowels



T-A (x1)
5mm Allen Wrench

TOOLS NEEDED



**Phillips
Screwdriver**

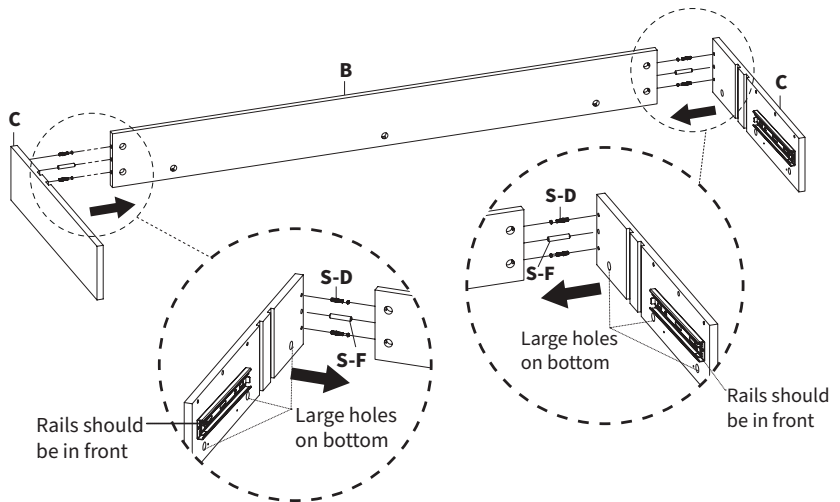


DO NOT EXCEED WEIGHT CAPACITY.
Failure to do so may result in serious injury.

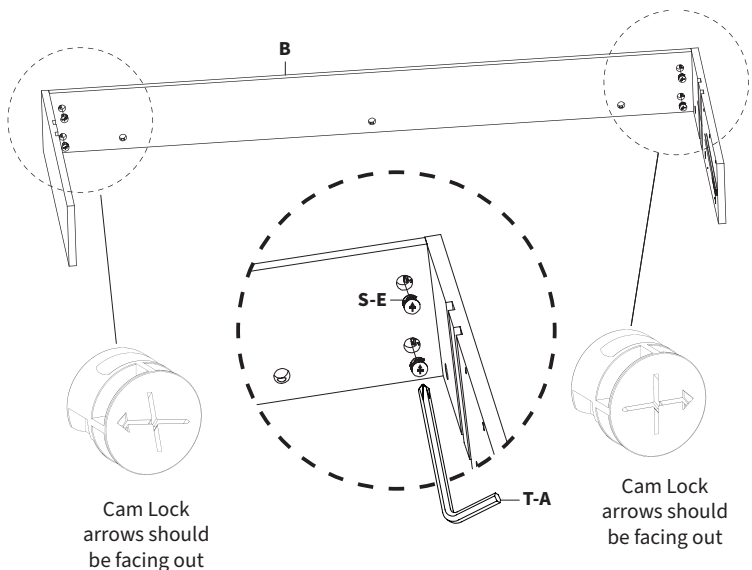
ASSEMBLY STEPS

STEP 1

Insert two Cam Lock Screws (**S-D**) each into the back of both Outer Drawer Frame (**C**) pieces, using the top and bottom holes. Slide Outer Drawer Frame (**C**) pieces into sides of Drawer Frame Back (**B**) with Connecting Dowels (**S-F**) in middle holes. **Please Note:** Rails should be towards the front, as shown below, with three larger holes on the bottom.

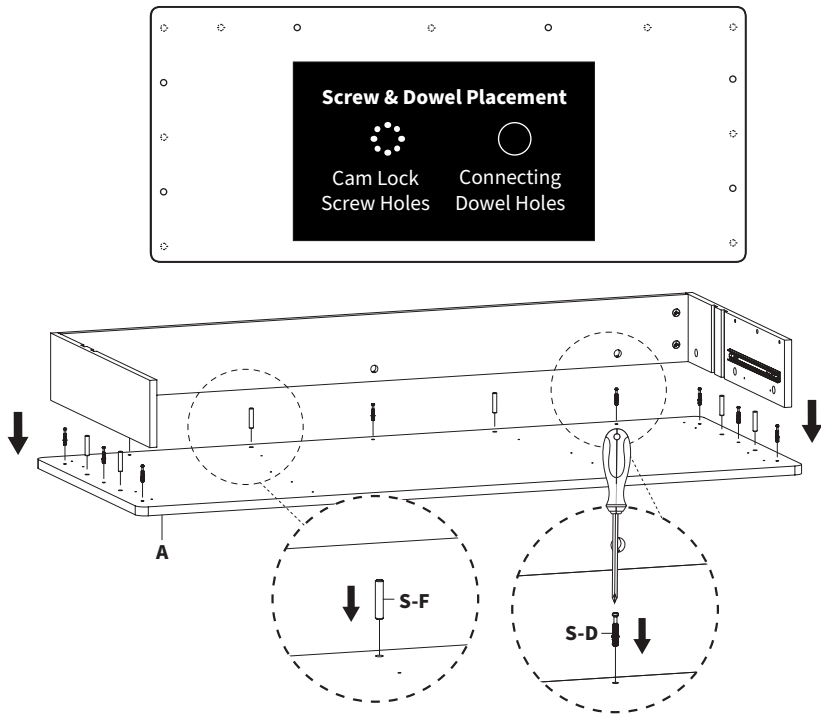


Insert four Cam Locks (**S-E**) into the matching holes in Drawer Frame Back (**B**) making sure the arrow on the Cam Lock is facing toward the Outer Drawer Frame. Tighten Cam Locks using the Phillips end of 5mm Allen Wrench (**T-A**).

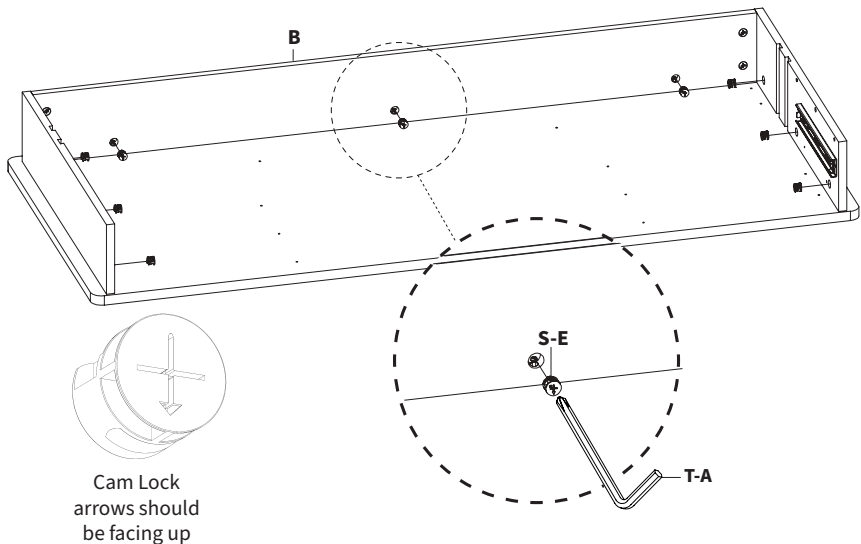


STEP 2

Insert nine Cam Lock Screws (**S-D**) into the underside of Main Desktop (**A**) in pre-drilled holes shown below using a Phillip screwdriver, then place six Connecting Dowels (**S-F**) into remaining holes. Slide outer frame assembly onto Main Desktop (**A**).

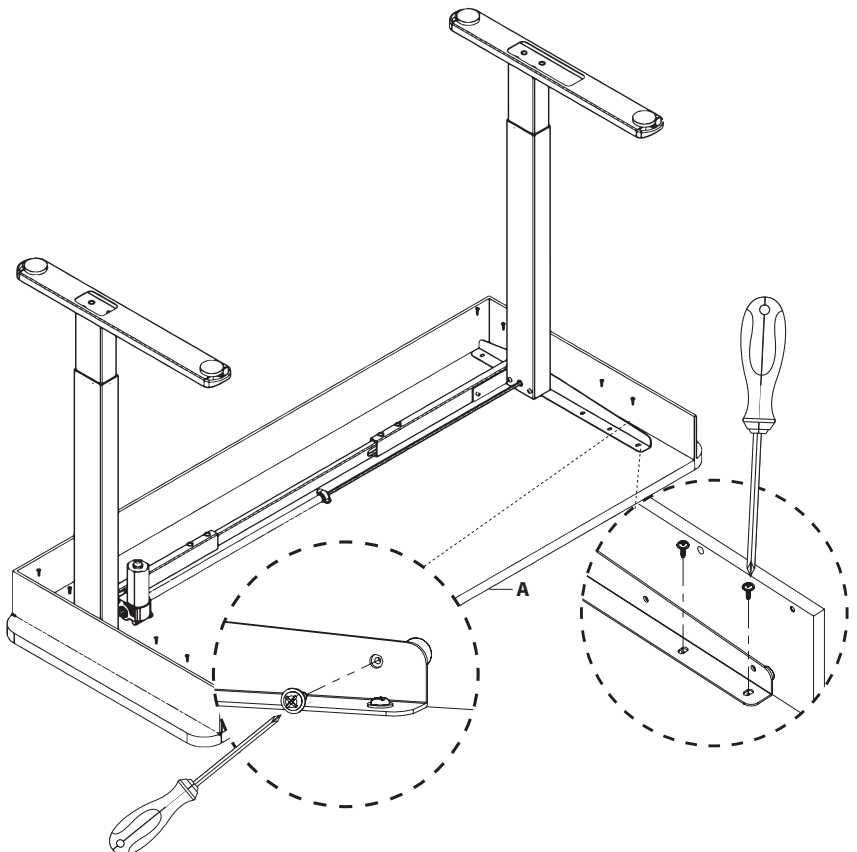
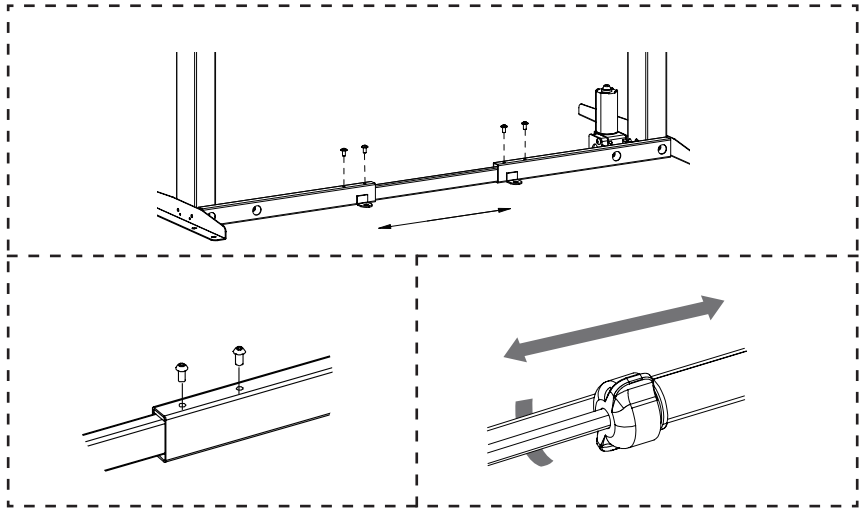


Insert nine Cam Locks (**S-E**) into the matching holes into the Outer Frame Assembly, making sure the arrow on the Cam Locks are facing down when installing. Tighten Cam Locks using Phillips end of 5mm Allen Wrench (**T-A**).



STEP 3

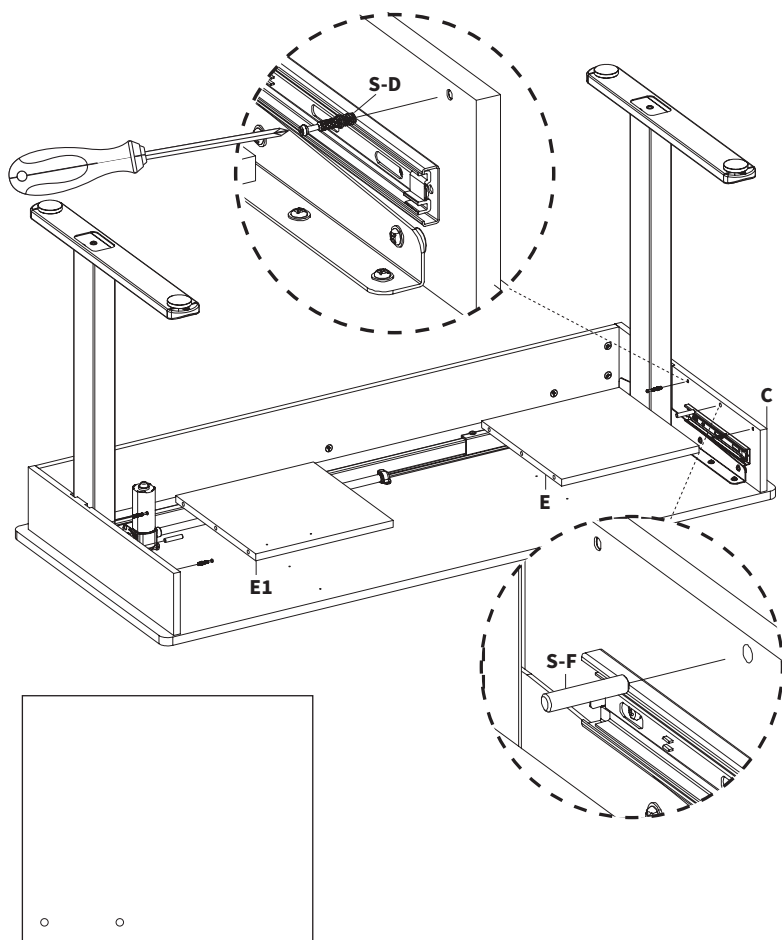
Loosen the sync rod and crossbar on your desk frame and align the mounting points with the pilot holes on the Main Desktop (**A**) and Outer Frame. Then connect the desk frame to the Main Desktop using the M5x16mm screws included with your desk frame and a Phillips screwdriver. Tighten the sync rod and crossbar to secure the desk frame. **Note: The frame and mounting screws are not included in this package.**



STEP 4

Install two Cam Lock Screws (**S-D**) into both Outer Drawer Frame (**C**) pieces using a Phillips screwdriver. Then use Connecting Dowels (**S-F**) on each side to slide Drawer Frame Bottom (**E**) pieces into the Outer Drawer Frame.

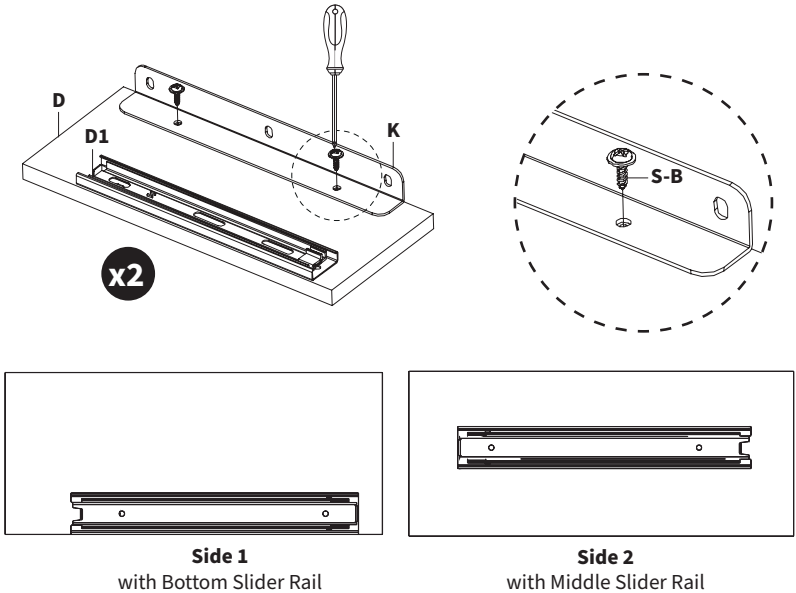
Please Note: One Drawer Frame Bottom (**E1**) piece has pilot holes pre-drilled for your desk frame's controller. Install Bottom piece with pilot holes facing out. If your setup requires that the controller be on the opposite side, pilot holes can be pre-drilled in a later step.



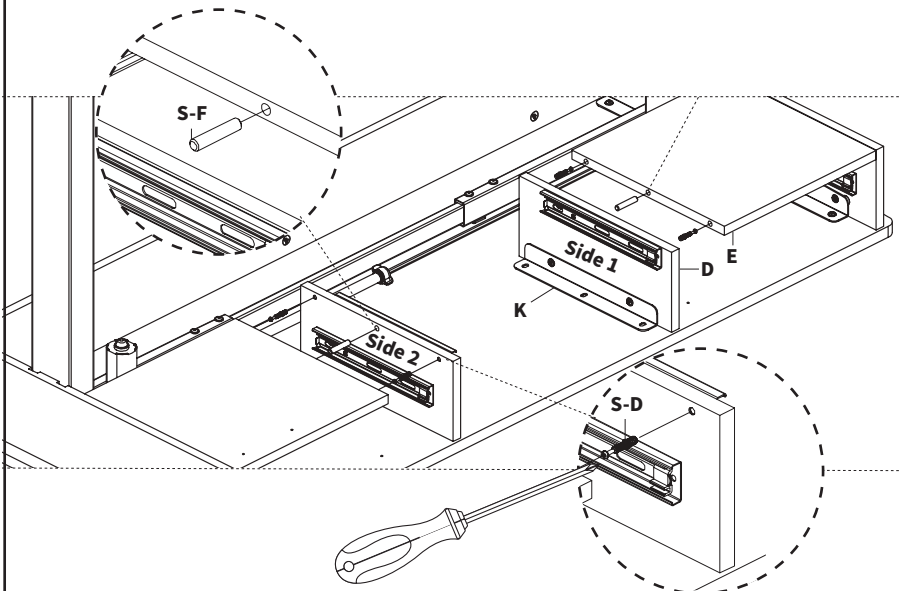
Pilot Holes on Drawer Frame Bottom (**E1**).

STEP 5

There is a slider rail on both sides of Inner Drawer Frame (**D**), one at the bottom, and one in the middle on the other side. Attach Mounting Brackets (**K**) to **Side 1** of Inner Drawer Frame (**D**) pieces using ST5x15mm Screws (**S-B**) and a Phillips screwdriver. Ensure mounting brackets are at the top of Frame pieces, with Slider Rails (**D1**) at the bottom.

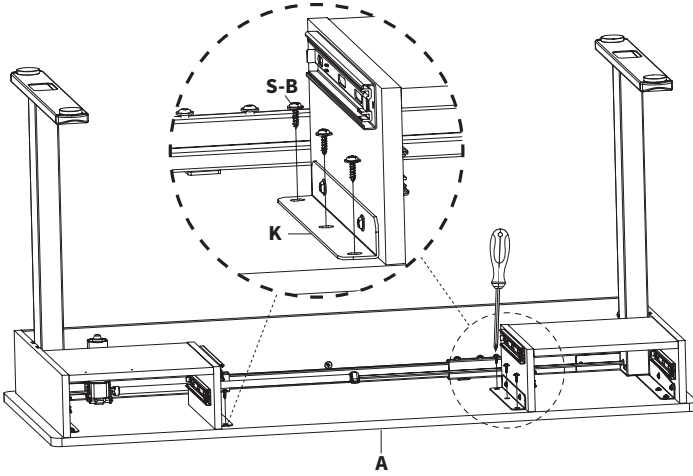


Install two Cam Lock Screws (**S-D**) each into Inner Drawer Frame (**D**) using a Phillips screwdriver. Place Inner Drawer Frame pieces on desktop assembly so that **Side 1** is facing away from drawer and **Side 2** is facing into towards the drawer, and Mounting Brackets (**K**) resting on desktop. Slide Inner Drawer Frame pieces into Drawer Frame Bottom (**E**) with Connecting Dowels (**S-F**).

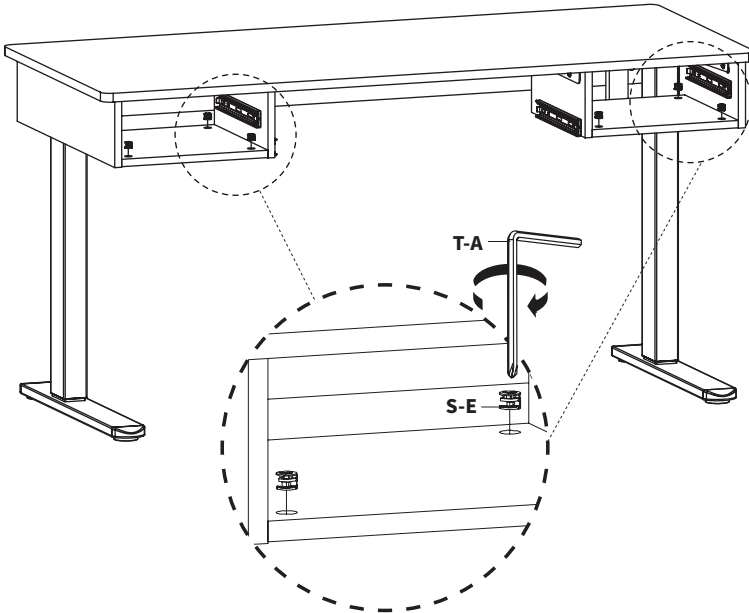


STEP 6

Secure Mounting Brackets (**K**) to Main Tabletop (**A**) using ST5x15mm Screws (**S-B**) and a Phillips screwdriver.

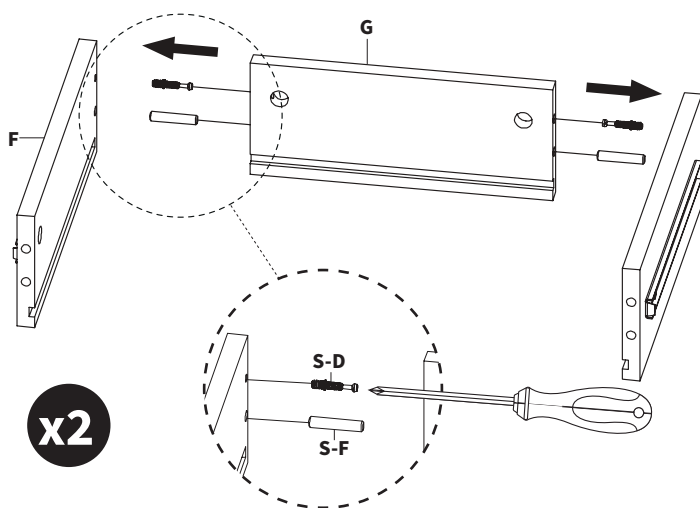


Flip desk over then install Cam Locks (**S-E**) into Drawer Frame Bottoms, ensuring arrows are facing the back of the desk before tightening with 5mm Allen Wrench (**T-A**).

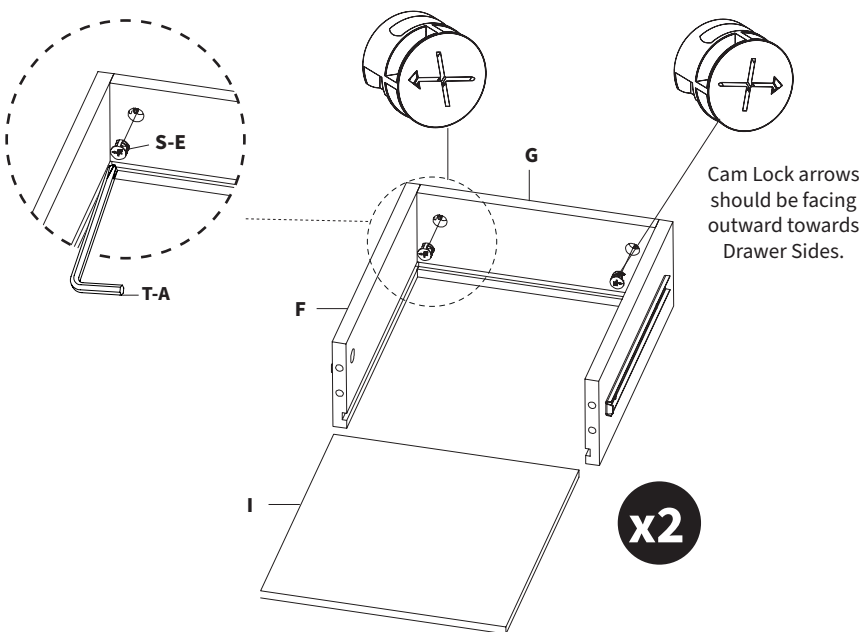


STEP 7

Install one Cam Lock Screw (**S-D**) into Drawer Sides (**F**) using a Phillips screwdriver, then slide into Drawer Back (**G**) with Connecting Dowels (**S-F**). Ensure Slider Rails are on the outside.

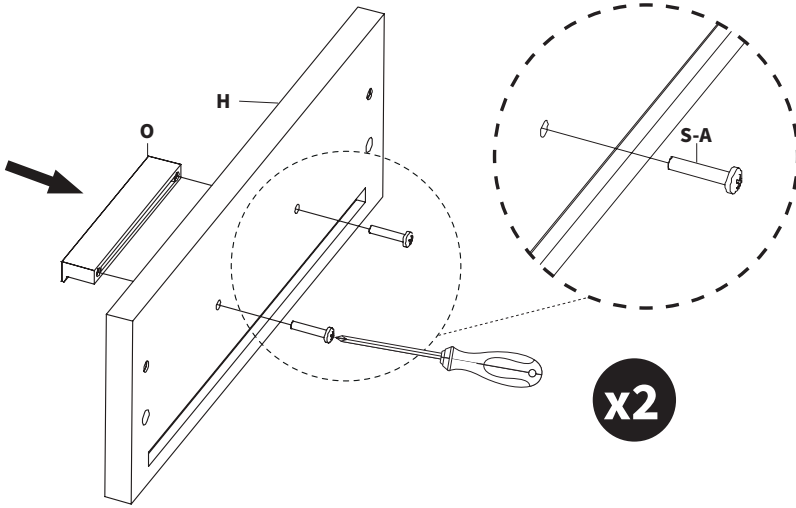


Insert Cam Locks (**S-E**) into Drawer Back (**G**) ensuring that the arrows are pointing outward towards Drawer Sides and tighten with the Phillips end of 5mm Allen Wrench (**T-A**). Slide Drawer Bottom (**I**) into the slots on Drawer Sides (**F**).

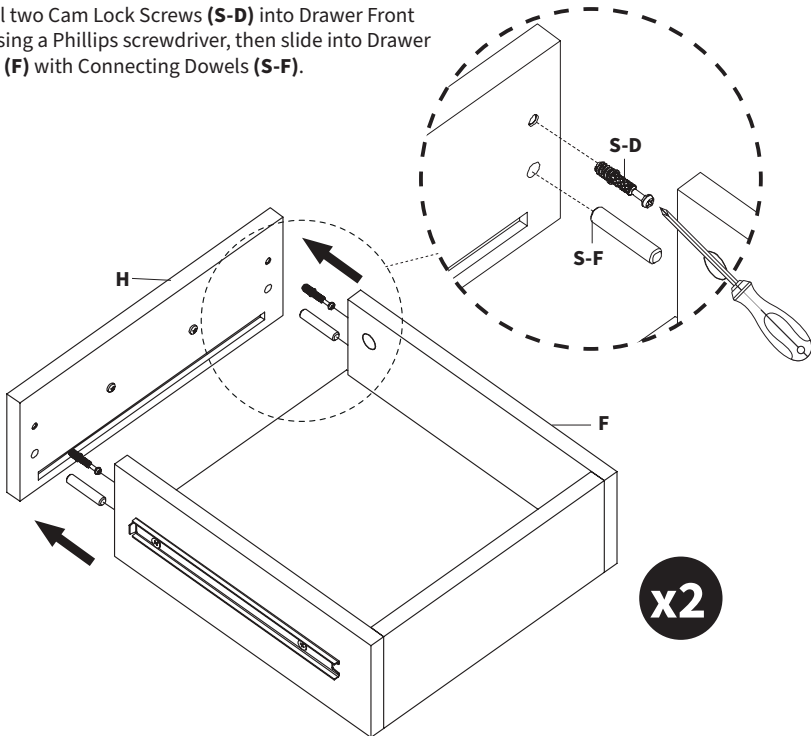


STEP 8

Install Drawer Handle (**O**) on Drawer Front (**H**) using S4x20mm Screws (**S-A**) using Phillips screwdriver.

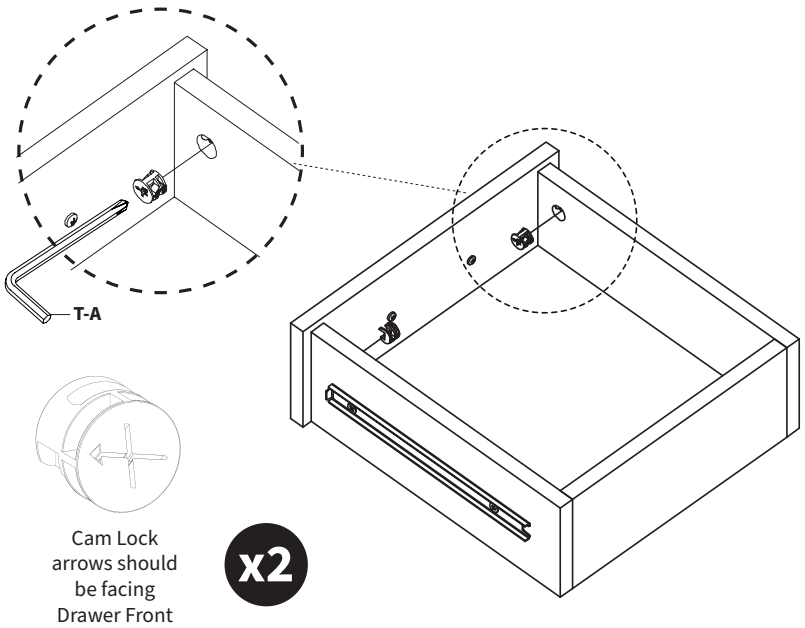


Install two Cam Lock Screws (**S-D**) into Drawer Front (**H**) using a Phillips screwdriver, then slide into Drawer Sides (**F**) with Connecting Dowels (**S-F**).

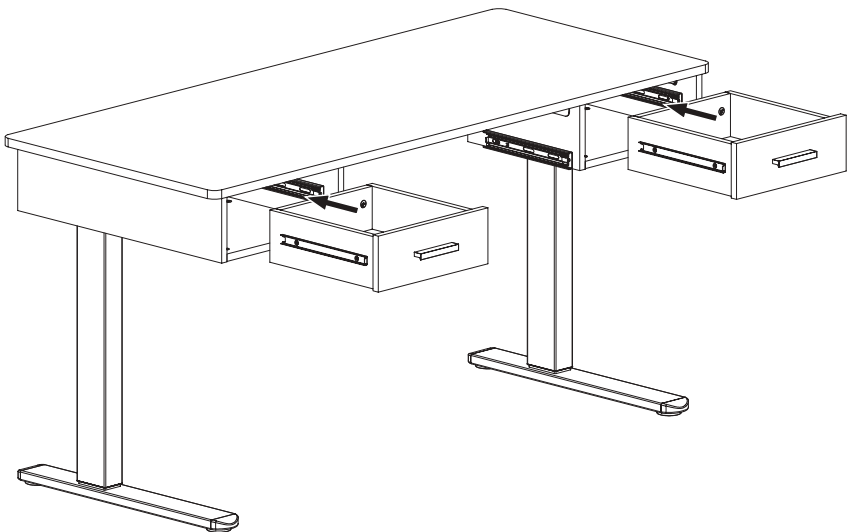


STEP 9

Insert Cam Locks (**S-E**) into Drawer Sides (**F**) ensuring that the arrows are pointing toward Drawer Front and tighten with the Phillips end of 5mm Allen Wrench (**T-A**).



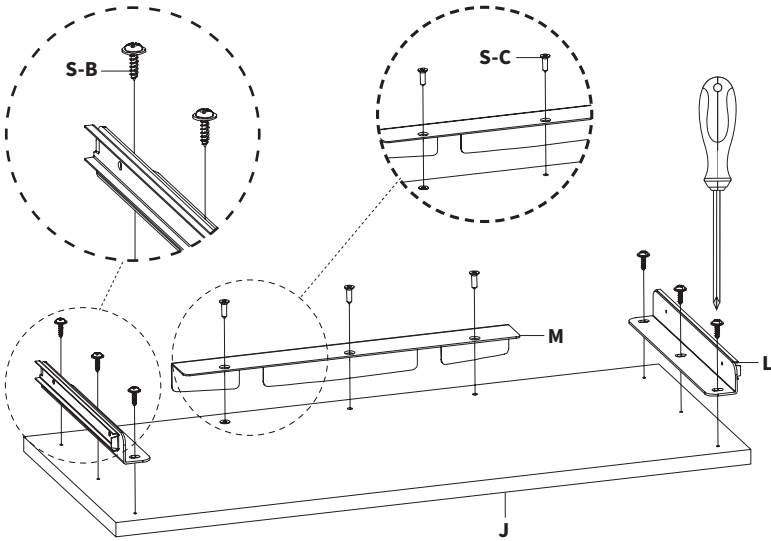
Slide both drawers into the desk.



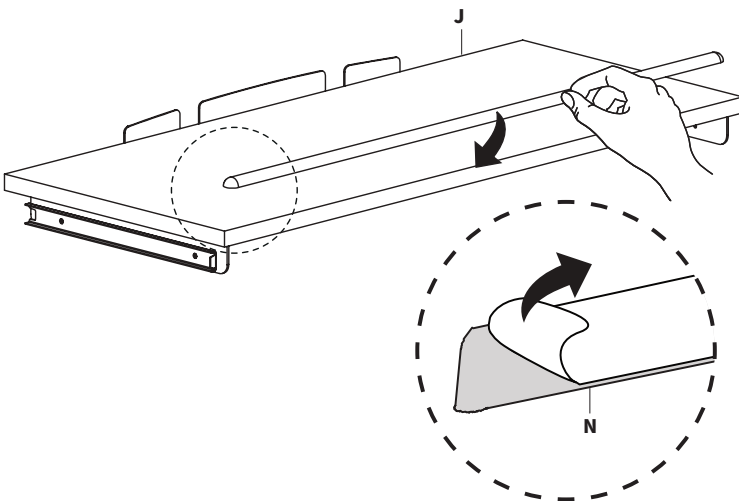
STEP 10

Attach Keyboard Tray Bracket (**L**) into Keyboard Tray (**J**) using ST5x15mm Screws (**S-B**), **DO NOT FULLY TIGHTEN** until keyboard tray is installed on desk. Ensure that **Slider Rails** are facing outward.

Attach Keyboard Stop (**M**) using ST5x10mm Screws (**S-C**).

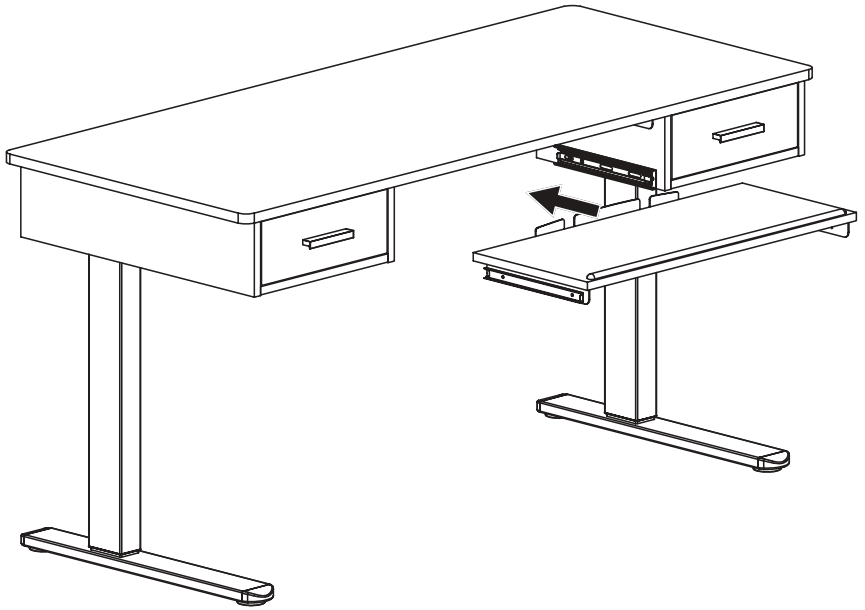


Remove adhesive backing and place Attach Wrist Pad (**N**) on the front edge of the Keyboard Tray (**J**).



STEP 11

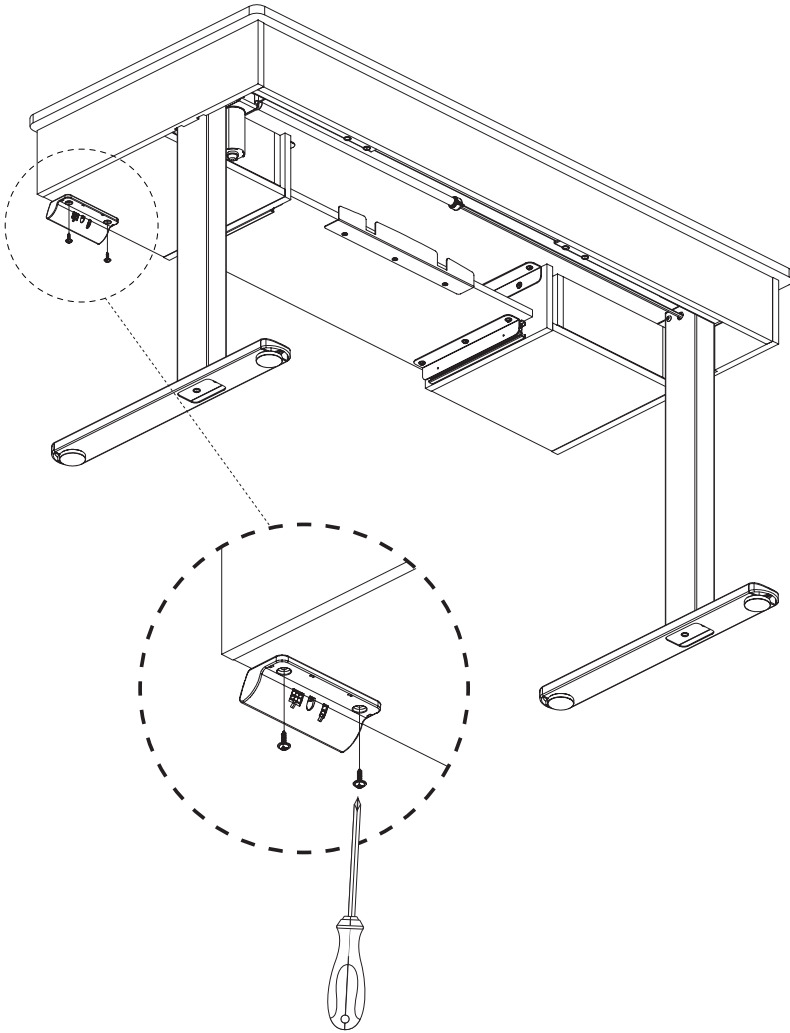
Slide keyboard tray onto slider rails on desk. Tighten and secure ST5x15mm Screws (**S-B**) on the underside of the keyboard tray.



STEP 12

Install your desk controller on the bottom of either drawer using M5x16mm screws provided with desk frame using a Phillips screwdriver.

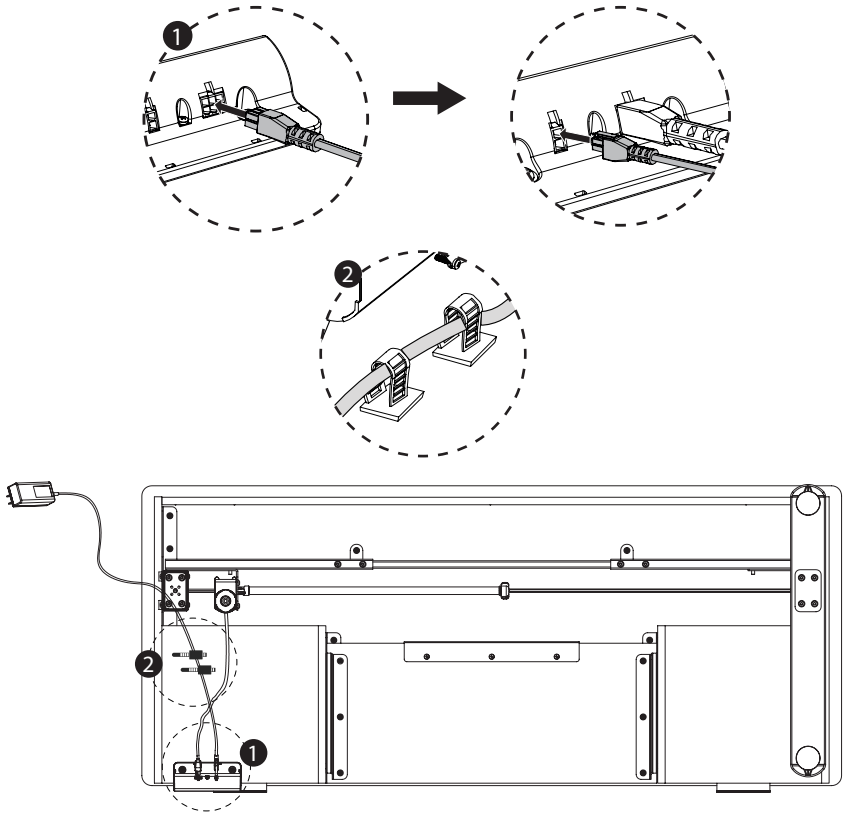
NOTE: THESE PARTS ARE NOT INCLUDED IN THIS PACKAGE.



STEP 13

Connect motor cable and power cable to controller securing to bottom of drawer using cable clips. Ensure there is enough slack in cables going to the control panel so that the drawer can still be used without damaging the controller.

NOTE: THESE PARTS ARE NOT INCLUDED IN THIS PACKAGE.





Open **Monday - Friday 7:00am - 7:00pm** CST,
our dedicated support team can offer immediate assistance with rapid response times. If any parts are received damaged or defective, please contact us. We are happy to replace parts to ensure you have a fully functioning product.



309-278-5303

AVG. RESOLUTION TIME (*within office hrs*): **5M 4S**



www.vivo-us.com
Chat live with an agent!

AVG. RESOLUTION TIME (*within office hrs*): **< 15 M**



help@vivo-us.com

AVG. RESPONSE TIME (*within office hrs*): **1HR 8M**

- 23% within < 15m
- 38% within < 30m
- 61% within < 1hr
- 83% within < 2hr
- 92% within < 3hr