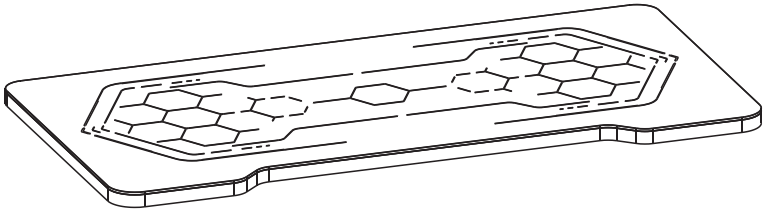


Black 48" x 24" Table Top with RGB Lighting

Instruction Manual



SKU: DESK-TOP48BG



Scan the QR code with your mobile device or follow the link for helpful videos and specifications related to this product.

<https://vivo-us.com/products/desk-top48bg>

GET IN TOUCH | Monday-Friday from 7:00am-7:00pm CST



help@vivo-us.com



www.vivo-us.com
Chat live with an agent!



309-278-5303

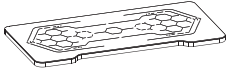
WARNING!

If you do not understand these directions, or if you have any doubts about the safety of the installation, please call a qualified technician. Check carefully to make sure there are no missing or defective parts. Improper installation may cause damage or serious injury. Do not use this product for any purpose that is not explicitly specified in this manual and do not exceed weight capacity. We cannot be liable for damage or injury caused by improper mounting, incorrect assembly, or inappropriate use.

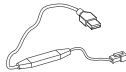
WARNING: CHOKING HAZARD

SMALL PARTS - NOT FOR CHILDREN UNDER 3 YEARS. ADULT SUPERVISION IS REQUIRED.

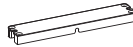
PACKAGE CONTENTS



A (x1)
Desktop



B (x1)
Power Cable



C (x1)
Cable Cover



D (x1)
Remote

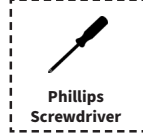


S-A (x4)
ST3.5x20
Screw



S-B (x1)
Magnet

TOOLS NEEDED

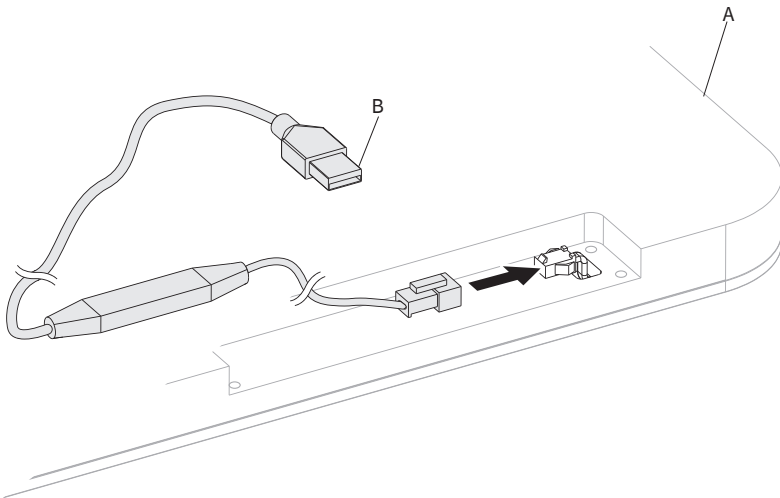


**Phillips
Screwdriver**

ASSEMBLY STEPS

STEP 1

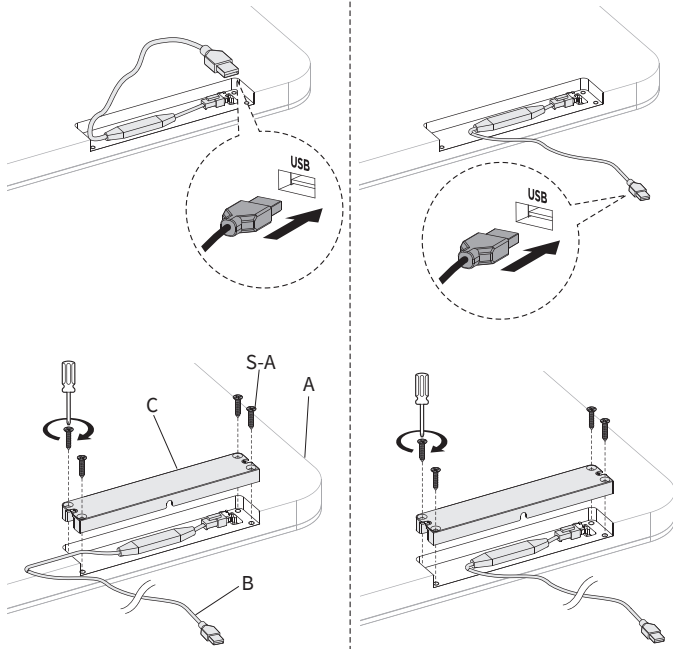
Insert Power Cable (**B**) into Desktop (**A**).



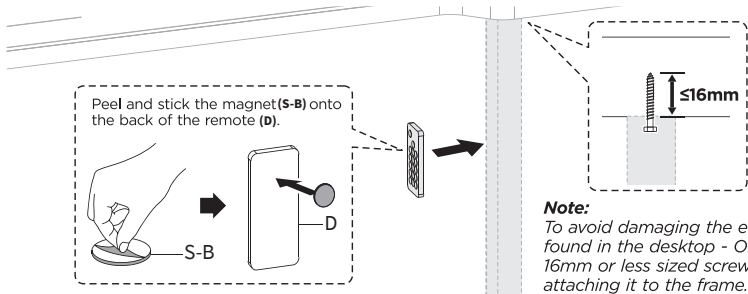
STEP 2

Mount Cable Cover (C) to Desktop (A) using ST3.5x20 Screws (S-A) and a phillips screwdriver. Connect Power Cable (B) to USB wall charger, or other device.

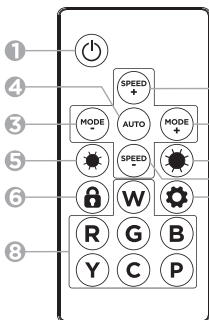
NOTE: Power Cable (B) can be routed through either slot on Cable Cover (C).



STEP 3



Note:
To avoid damaging the electronics found in the desktop - ONLY use 16mm or less sized screws when attaching it to the frame.



Note: Remove the plastic battery insert prior to using the remote.

- 1 On/Off
- 2 Effect Speed +/-
- 3 Effect Mode +/-
- 4 Short Press: automatic effect show
Long press (5 secs) : 7 single - color light show
- 5 Brightness +/-
- 6 Lock/unlock the remote
- 7 Menu: Long press to enter menu, then press Mode +/- to change effect, press R/G/B to change colors.
- 8 Steady Single Colors



Open **Monday - Friday 7:00am - 7:00pm** CST,
our dedicated support team can offer immediate assistance with rapid response times. If any parts are received damaged or defective, please contact us. We are happy to replace parts to ensure you have a fully functioning product.



309-278-5303

AVG. RESOLUTION TIME (*within office hrs*): **5M 4S**



www.vivo-us.com
Chat live with an agent!

AVG. RESOLUTION TIME (*within office hrs*): **< 15 M**



help@vivo-us.com

AVG. RESPONSE TIME (*within office hrs*): **1HR 8M**

- 23% within < 15m
- 38% within < 30m
- 61% within < 1hr
- 83% within < 2hr
- 92% within < 3hr