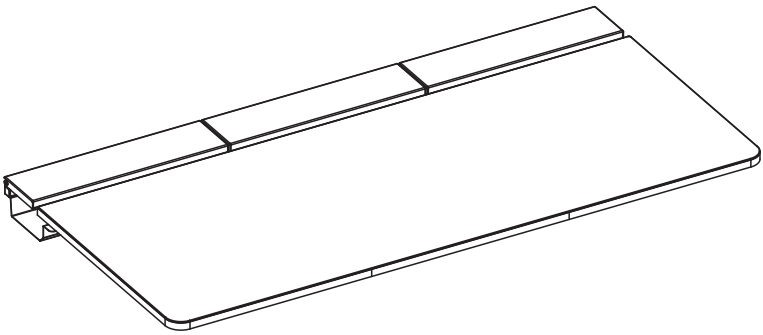


---

## Black 60" x 30" Concealed Cable Table Top with Full-Size Pad

Instruction Manual



**SKU: DESK-TOP3**



Scan the QR code with your mobile device or follow the link for helpful videos and specifications related to this product.

<https://vivo-us.com/products/desk-top3>

---

**GET IN TOUCH** | Monday-Friday from 7:00am-7:00pm CST



help@vivo-us.com



www.vivo-us.com  
*Chat live with an agent!*



309-278-5303

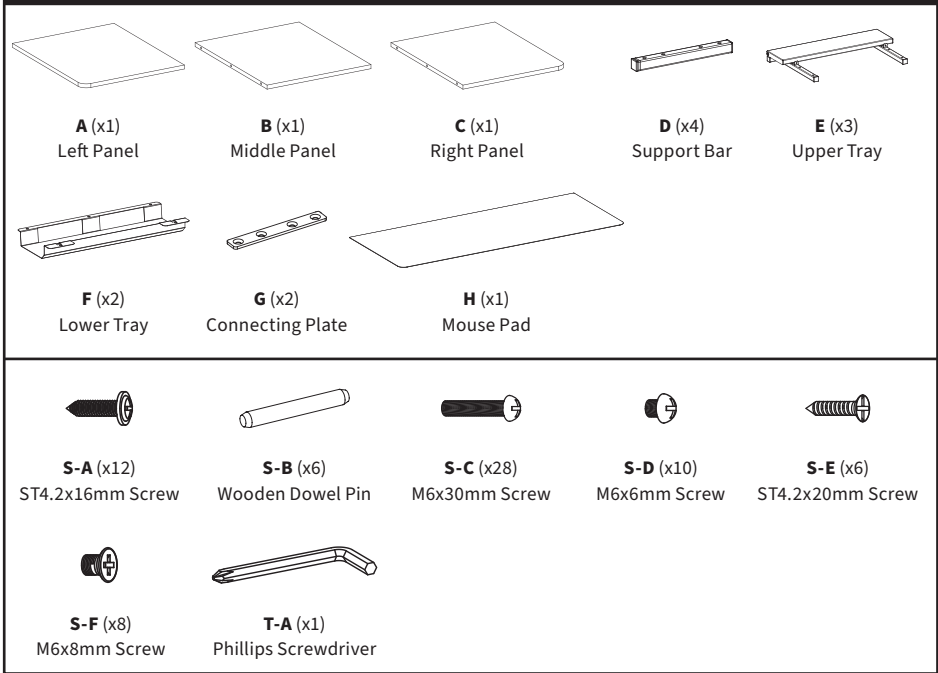
**! WARNING!**

If you do not understand these directions, or if you have any doubts about the safety of the installation, please call a qualified technician. Check carefully to make sure there are no missing or defective parts. Improper installation may cause damage or serious injury. Do not use this product for any purpose that is not explicitly specified in this manual and do not exceed weight capacity. We cannot be liable for damage or injury caused by improper mounting, incorrect assembly, or inappropriate use.

**! WARNING: CHOKING HAZARD**

SMALL PARTS - NOT FOR CHILDREN UNDER 3 YEARS. ADULT SUPERVISION IS REQUIRED.

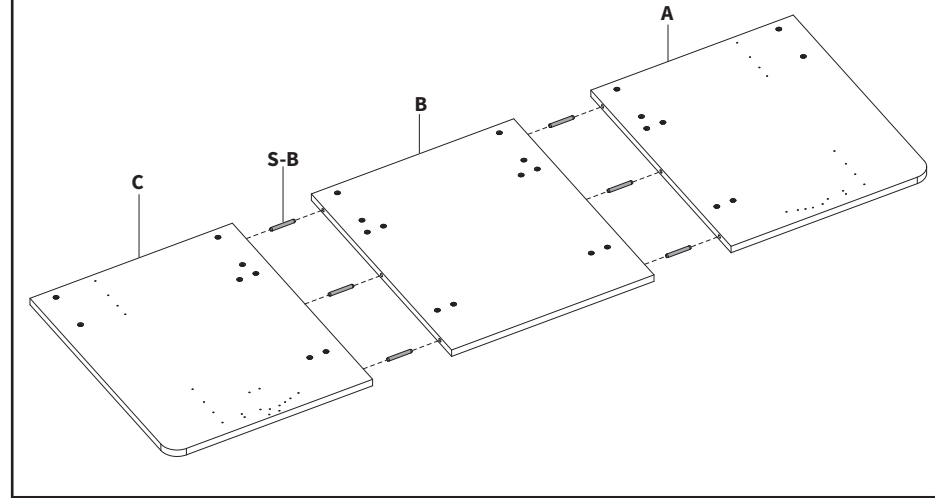
**PACKAGE CONTENTS**



**ASSEMBLY STEPS**

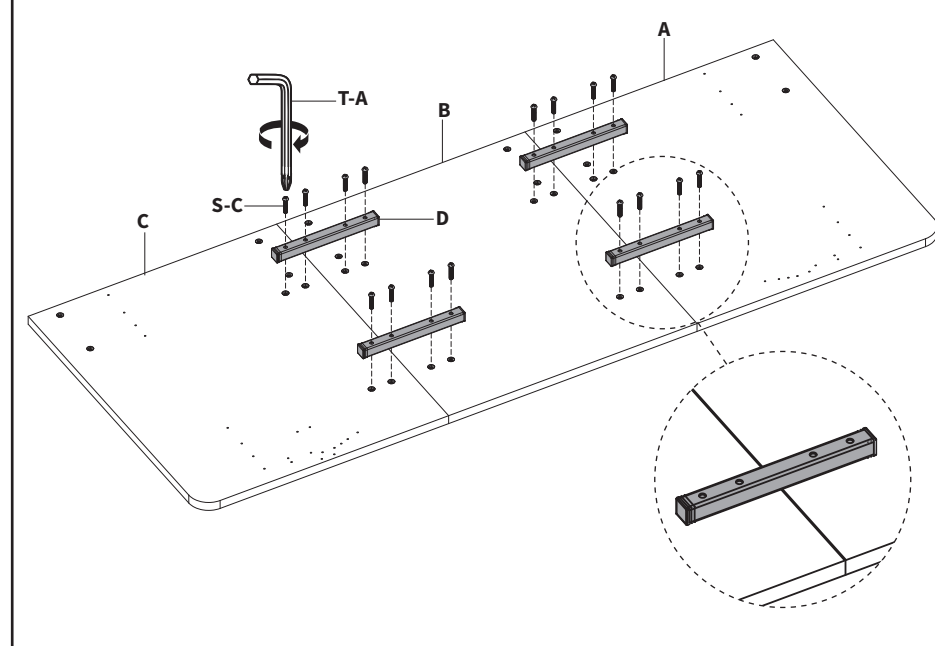
**STEP 1**

Place Desktop Panels (**A,B,C**) upside down on a protective surface and insert Wooden Dowel Pins (**S-B**) into Middle Panel (**B**). Connect Left Panel (**A**) and Right Panel (**C**) to Middle Panel (**B**) using Wooden Dowel Pins (**S-B**).



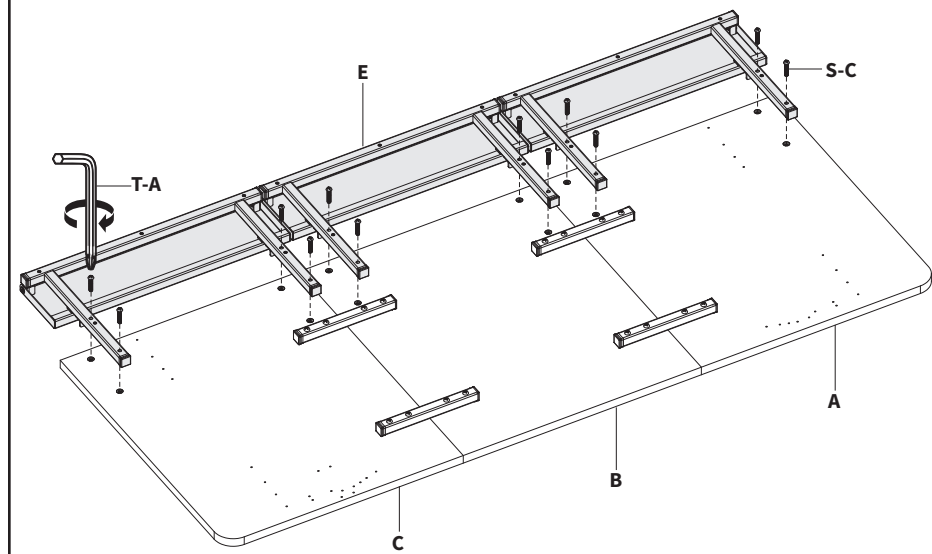
**STEP 2**

Attach Support Bars (**D**) to Desktop Panels (**A,B,C**) using M6x30mm Screws (**S-C**) and Phillips Screwdriver (**T-A**).



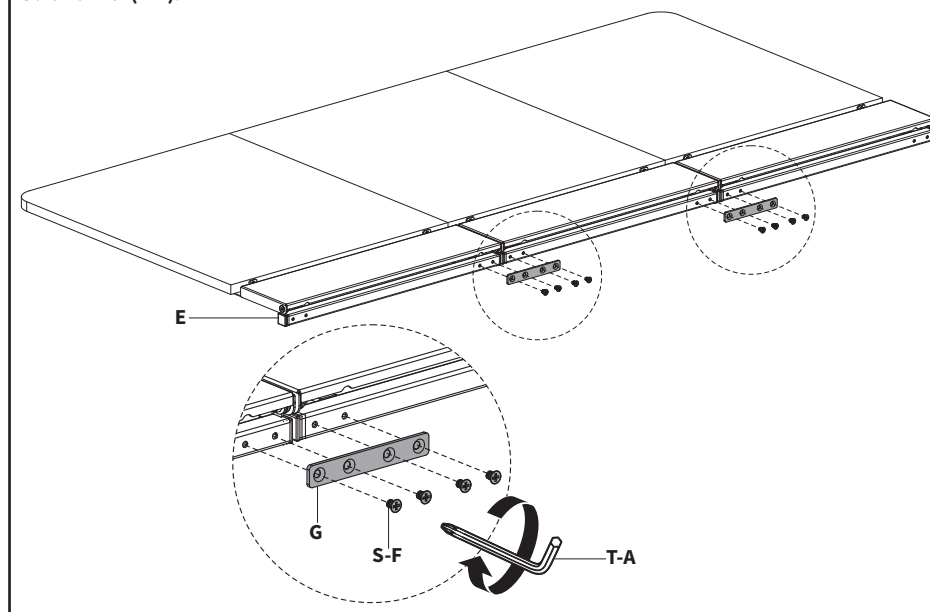
### STEP 3

Attach Upper Trays (E) to Desktop Panels (A,B,C) using M6x30mm Screws (S-C) and Phillips Screwdriver (T-A).



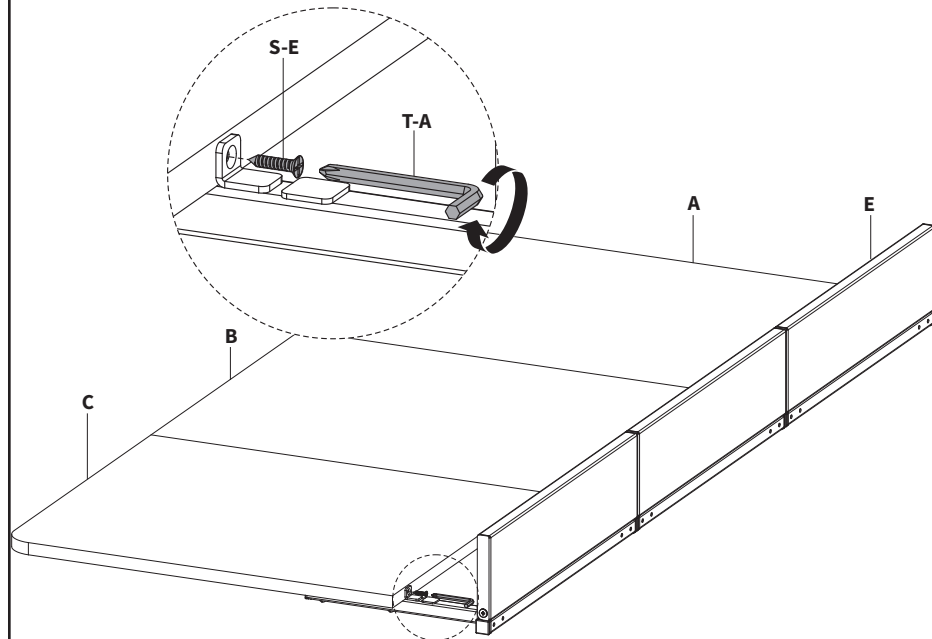
### STEP 5

Fasten Upper Trays (E) to each other using Connecting Plates (G), M6x8mm Screws (S-F), and Phillips Screwdriver (T-A).



### STEP 4

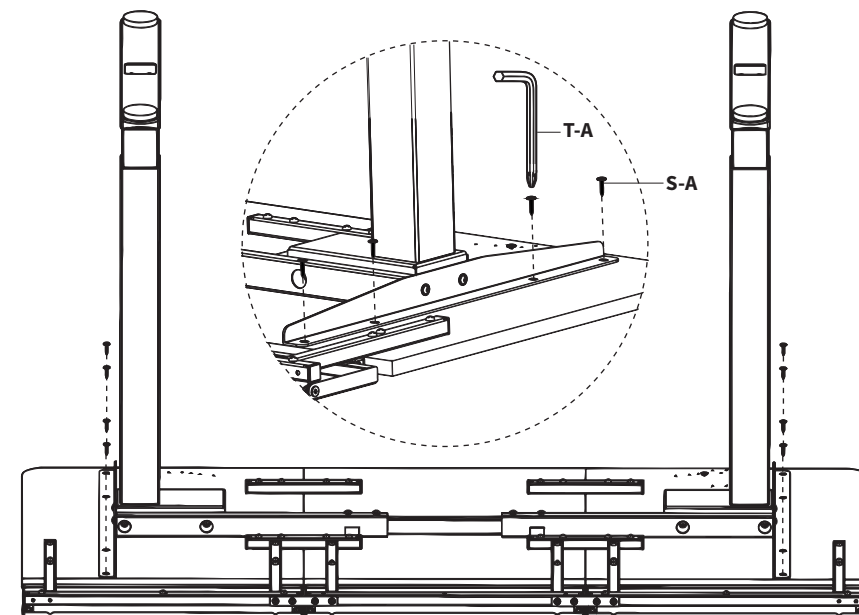
Flip the desktop assembly and open Upper Trays (E). Fasten Upper Trays (E) to Desktop Panels (A,B,C) using ST4.2x20mm Screws (S-E) and Phillips Screwdriver (T-A).



### STEP 6

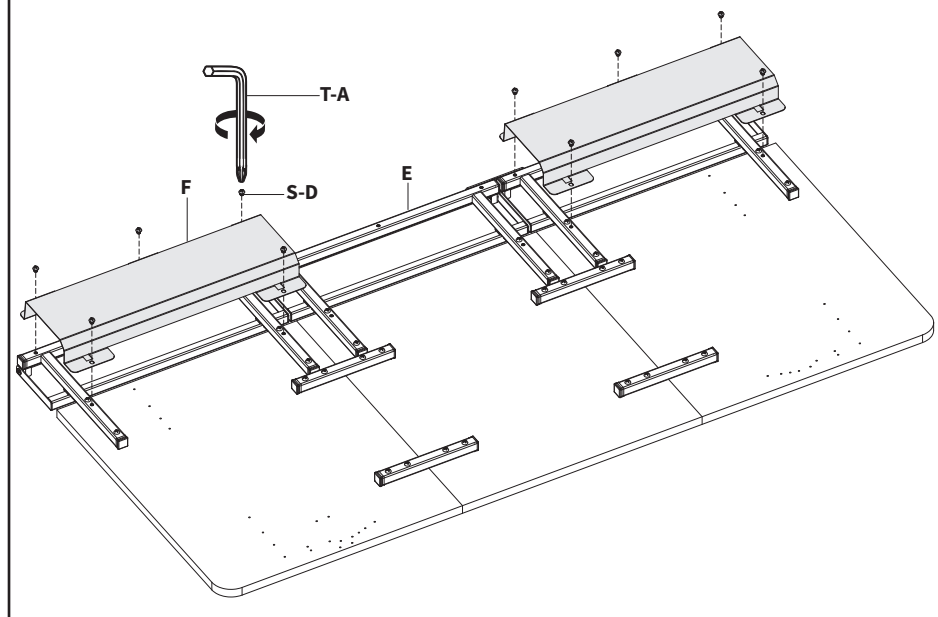
Flip the desktop assembly and place desk frame upside down on the desktop assembly. Adjust frame width to match desktop mounting holes, and secure frame to the desktop assembly using ST4.2x16mm Screws (S-A) and Phillips Screwdriver (T-A). Use ST4.2x16mm Screws (S-A) and Phillips Screwdriver (T-A) to install your desk frame control panel or crank handle.

**NOTE:** Holes for some control panels and cranks are not pre-drilled. In this case, you must drill your own.



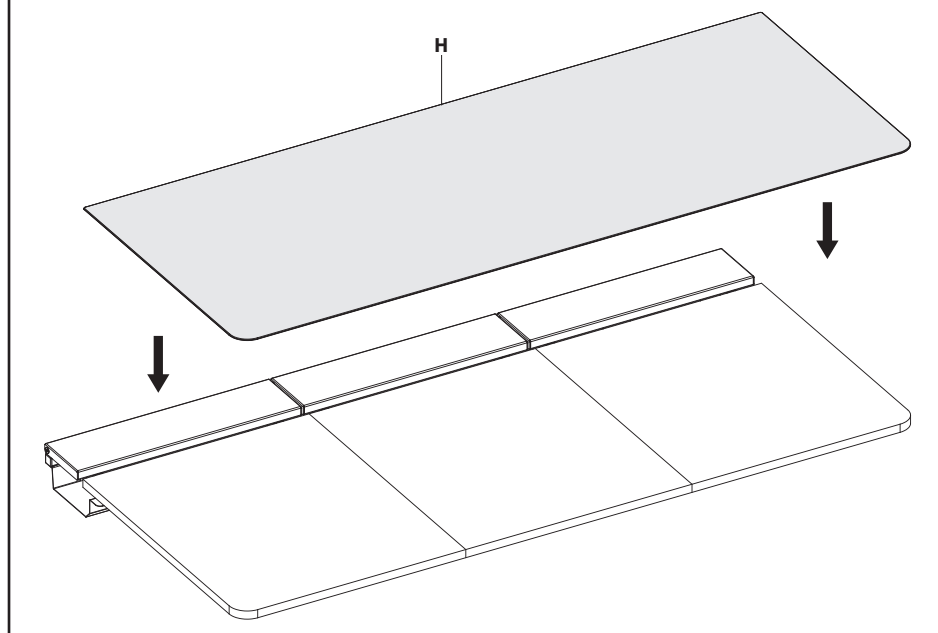
### STEP 7

Install Lower Trays (F) to Upper Trays (E) using M6x6mm Screws (S-D) and Phillips Screwdriver (T-A).



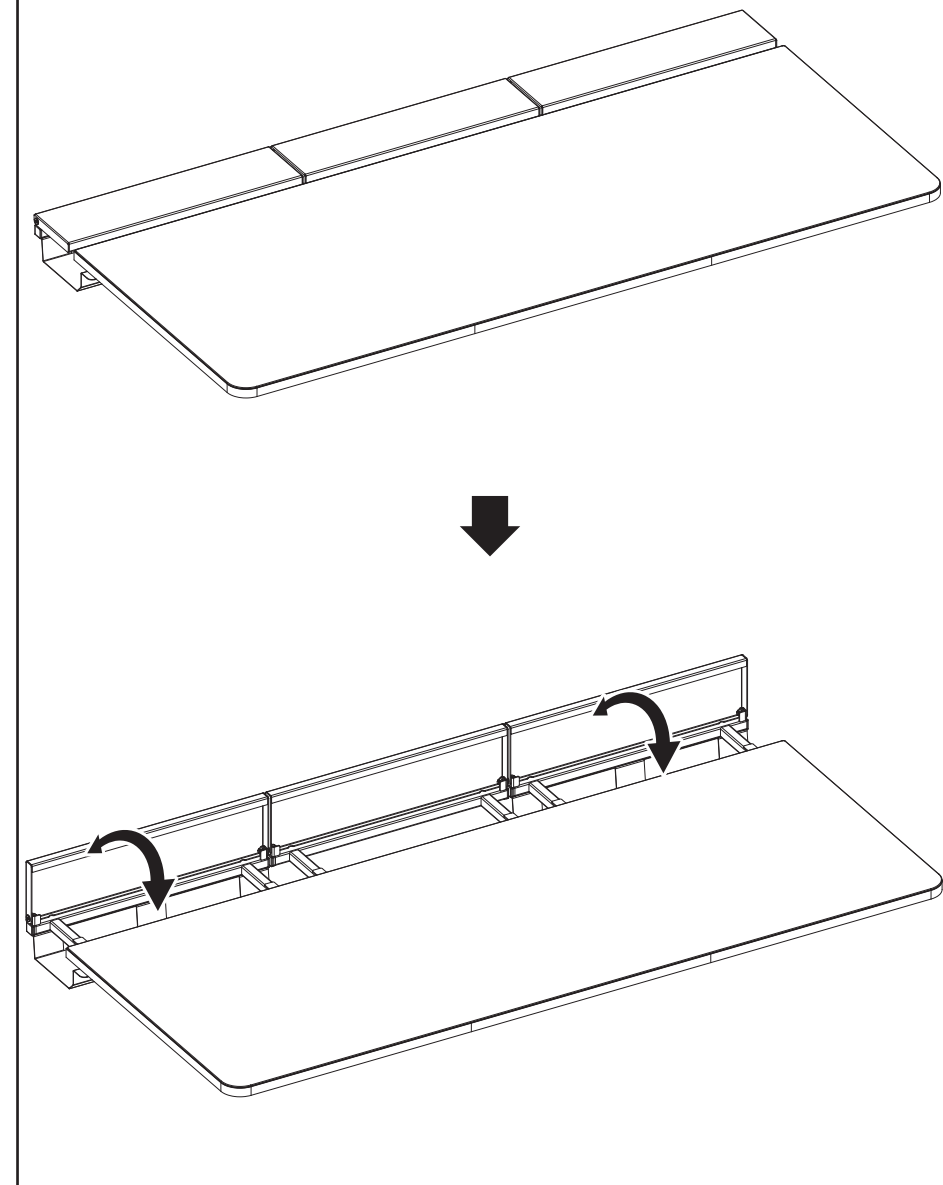
### STEP 8

Flip desk assembly right side up and place Mousepad (H) onto desktop.



### STEP 9

The lower trays can be accessed by flipping open the upper trays. Conceal cables by keeping the upper trays closed.





Open **Monday - Friday 7:00am - 7:00pm** CST,  
our dedicated support team can offer immediate assistance with rapid response times. If any parts are received damaged or defective, please contact us. We are happy to replace parts to ensure you have a fully functioning product.



309-278-5303

**AVG. RESOLUTION TIME** (*within office hrs*): **5M 4S**



[www.vivo-us.com](http://www.vivo-us.com)  
*Chat live with an agent!*

**AVG. RESOLUTION TIME** (*within office hrs*): **< 15 M**



[help@vivo-us.com](mailto:help@vivo-us.com)

**AVG. RESPONSE TIME** (*within office hrs*): **1HR 8M**

- 23% within < 15m
- 38% within < 30m
- 61% within < 1hr
- 83% within < 2hr
- 92% within < 3hr