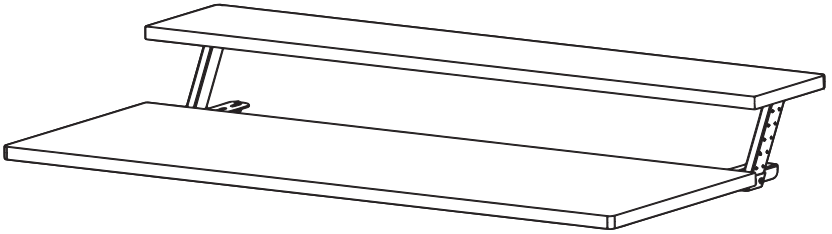


Black 55" x 30" Dual Tier Table Top

Instruction Manual



SKU: DESK-TOP2TB



Scan the QR code with your mobile device or follow the link for helpful videos and specifications related to this product.

<https://vivo-us.com/products/desk-top2tb>

GET IN TOUCH | Monday-Friday from 7:00am-7:00pm CST



help@vivo-us.com



www.vivo-us.com
Chat live with an agent!



309-278-5303

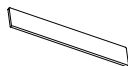






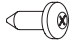



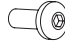
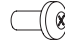


WARNING!

If you do not understand these directions, or if you have any doubts about the safety of the installation, please call a qualified technician. Check carefully to make sure there are no missing or defective parts. Improper installation may cause damage or serious injury. Do not use this product for any purpose that is not explicitly specified in this manual and do not exceed weight capacity. We cannot be liable for damage or injury caused by improper mounting, incorrect assembly, or inappropriate use.

WARNING: CHOKING HAZARD

SMALL PARTS - NOT FOR CHILDREN UNDER 3 YEARS. ADULT SUPERVISION IS REQUIRED.

PACKAGE CONTENTS

						
A (x1) Small Desktop	B (x1) Large Desktop	C (x1) Crossbar	D (x1) Right Bracket	E (x1) Left Bracket	F (x1) Right Riser	G (x1) Left Riser
						
S-A (x6) M5x16mm Screw	S-B (x6) M6x16mm Screw	S-C (x6) M6x12mm Flat Head Screw	S-D (x10) M6 Washer	S-E (x6) M6x12mm Screw	S-F (x10) M5x14mm Screw	S-G (x6) M6 Nut
						
T-A (x1) 4mm Allen Wrench						

TOOLS NEEDED

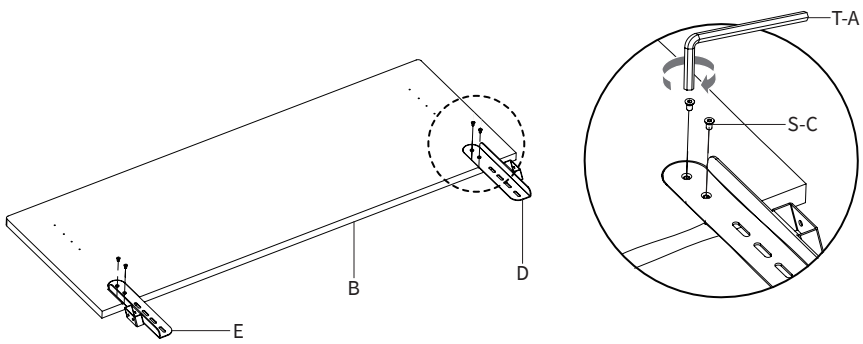
NOTE: Extras of some hardware included.



ASSEMBLY STEPS

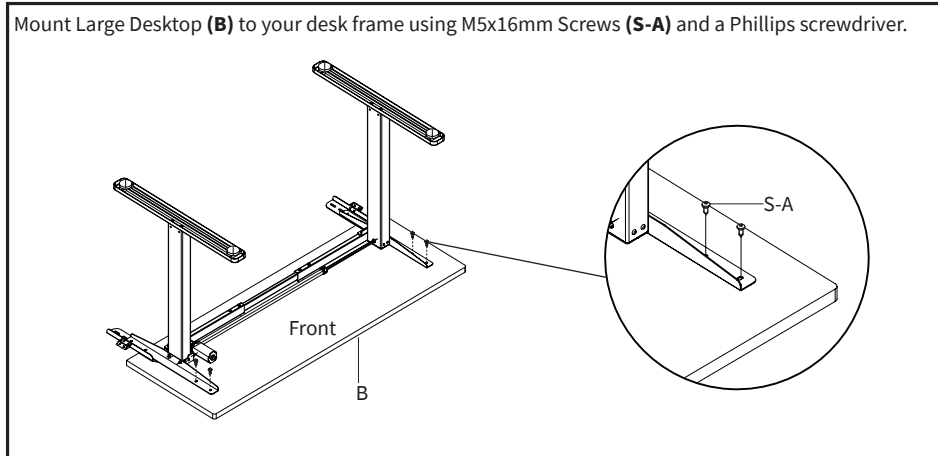
STEP 1

Assemble Right Bracket (**D**) and Left Bracket (**E**) to Large Desktop (**B**) using M6x12mm Flat Head Screws (**S-C**) and 4mm Allen Wrench (**T-A**).



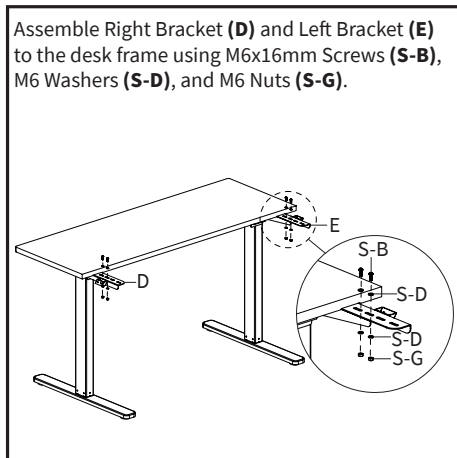
STEP 2

Mount Large Desktop (**B**) to your desk frame using M5x16mm Screws (**S-A**) and a Phillips screwdriver.



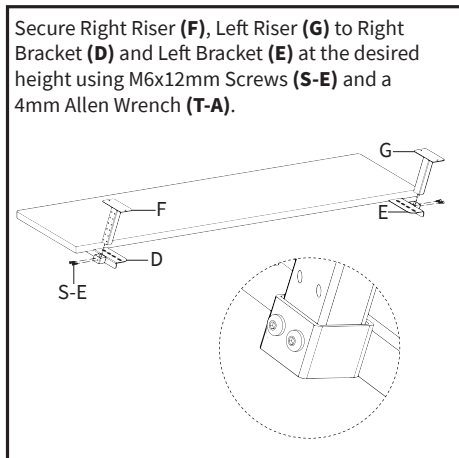
STEP 3

Assemble Right Bracket (**D**) and Left Bracket (**E**) to the desk frame using M6x16mm Screws (**S-B**), M6 Washers (**S-D**), and M6 Nuts (**S-G**).



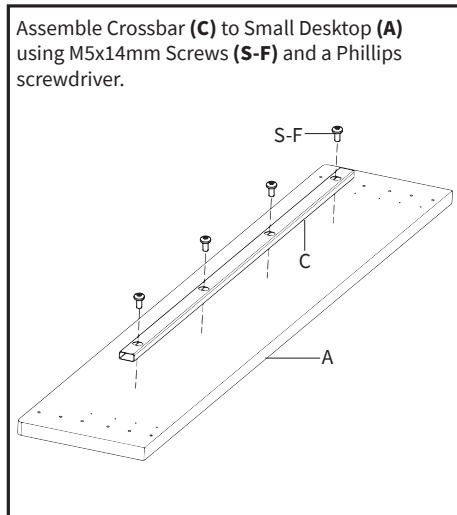
STEP 4

Secure Right Riser (**F**), Left Riser (**G**) to Right Bracket (**D**) and Left Bracket (**E**) at the desired height using M6x12mm Screws (**S-E**) and a 4mm Allen Wrench (**T-A**).



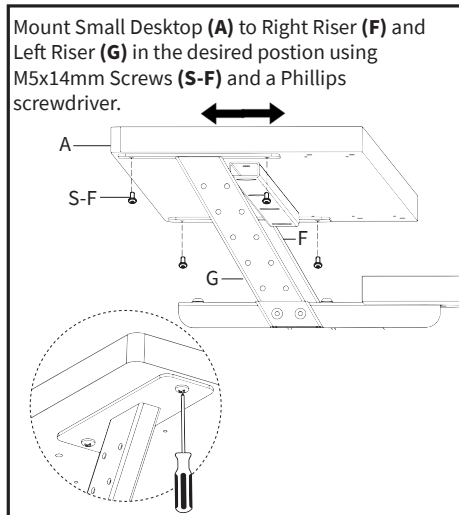
STEP 5

Assemble Crossbar (**C**) to Small Desktop (**A**) using M5x14mm Screws (**S-F**) and a Phillips screwdriver.



STEP 6

Mount Small Desktop (**A**) to Right Riser (**F**) and Left Riser (**G**) in the desired position using M5x14mm Screws (**S-F**) and a Phillips screwdriver.





Open **Monday - Friday 7:00am - 7:00pm** CST,
our dedicated support team can offer immediate assistance with rapid response times. If any parts are received damaged or defective, please contact us. We are happy to replace parts to ensure you have a fully functioning product.



309-278-5303

AVG. RESOLUTION TIME (*within office hrs*): **5M 4S**



www.vivo-us.com
Chat live with an agent!

AVG. RESOLUTION TIME (*within office hrs*): **< 15 M**



help@vivo-us.com

AVG. RESPONSE TIME (*within office hrs*): **1HR 8M**

- 23% within < 15m
- 38% within < 30m
- 61% within < 1hr
- 83% within < 2hr
- 92% within < 3hr