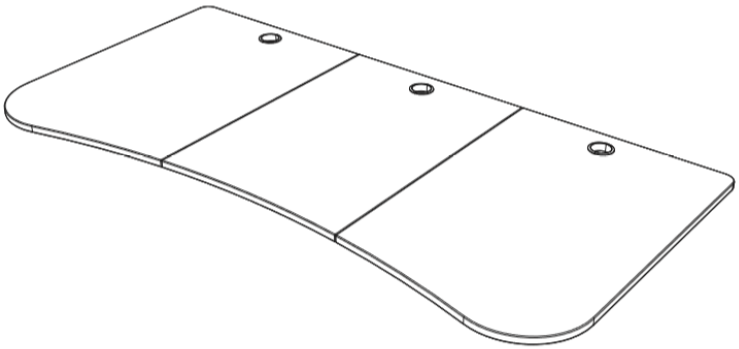


---

## 62.5" x 31.5" Three Section Table Top

Instruction Manual



**SKU: DESK-TOP1B**



Scan the QR code with your mobile device or follow the link for helpful videos and specifications related to this product.

<https://vivo-us.com/products/desk-top1b>



help@vivo-us.com



www.vivo-us.com

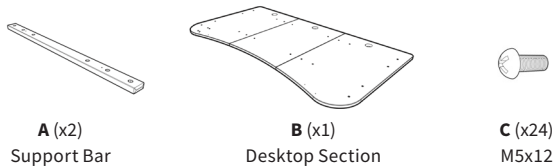


1-800-371-5654

# ⚠ WARNING!

If you do not understand these directions, or if you have any doubts about the safety of the installation, please call a qualified technician. Check carefully to make sure there are no missing or defective parts. Improper installation may cause damage or serious injury. Do not use this product for any purpose that is not explicitly specified in this manual and do not exceed weight capacity. We cannot be liable for damage or injury caused by improper mounting, incorrect assembly, or inappropriate use.

## PACKAGE CONTENTS



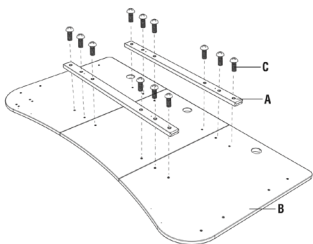
## TOOLS NEEDED



## ASSEMBLY STEPS

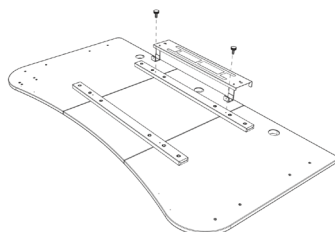
### STEP 1

Place and align desktop section (**B**) upside down on protective surface. Assemble support bars (**A**) to desktop using 12 screws (**C**).



### STEP 2

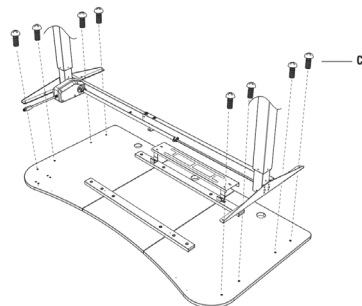
Mount cable management tray with support brackets from desk frame to rear support bar (**A**) using the thumbscrews from the tray support brackets.



## Mounting to an Electric Height Adjustable Desk Base

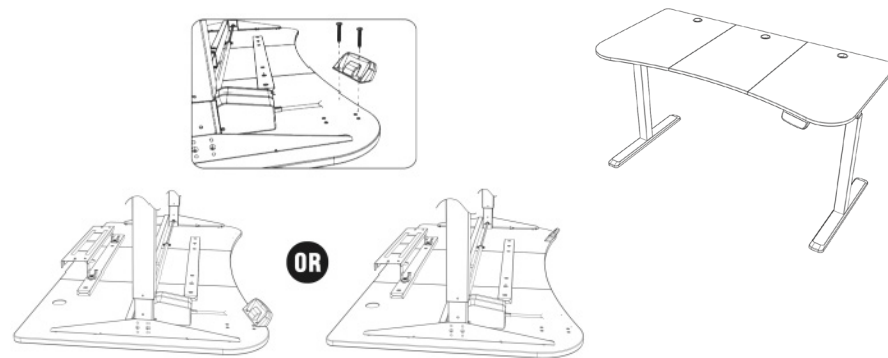
### STEP 3a

Place electric height adjustable desk frame upside down on the desktop. Adjust frame width to match desktop mounting holes, and secure frame to desktop using 8 screws (**C**).



### STEP 4a

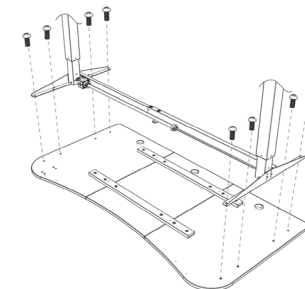
Mount control pad to mounting holes on left or right side of desktop using screws from the desk frame. Then, mount to an electric height adjustable desk base.



## Mounting to a Manual Height Adjustable Desk Base

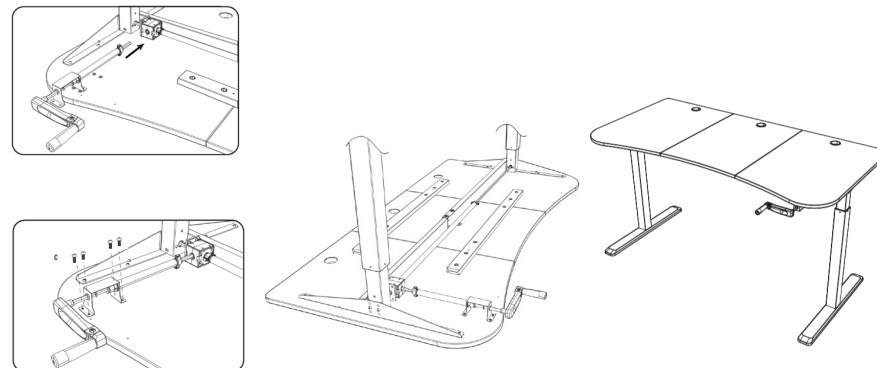
### STEP 3b

Place manual height adjustable desk frame upside down on desktop, making sure the crank gearbox is on the same side as the crank mounting holes in the desktop. Adjust frame width to match desktop mounting holes, and secure frame to desktop using 8 screws (**C**).



### STEP 4b

Mount to a manual height adjustable desk frame. Attach crank to desk frame. Align crank support with mounting holes in desktop and secure using 4 screws (**C**).





Love your new VIVO setup and want to share?

Tag us in your photo! **@vivo\_us**

Last Updated: 12/24/2018



If any parts are received damaged or defective, please contact us. We are happy to replace parts to ensure you have a fully functioning product.



[help@vivo-us.com](mailto:help@vivo-us.com)



[www.vivo-us.com](http://www.vivo-us.com)



1-800-371-5654

For more VIVO products, check out our website at:  
[www.vivo-us.com](http://www.vivo-us.com).