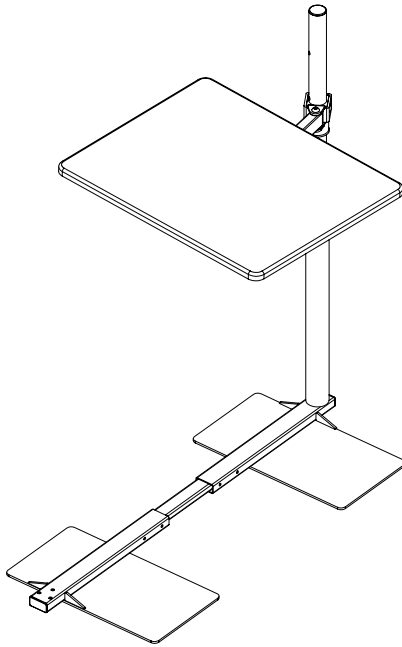




---

## Black 20" x 15" Swivel Couch Desk Instruction Manual



**SKU: DESK-ST01C**



Scan the QR code with your mobile device or follow the link for helpful videos and specifications related to this product.

<https://vivo-us.com/products/desk-st01c>

---

**GET IN TOUCH** | Monday-Friday from 7:00am-7:00pm CST



help@vivo-us.com



www.vivo-us.com  
*Chat live with an agent!*



309-278-5303

# **WARNING!**

If you do not understand these directions, or if you have any doubts about the safety of the installation, please call a qualified technician. Check carefully to make sure there are no missing or defective parts. Improper installation may cause damage or serious injury. Do not use this product for any purpose that is not explicitly specified in this manual. Do not exceed weight capacity. We cannot be liable for damage or injury caused by improper mounting, incorrect assembly or inappropriate use.

## **TIPOVER WARNING**

SERIOUS OR FATAL CRUSHING INJURIES CAN OCCUR FROM TIPOVER. TO HELP PREVENT TIPOVER:

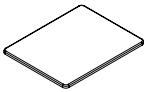
- NEVER ALLOW CHILDREN TO CLIMB, STAND, HANG, OR PLAY ON ANY PART OF MONITOR OR STAND.
- USE TIPOVER RESTRAINT OR ANCHOR STAND TO WALL

**USE OF TIPOVER RESTRAINTS MAY ONLY REDUCE, BUT NOT ELIMINATE RISK OF TIPOVER.**

## **WARNING: CHOKING HAZARD**

SMALL PARTS - NOT FOR CHILDREN UNDER 3 YEARS. ADULT SUPERVISION IS REQUIRED.

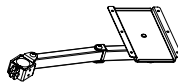
## **PACKAGE CONTENTS**



**A (x1)**  
Tray



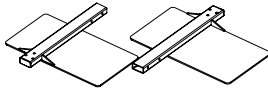
**B (x1)**  
Pole



**C (x1)**  
Arm



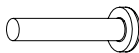
**D (x1)**  
Crossbar



**E (x1)**  
Footing Set



**S-A (x4)**  
M6x12mm Screw



**S-B (x3)**  
M6x35mm Screw



**S-C (x8)**  
M5x12mm Screw



**T-A (x1)**  
4mm Allen Wrench



**T-B (x1)**  
5mm Allen Wrench

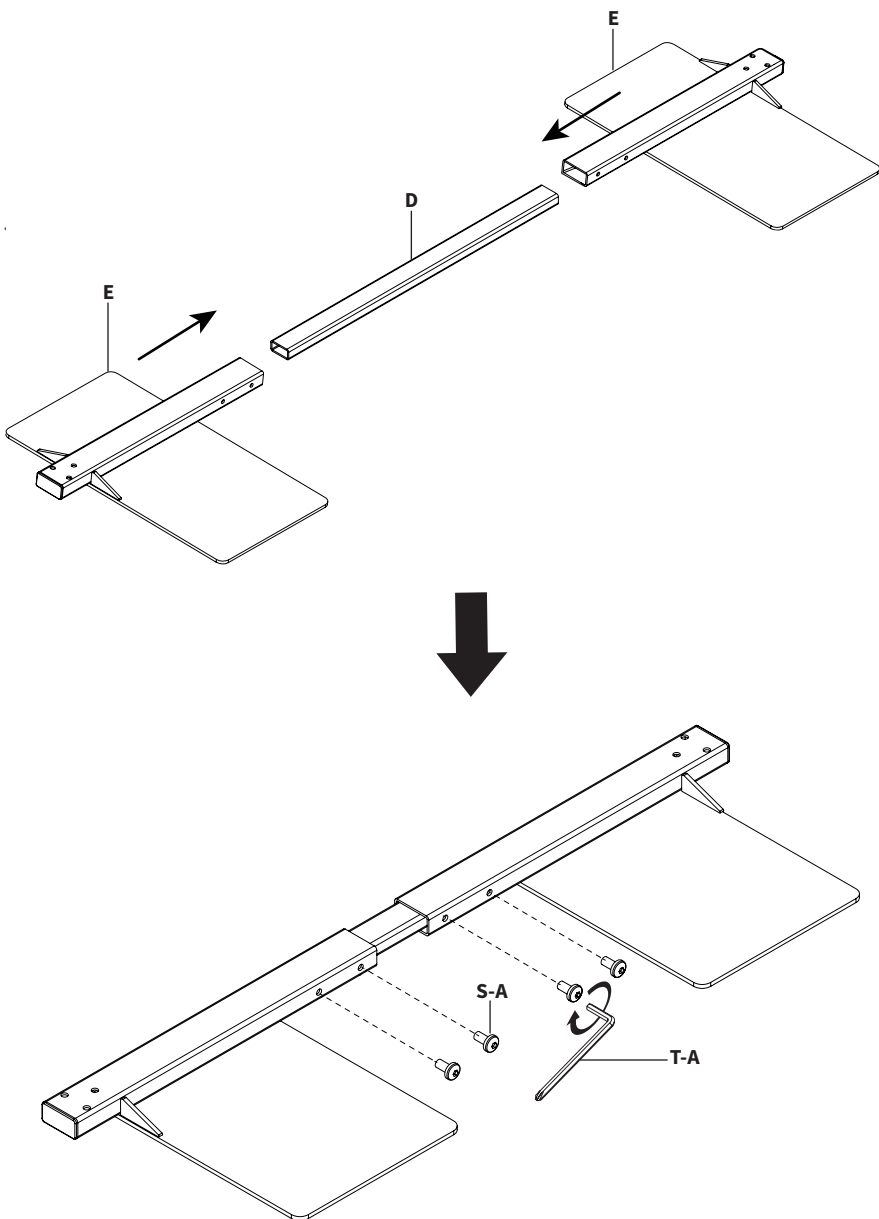
**DO NOT EXCEED WEIGHT CAPACITY.**  
Failure to do so may result in serious injury.



## ASSEMBLY STEPS

### STEP 1

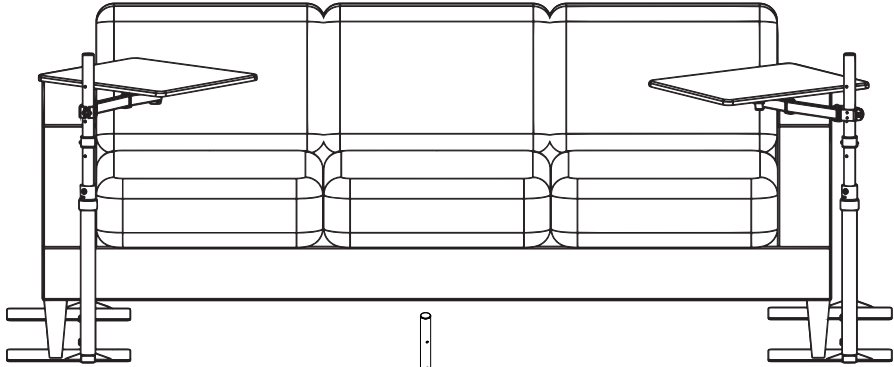
Slide Footing Set (E) onto Crossbar (D). Position Footing Set (E) the same distance apart as your furniture leg spacing and secure using M6x12mm Screws (S-A) using 4mm Allen Wrench (T-A).



**STEP 2**

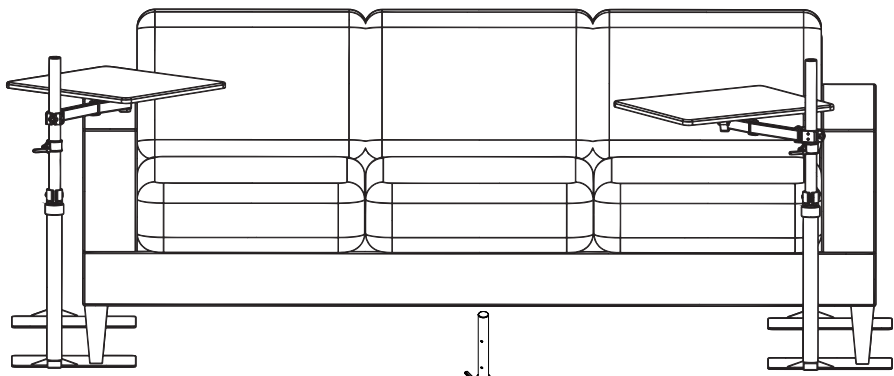
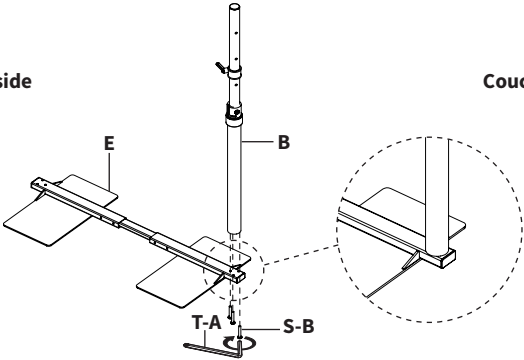
Footing Set (E) can be installed on the inside or outside of the furniture legs as shown. Assemble Pole (B) to match the desired final setup. Make sure in the final setup the furniture legs are resting on the larger side of Footing Set (E).

Assemble Pole (B) to base assembly using M6x35mm Screws (S-B) and 4mm Allen Wrench (T-A).



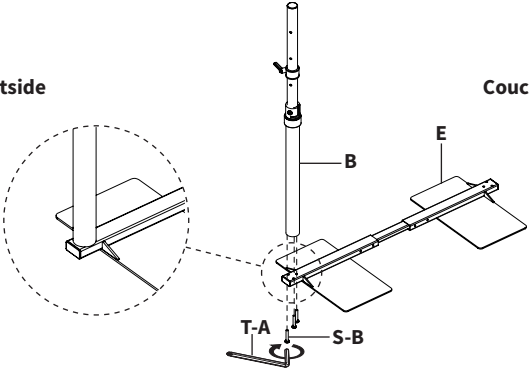
**Couch Right: Pole inside**

**Couch Left: Pole outside**



**Couch Right: Pole outside**

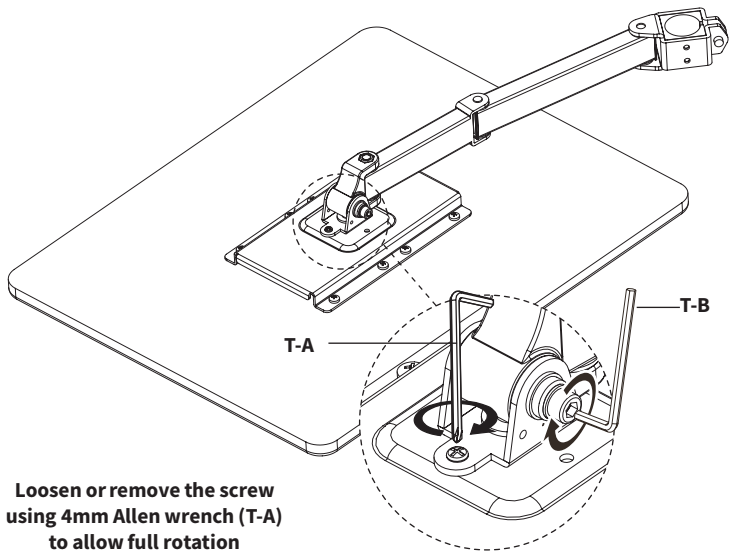
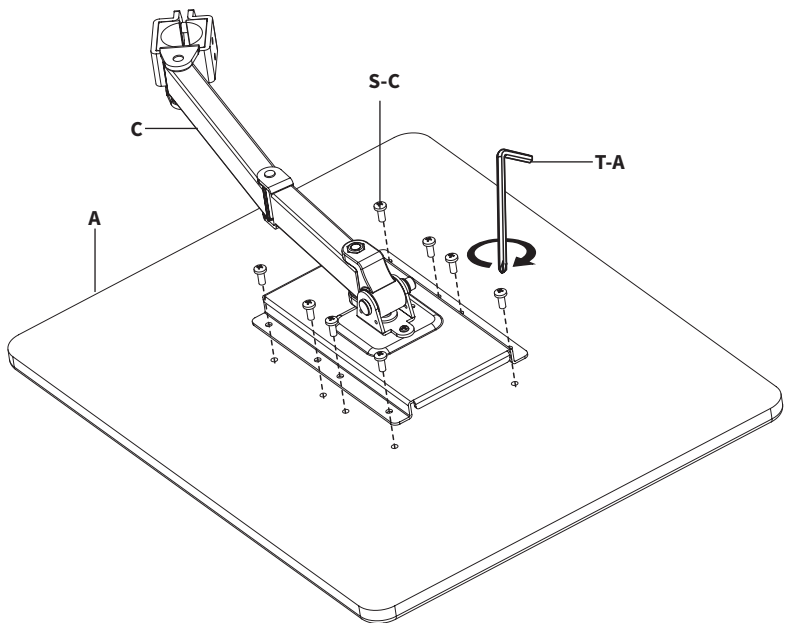
**Couch Left: Pole inside**



### STEP 3

Attach Arm (C) to Tray (A) using M5x12mm Screws (S-C) and 4mm Allen Wrench (T-A).

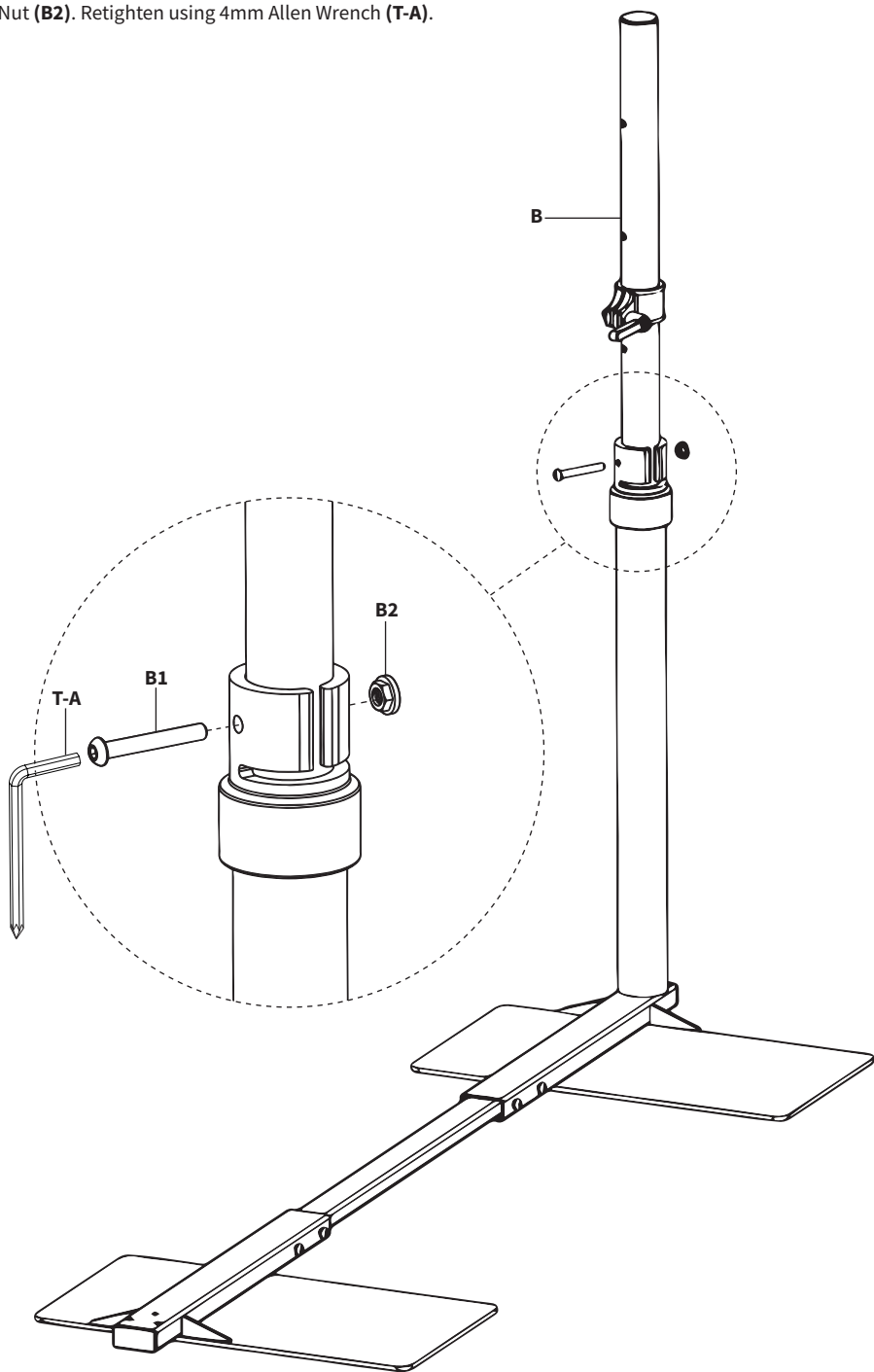
**NOTE:** Tighten the tilt joint on Arm (C) using 5mm Allen Wrench (T-B) before use.



**Loosen or remove the screw  
using 4mm Allen wrench (T-A)  
to allow full rotation**

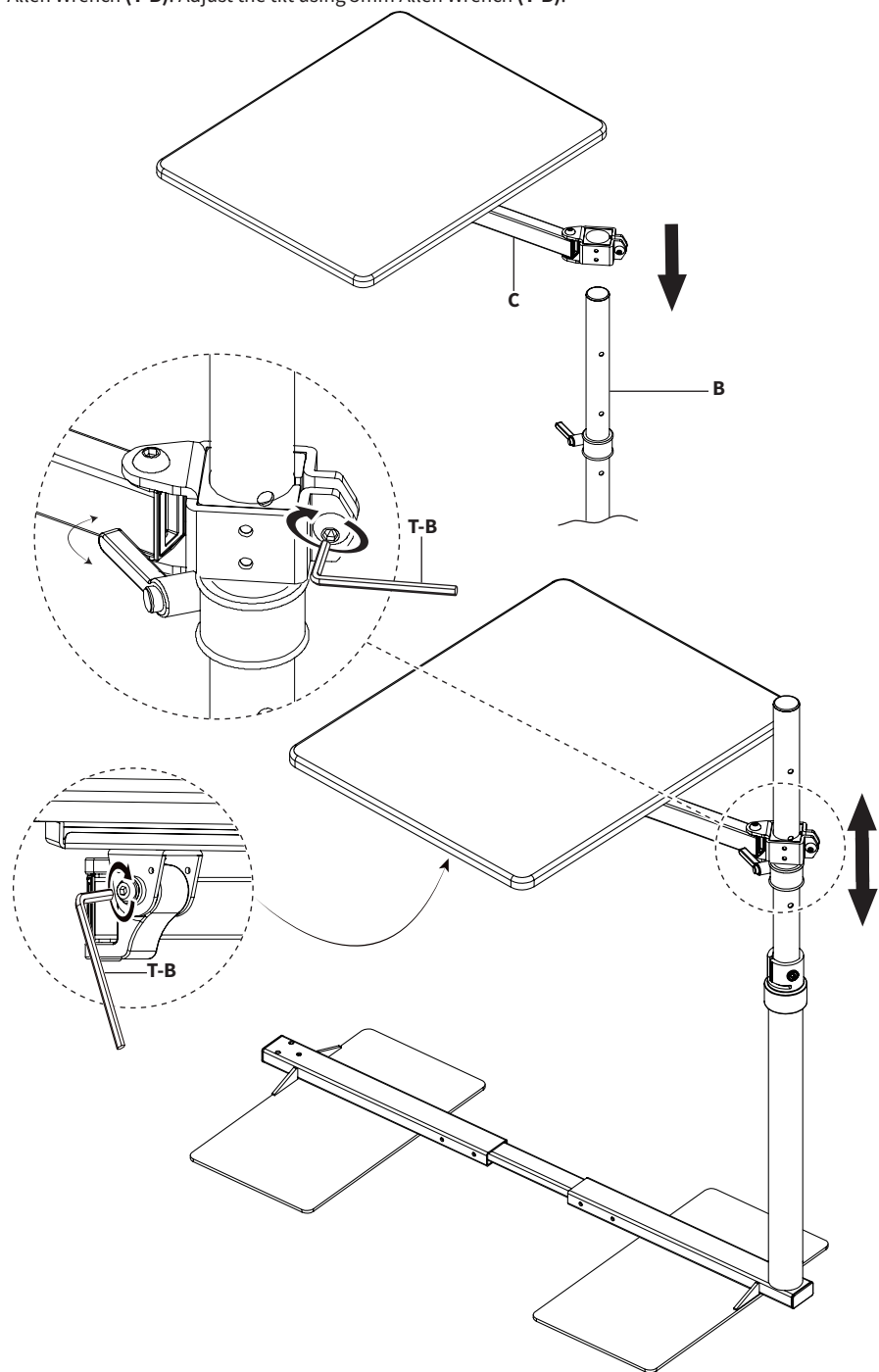
## STEP 4

Adjust Pole (**B**) height by removing the M6x45mm Bolt (**B1**) and M6 Nut (**B2**) using 4mm Allen Wrench (**T-A**). Adjust Pole (**B**) to desired height using the 4 height settings. Reinsert M6x45mm Bolt (**B1**) and M6 Nut (**B2**). Retighten using 4mm Allen Wrench (**T-A**).



## STEP 9

Slide Arm (C) onto Pole (B). Loosen the level on the Stop Collar by turning counterclockwise. Adjust to desired height and tighten by turning the lever clockwise. Secure Arm (C) to Pole (B) using the 5mm Allen Wrench (T-B). Adjust the tilt using 5mm Allen Wrench (T-B).





Love your new VIVO setup and want to share?  
Tag us in your photo! **@vivo\_us**

LAST UPDATED: 11/20/2023  
REV.2.1



Open **Monday - Friday 7:00am - 7:00pm** CST,  
our dedicated support team can offer immediate assistance with rapid response times. If any parts are received damaged or defective, please contact us. We are happy to replace parts to ensure you have a fully functioning product.



[www.vivo-us.com](http://www.vivo-us.com)  
*Chat live with an agent!*

**AVG. RESOLUTION TIME** (*within office hrs*): **< 15 M**



309-278-5303

**AVG. RESOLUTION TIME** (*within office hrs*): **5M 4S**



[help@vivo-us.com](mailto:help@vivo-us.com)

**AVG. RESPONSE TIME** (*within office hrs*): **1HR 8M**

- 23% within < 15m
- 38% within < 30m
- 61% within < 1hr
- 83% within < 2hr
- 92% within < 3hr

FOR MORE VIVO PRODUCTS, CHECK OUT OUR WEBSITE AT: [www.vivo-us.com](http://www.vivo-us.com)