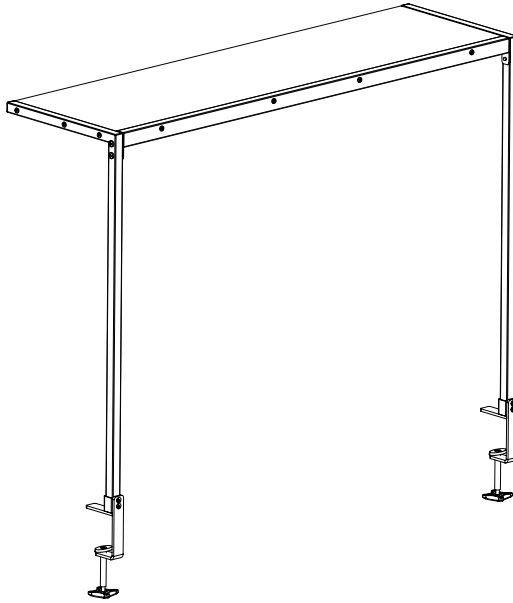




Black 42" Clamp-on Overhead Shelf Instruction Manual



SKU: DESK-SHELF42-OB



Scan the QR code with your mobile device or follow the link for helpful videos and specifications related to this product.

<https://vivo-us.com/products/desk-shelf42-ob>

GET IN TOUCH | Monday-Friday from 7:00am-7:00pm CST



help@vivo-us.com



www.vivo-us.com
Chat live with an agent!



309-278-5303

⚠️ WARNING!

If you do not understand these directions, or if you have any doubts about the safety of the installation, please call a qualified technician. Check carefully to make sure there are no missing or defective parts. Improper installation may cause damage or serious injury. Do not use this product for any purpose that is not explicitly specified in this manual and do not exceed weight capacity. We cannot be liable for damage or injury caused by improper mounting, incorrect assembly, or inappropriate use.

⚠️ WARNING: CHOKING HAZARD

SMALL PARTS - NOT FOR CHILDREN UNDER 3 YEARS. ADULT SUPERVISION IS REQUIRED.

PACKAGE CONTENTS



A (x1)
Shelf



B (x2)
Support



C (x1)
Crossbar



D (x2)
Clamp



S-A (x4)
M5x12mm
Screw



S-B (x10)
M5x35mm
Screw



S-C (x4)
M6x25mm
Screw



T-A (x1)
4mm Allen
Wrench

TOOLS NEEDED



Phillips
Screwdriver

DO NOT EXCEED WEIGHT CAPACITY.
Failure to do so may result in serious injury.



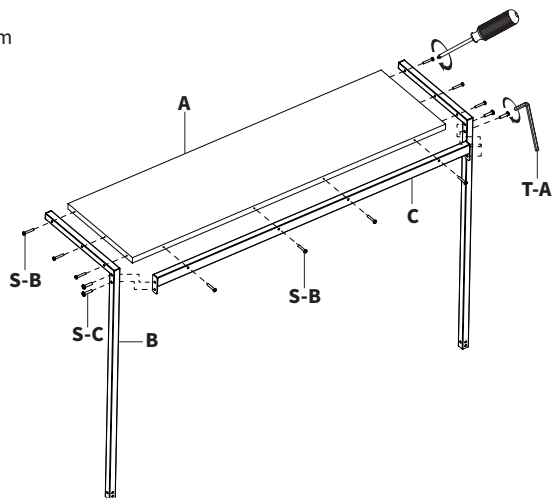
22lbs
(10kg)

ASSEMBLY STEPS

STEP 1

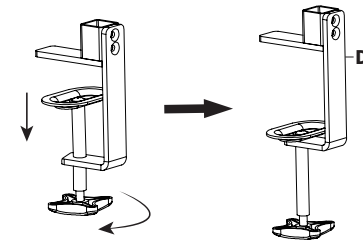
Connect Supports (**B**) to Crossbar (**C**) using M6x25mm Screws (**S-C**) and 4mm Allen Wrench.

Secure assembled frame to Shelf (**A**) using M5x35mm Screws (**S-B**) and a Phillips screwdriver.



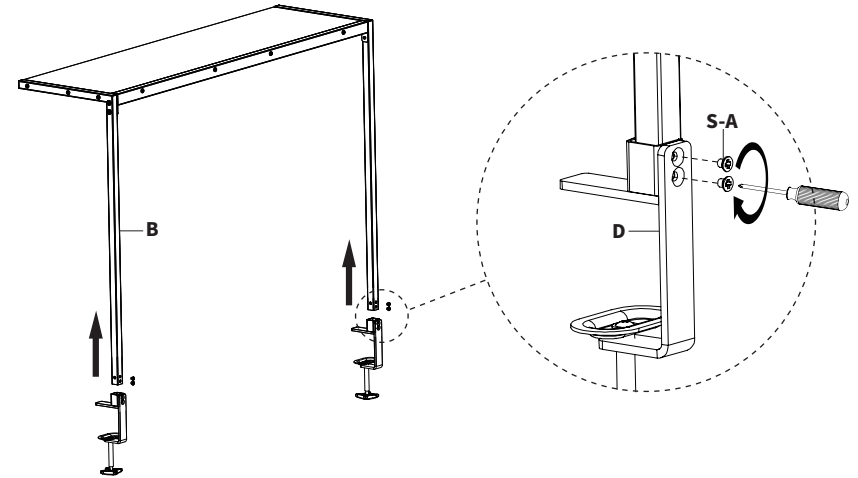
STEP 2

Adjust Clamps (**D**) to have an opening slightly larger than your desktop thickness.



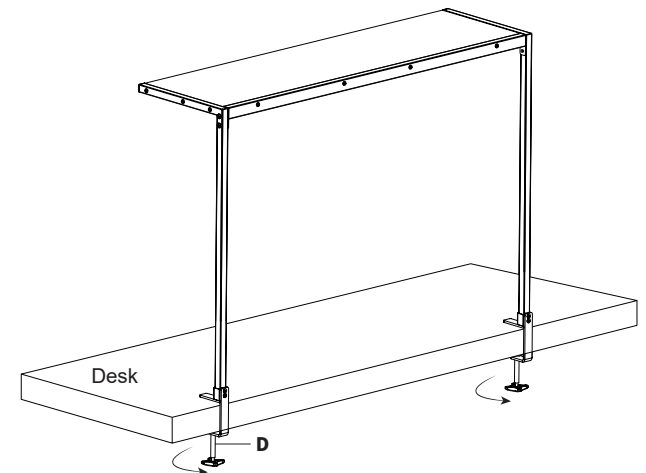
STEP 3

Secure Clamps (**D**) to Supports (**B**) using M5x12mm Screws (**S-A**) and 4mm Allen Wrench (**T-A**).



STEP 4

Slide shelf onto desktop and tighten Clamps (**D**) to secure.





Love your new VIVO setup and want to share?
Tag us in your photo! **@vivo_us**

LAST UPDATED: 10/26/2022
REV1



Open **Monday - Friday 7:00am - 7:00pm** CST,
our dedicated support team can offer immediate assistance with rapid response times. If any parts are received damaged or defective, please contact us. We are happy to replace parts to ensure you have a fully functioning product.



309-278-5303

AVG. RESOLUTION TIME (*within office hrs*): **5M 4S**



www.vivo-us.com
Chat live with an agent!

AVG. RESOLUTION TIME (*within office hrs*): **< 15 M**



help@vivo-us.com

AVG. RESPONSE TIME (*within office hrs*): **1HR 8M**

- 23% within < 15m
- 38% within < 30m
- 61% within < 1hr
- 83% within < 2hr
- 92% within < 3hr

FOR MORE VIVO PRODUCTS, CHECK OUT OUR WEBSITE AT: www.vivo-us.com