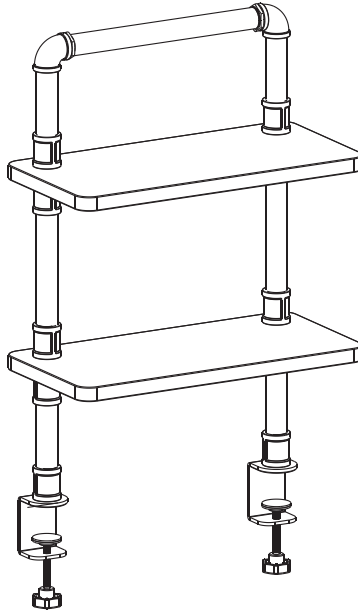




Clamp-on Industrial Pipe Shelves

Instruction Manual



SKU: DESK-SHELF16-2N



Scan the QR code with your mobile device or follow the link for helpful videos and specifications related to this product.

<https://vivo-us.com/products/desk-shelf16-2n>

GET IN TOUCH | Monday-Friday from 7:00am-7:00pm CST



help@vivo-us.com



www.vivo-us.com
Chat live with an agent!



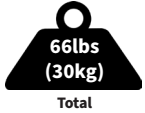
309-278-5303

WARNING!

If you do not understand these directions, or if you have any doubts about the safety of the installation, please call a qualified technician. Check carefully to make sure there are no missing or defective parts. Improper installation may cause damage or serious injury. Do not use this product for any purpose that is not explicitly specified in this manual. Do not exceed weight capacity. We cannot be liable for damage or injury caused by improper mounting, incorrect assembly or inappropriate use.

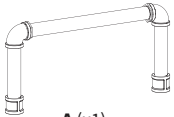
WARNING: CHOKING HAZARD

SMALL PARTS - NOT FOR CHILDREN UNDER 3 YEARS. ADULT SUPERVISION IS REQUIRED.



DO NOT EXCEED WEIGHT CAPACITY.
Failure to do so may result in serious injury.

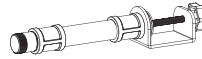
PACKAGE CONTENTS



A (x1)
Top Pipe



B (x2)
Middle Pipe



C (x2)
Pipe with
Clamp



D (x2)
Shelf

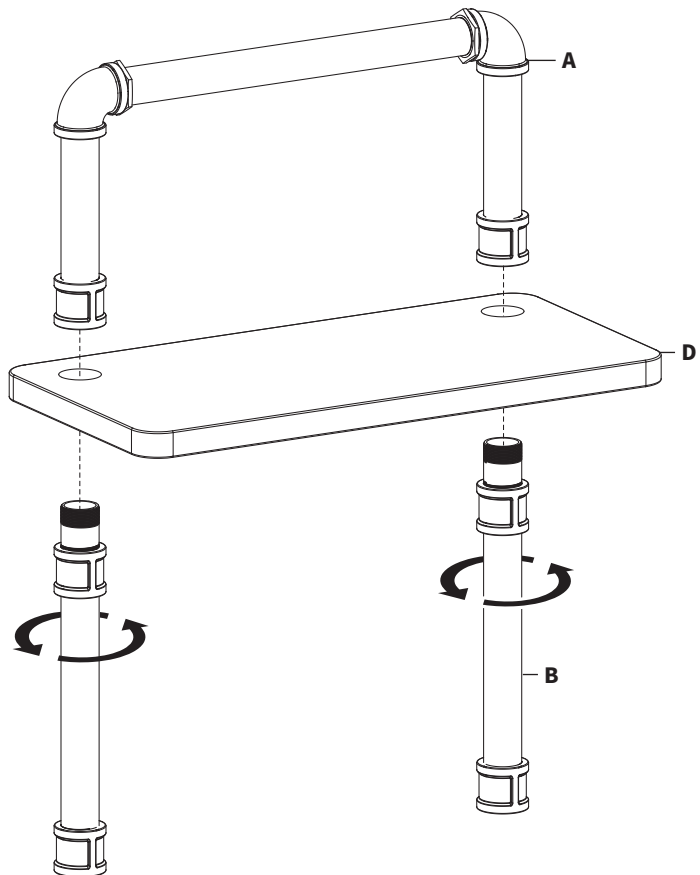


T-A (x1)
5mm Allen Wrench

ASSEMBLY STEPS

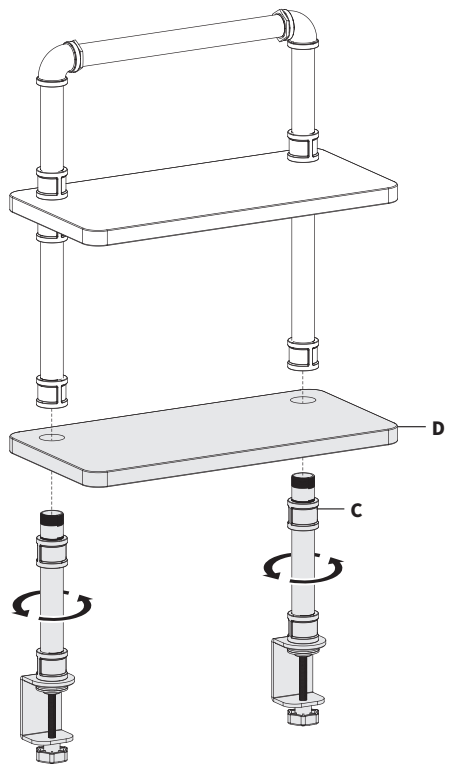
STEP 1

Place one Shelf (**D**) over threaded ends of Middle Pipes (**B**). Thread Middle Pipes (**B**) into Top Pipe (**A**), ensuring that Shelf (**D**) is in-between Top and Middle Pipes (**A, B**).



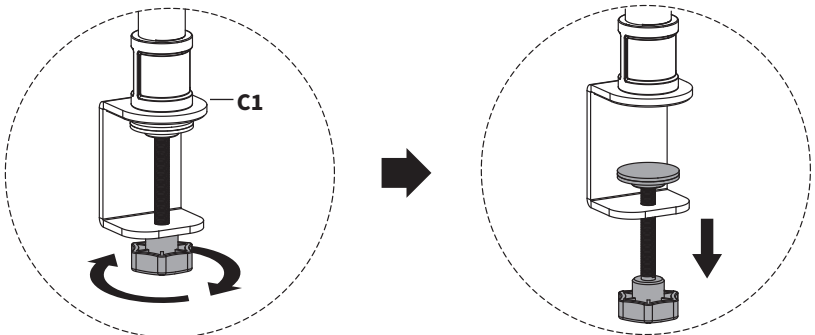
STEP 3

Place remaining Shelf (D) over threaded ends on Pipes with Clamp (C). Thread Pipes with Clamps (C) onto Middle Pipes (C). Ensure Shelf (D) is in-between both Pipes (C,D).



STEP 4

Loosen knobs on Clamps (C1) until the gap is slightly larger than the mounting surface.
NOTE: Desktop thickness range is 10mm to 50mm.



STEP 4 - Continued

Use 5mm Allen Wrench (**T-A**) to loosen Clamps (**C1**) and rotate to the correct position shown in Fig. 2.

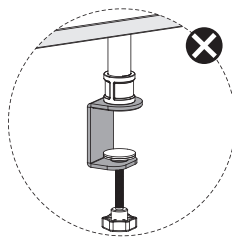
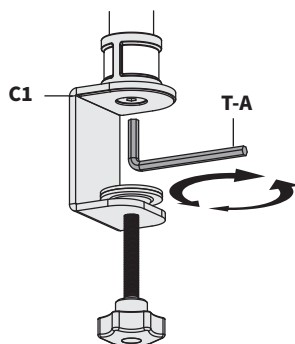


Fig.1

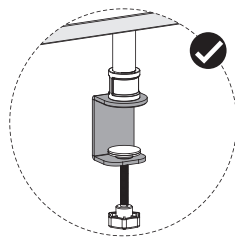
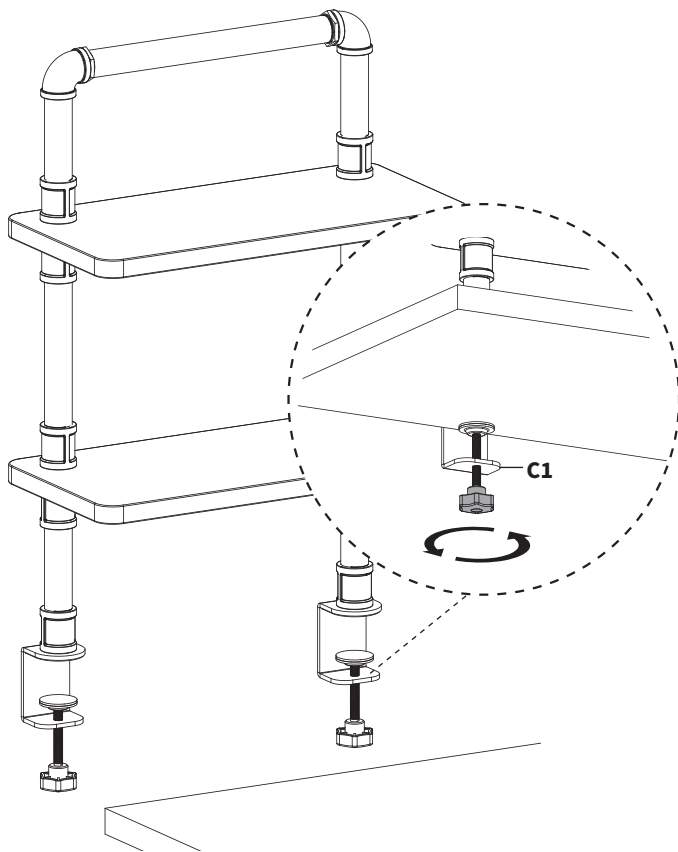


Fig.2

Rotate the Clamps (C1) to the correct position as shown in Fig. 2

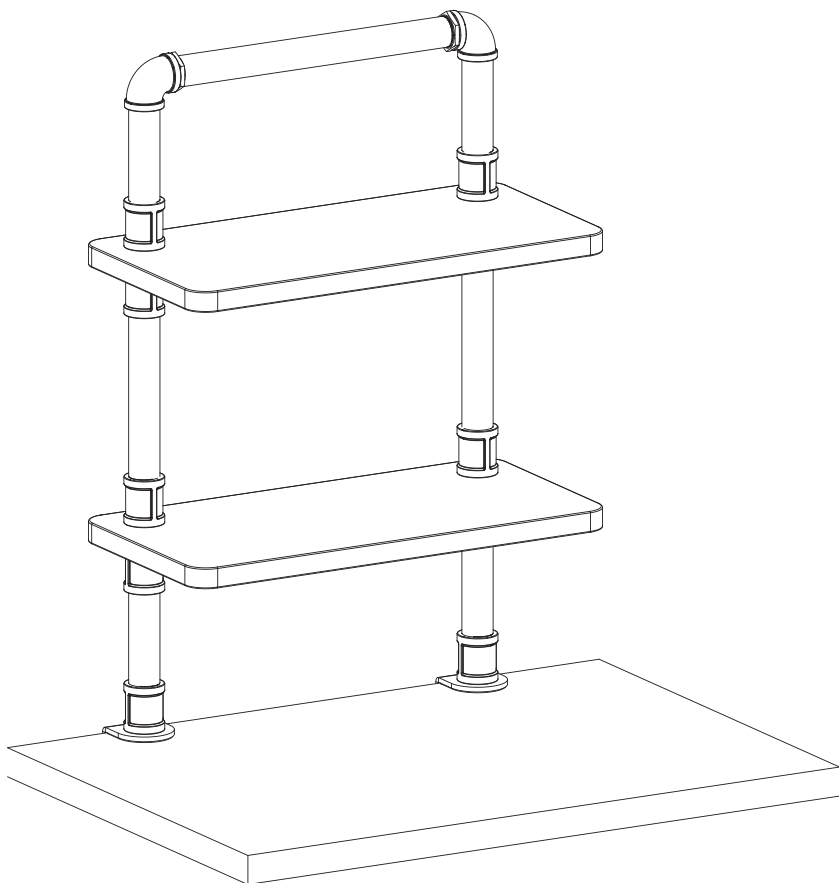
Place Clamps (**C1**) on the desk and tighten knobs to secure shelf assembly.



INSTALLATION COMPLETE

Installation is now complete and your shelf is ready for use.

Each shelf can hold 33 lbs/15 kg for a combined 66 lbs/30 kg support.



[THIS PAGE INTENTIONALLY LEFT BLANK]



Love your new VIVO setup and want to share?
Tag us in your photo! [@vivo_us](#)

LAST UPDATED: 07/24/2023
REV1



Open **Monday - Friday 7:00am - 7:00pm** CST,
our dedicated support team can offer immediate assistance with rapid response times. If any parts are received damaged or defective, please contact us. We are happy to replace parts to ensure you have a fully functioning product.



309-278-5303

AVG. RESOLUTION TIME (*within office hrs*): **5M 4S**



www.vivo-us.com
Chat live with an agent!

AVG. RESOLUTION TIME (*within office hrs*): **< 15 M**



help@vivo-us.com

AVG. RESPONSE TIME (*within office hrs*): **1HR 8M**

- 23% within < 15m
- 38% within < 30m
- 61% within < 1hr
- 83% within < 2hr
- 92% within < 3hr

FOR MORE VIVO PRODUCTS, CHECK OUT OUR WEBSITE AT: www.vivo-us.com