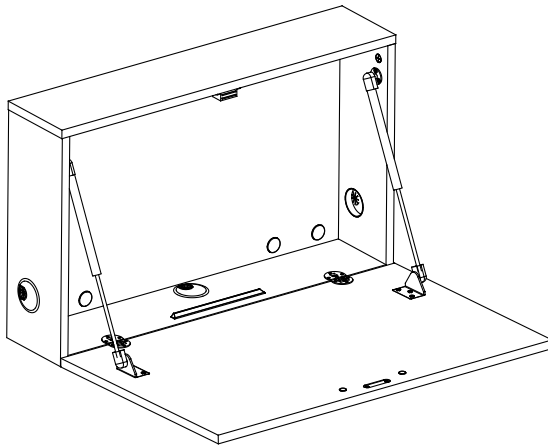




White Wall Mounted Drop-Down Cabinet and Desk

Instruction Manual



SKU: DESK-SF02W



Scan the QR code with your mobile device or follow the link for helpful videos and specifications related to this product.

<https://vivo-us.com/products/desk-sf02w>

GET IN TOUCH | Monday-Friday from 7:00am-7:00pm CST



help@vivo-us.com



www.vivo-us.com
Chat live with an agent!

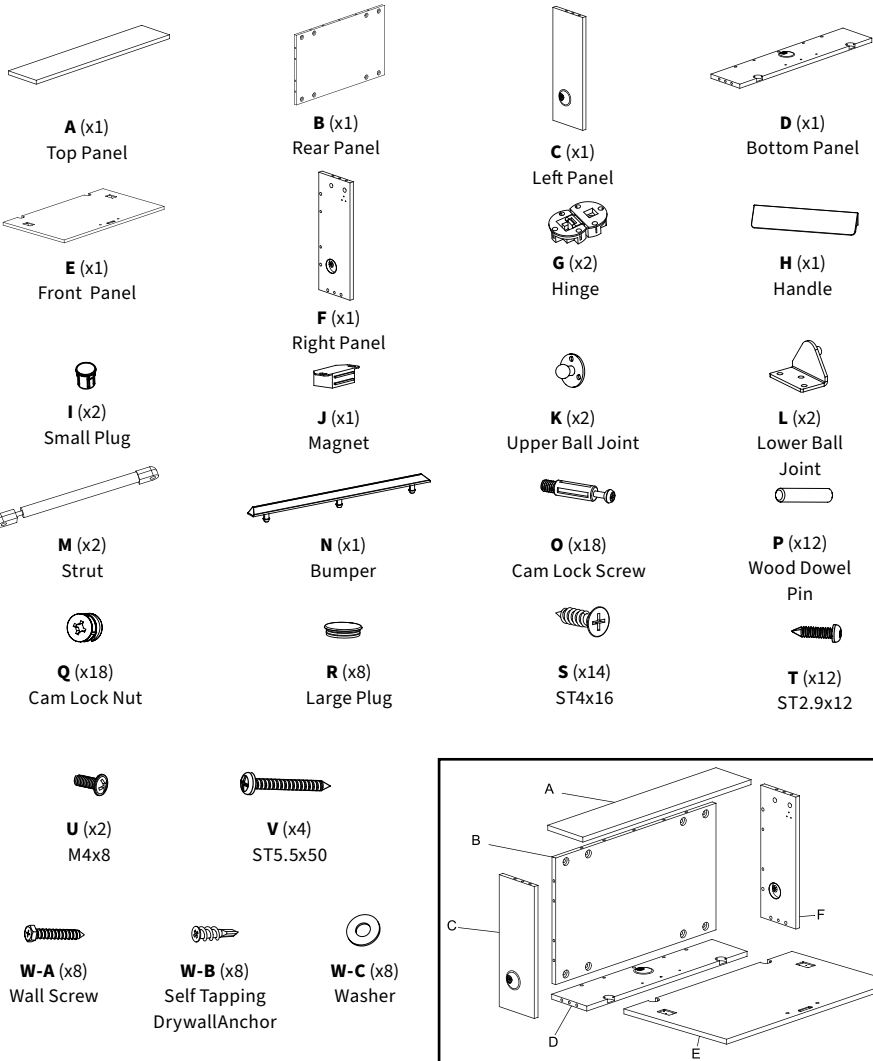


309-278-5303

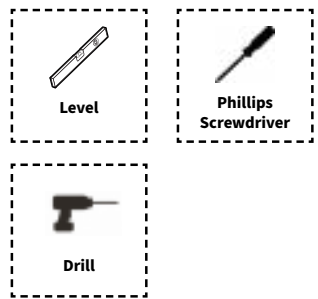
WARNING!

If you do not understand these directions, or if you have any doubts about the safety of the installation, please call a qualified technician. Check carefully to make sure there are no missing or defective parts. Improper installation may cause damage or serious injury. Do not use this product for any purpose that is not explicitly specified in this manual. Do not exceed weight capacity. We cannot be liable for damage or injury caused by improper mounting, incorrect assembly or inappropriate use.

PACKAGE CONTENTS



TOOLS NEEDED



DO NOT EXCEED WEIGHT CAPACITY.
Failure to do so may result in serious injury.

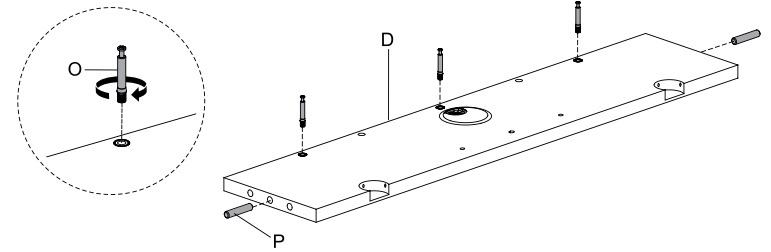


WARNING: CHOKING HAZARD
SMALL PARTS - NOT FOR CHILDREN UNDER 3 YEARS.
ADULT SUPERVISION IS REQUIRED.

ASSEMBLY STEPS

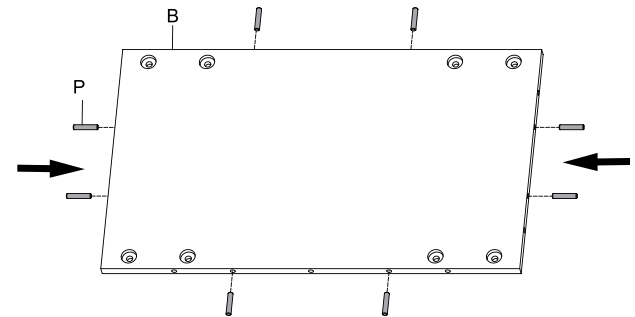
STEP 1

Insert x3 Cam Lock Screws (**O**) into Bottom Panel (**D**), and x2 Wood Dowel Pins (**P**) into sides of Panel.



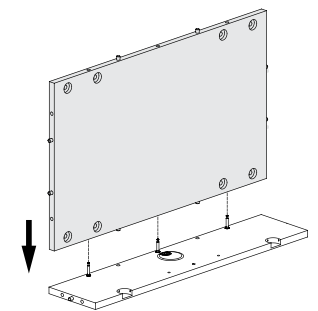
STEP 2

Insert x8 Wood Dowel Pins (**P**) into edges of Rear Panel (**B**).



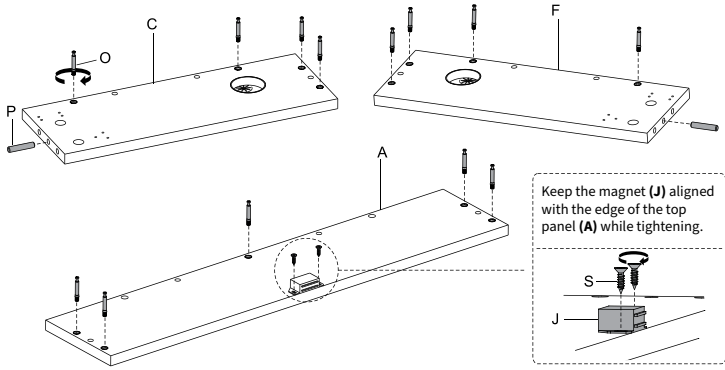
STEP 3

Assemble Rear Panel (**B**) to Bottom Panel (**D**).



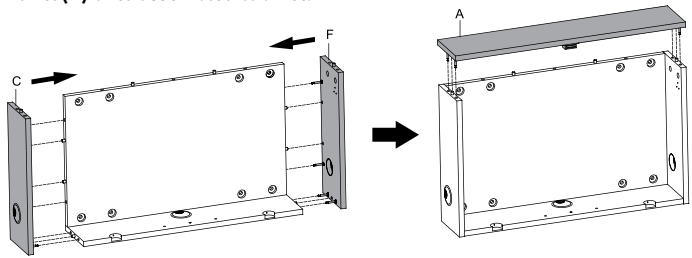
STEP 4

Insert x4 Cam Lock Screws (**O**) into Left Panel (**C**) and x1 Wood Dowel Pin into top of Panel (**C**). Repeat for Right Panel (**F**). Insert x7 Cam Lock Screws into Top Panel (**A**).



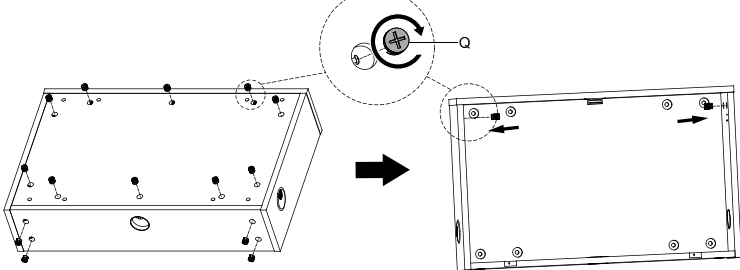
STEP 5

Assemble Left and Right Panels (**C, F**) to previously assembled Bottom and Rear Panel (**B, D**), then place Top Panel (**A**) onto assembled cabinet.



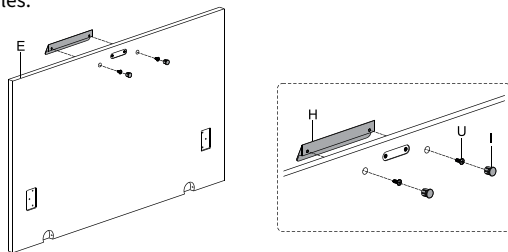
STEP 6

Insert all cam lock nuts(**Q**) into Bottom, Rear, Left and Right Panels. Turn all plugs clockwise using a Phillips screwdriver to lock Panels together.



STEP 7

Attach Handle (**H**) to front of Front Panel (**E**) using M4x8 Bolts (**U**). Once tightened, insert Small Plugs (**I**) into holes.

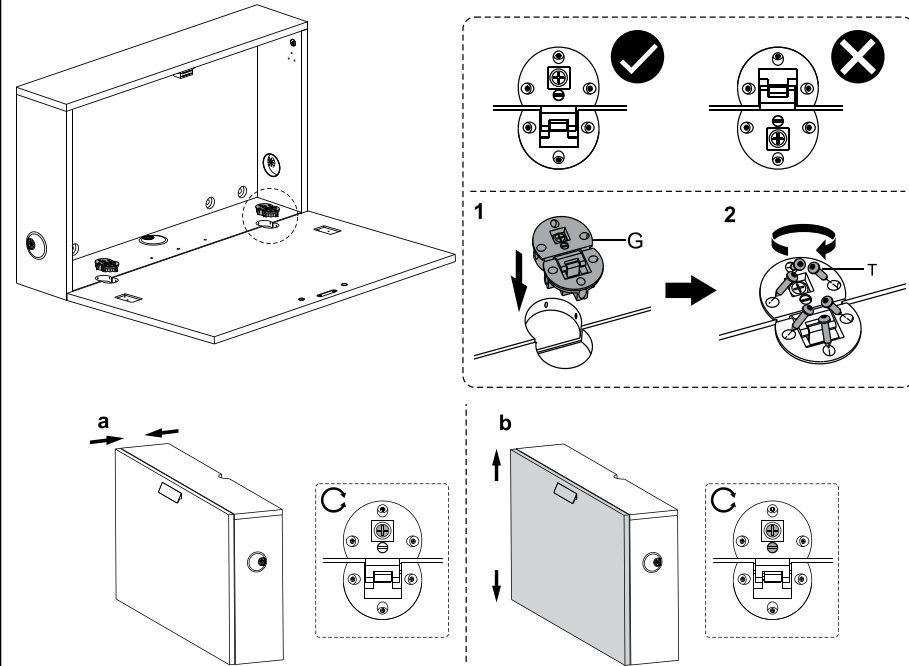


STEP 8

With the assembled cabinet standing up, place the Front Panel (**E**) face-down in front with the bottom edge flush with the cabinet. Assemble the Hinges (**G**) to the cutouts in the assembled cabinet and Front Panel using ST2.9x12 Screws (**T**), making sure the Phillips head on each Hinge is facing into the cabinet as shown in the diagram.

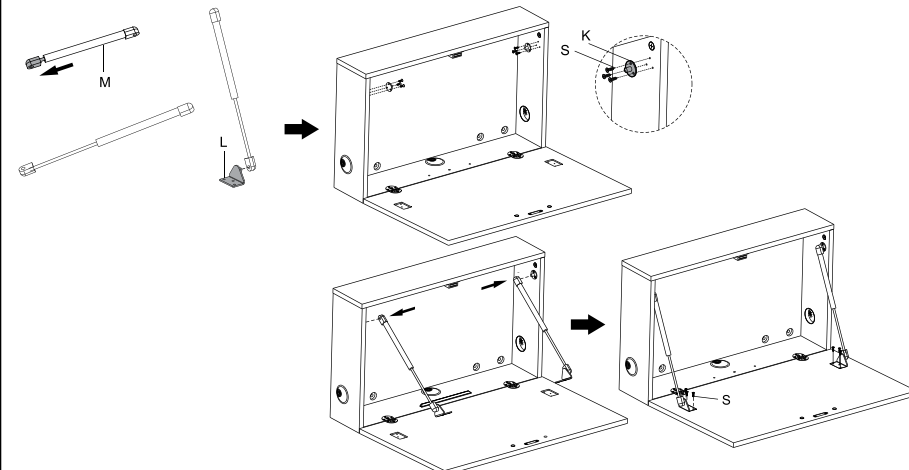


Close the assembled cabinet and check alignment of the Front Panel. If the Panel is not aligned, turn the Phillips head screw on each Hinge to align the Panel.



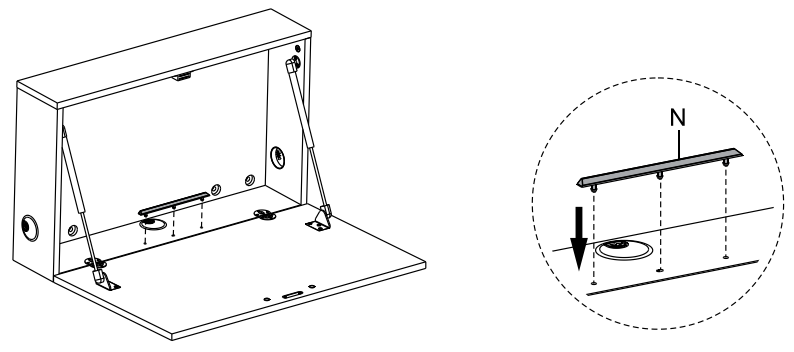
STEP 9

Extend the Struts (**M**) to their full length. Snap small ends onto Lower Ball Joints (**L**). Attach Upper Ball Joints (**K**) to Left and Right Panels (**C, F**) using x6 ST4x16 Screws (**S**). Snap large ends of Struts onto Upper Ball Joints, then attach Lower Ball Joints to Front Panel (**E**) using x6 ST4x16 Screws (**S**), making sure each ball is facing out.



STEP 10

Press Bumper (N) into holes in Bottom Panel (D).



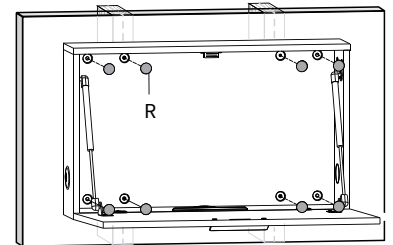
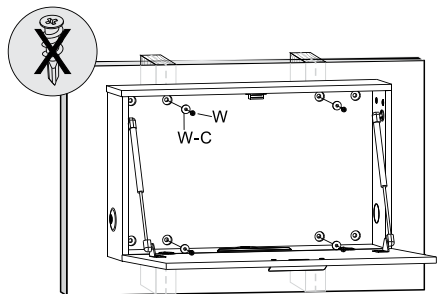
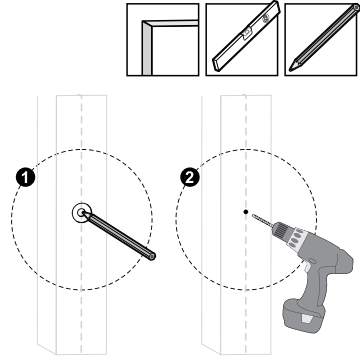
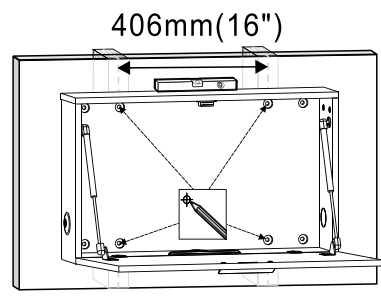
STEP 11

Determine desired location of desk on wall. Use a stud finder to determine if any vertical set of holes can be mounted into a wood stud or not. With the help of a partner, hold desk against wall and mark (8X) mounting locations through Rear Panel (B). Use of a level is recommended. Then proceed to Options A or B below.

Note: This desk is designed to mount securely in drywall only. However, it is still recommended to install at least one set of vertical mounting points in a wood stud. Two sets of mounting points are spaced 16" apart for the most secure mounting option (Option A below).

Option A: Wood Stud Installation

For all locations that line up with a stud, drill 1.75" (45mm) deep holes using a 1/8" (3mm) bit. If attaching desk with the 4X locations for wood studs, mount desk to wall using (4X) ST5.5x50mm screws (W) with (4X) washers (W-C). Install large plugs (R) over all holes on rear panel (B).

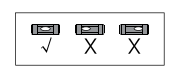
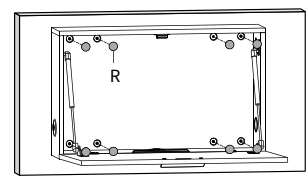
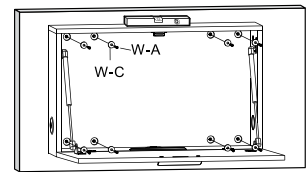
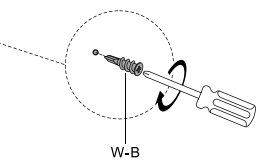
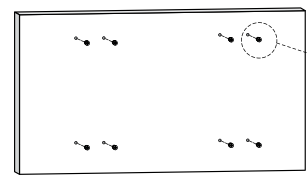
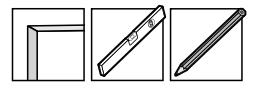
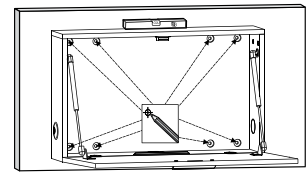


STEP 11 (Continued)

Option B: Drywall Installation

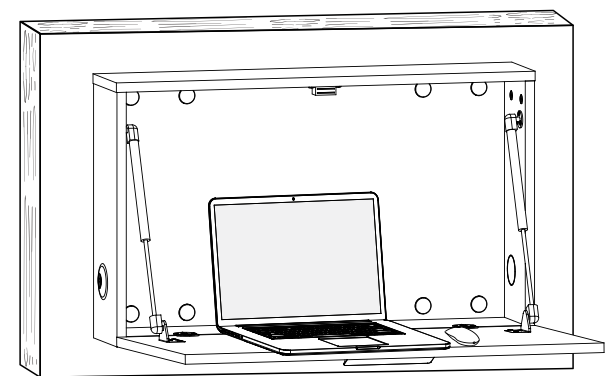
For all locations that do not line up with a stud, insert self-tapping drywall anchors (W-B) using phillips screwdriver. If attaching desk with the 8X locations in drywall, mount desk to wall using (8X) ST4x35mm screws (W-A) with (8X) washers (W-C). Install mounting hole covers (R) over all holes on rear panel (B).

Note: If attaching desk with 2X locations in wood stud, refer to Option A for wood stud drilling and installation instructions. The remaining 4X mounting points should still be installed in drywall.



STEP 12

Place laptop and other items on desk when open and in use. When not in use, all devices may be stored inside.





Love your new VIVO setup and want to share?
Tag us in your photo! **@vivo_us**

LAST UPDATED: 10/28/2020
REV2



Open **Monday - Friday 7:00am - 7:00pm** CST,
our dedicated support team can offer immediate assistance with rapid response times. If any parts are received damaged or defective, please contact us. We are happy to replace parts to ensure you have a fully functioning product.



help@vivo-us.com

AVG. RESPONSE TIME (*within office hrs*): **1HR 8M**

- 23% within < 15m
- 38% within < 30m
- 61% within < 1hr
- 83% within < 2hr
- 92% within < 3hr



www.vivo-us.com
Chat live with an agent!

AVG. RESOLUTION TIME (*within office hrs*): **< 15 M**



309-278-5303

AVG. RESOLUTION TIME (*within office hrs*): **5M 4S**

FOR MORE VIVO PRODUCTS, CHECK OUT OUR WEBSITE AT: www.vivo-us.com