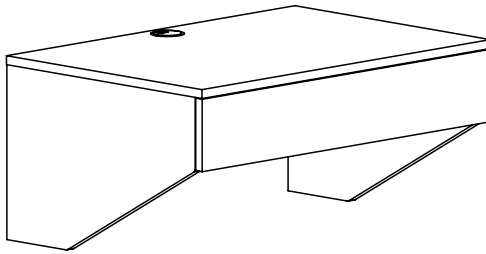




White Wall Mounted Desk with Drawer

Instruction Manual



SKU: DESK-SF01W



Scan the QR code with your mobile device or follow the link for helpful videos and specifications related to this product.

<https://vivo-us.com/products/desk-sf01w>

GET IN TOUCH | Monday-Friday from 7:00am-7:00pm CST



help@vivo-us.com



www.vivo-us.com
Chat live with an agent!

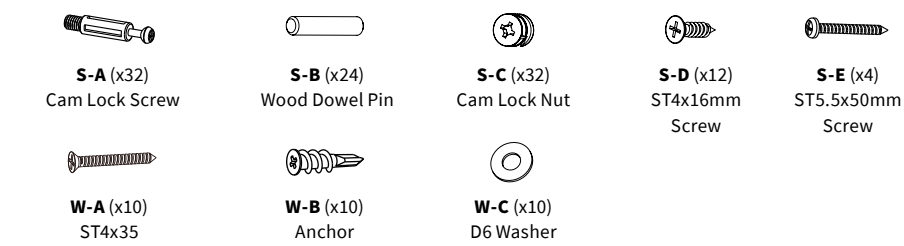
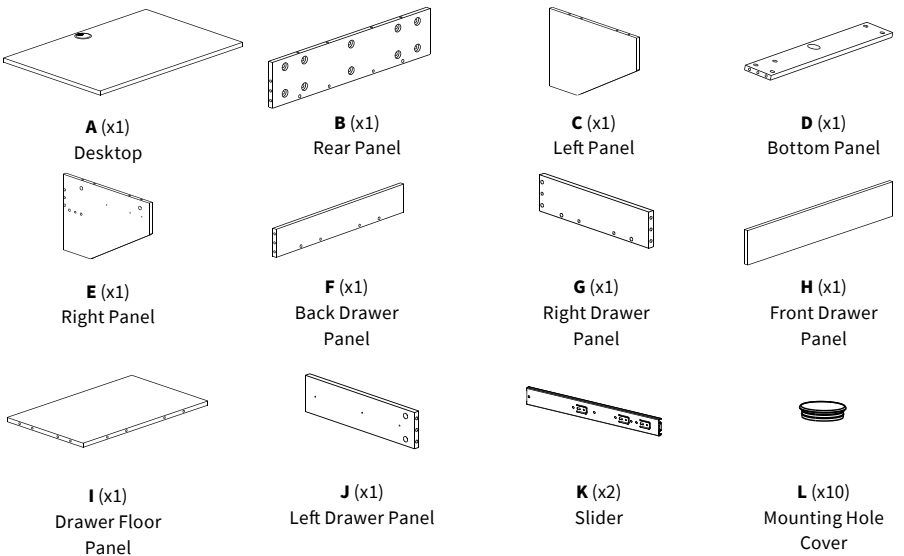


309-278-5303

WARNING!

If you do not understand these directions, or if you have any doubts about the safety of the installation, please call a qualified technician. Check carefully to make sure there are no missing or defective parts. Improper installation may cause damage or serious injury. Do not use this product for any purpose that is not explicitly specified in this manual. Do not exceed weight capacity. We cannot be liable for damage or injury caused by improper mounting, incorrect assembly or inappropriate use.

PACKAGE CONTENTS



CAUTION!

DO NOT INSTALL INTO DRYWALL ALONE. VERIFY YOUR WALL CONSTRUCTION. USE WOOD STUDS TO MOUNT. We include mounting hardware for brick and concrete walls. If unsure, please contact us at vivo-us.com, email at help@vivo-us.com, or call us at 309-278-5303.

TOOLS NEEDED



WARNING: CHOKING HAZARD

SMALL PARTS - NOT FOR CHILDREN UNDER 3 YEARS. ADULT SUPERVISION IS REQUIRED.

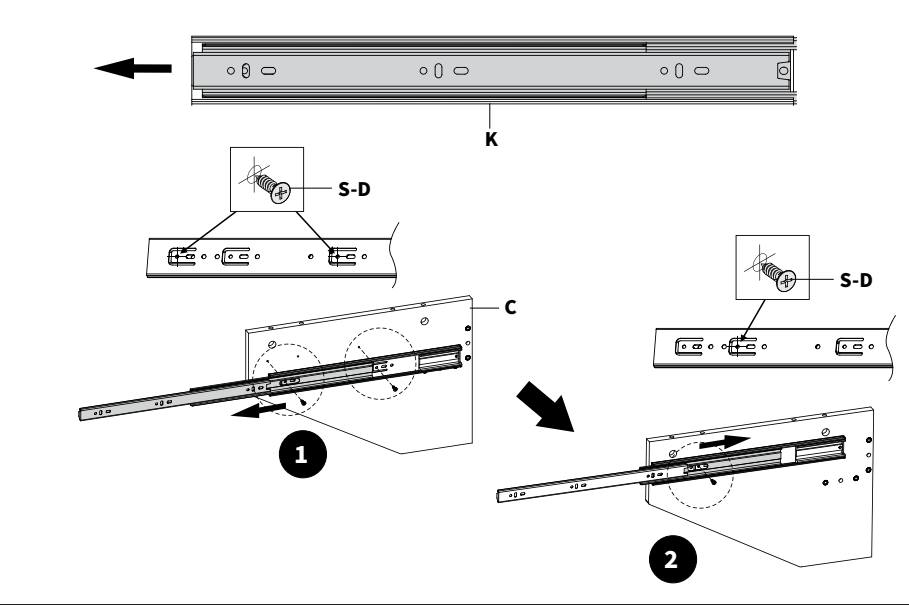


DO NOT EXCEED WEIGHT CAPACITY. Failure to do so may result in serious injury.

ASSEMBLY STEPS

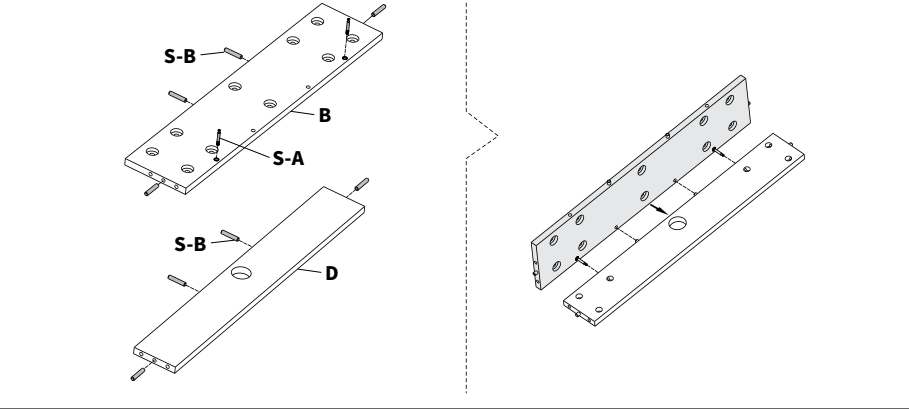
STEP 1

Pull open Slider (K) fully, then attach Slider to Left Panel (C) by installing ST4x16mm Screws (S-D) in the first and third hole, as shown below using a Phillips screwdriver. Move Slider (K) slightly back and install third ST4x16mm Screw (S-D), as shown below. Repeat for Right Panel (E).



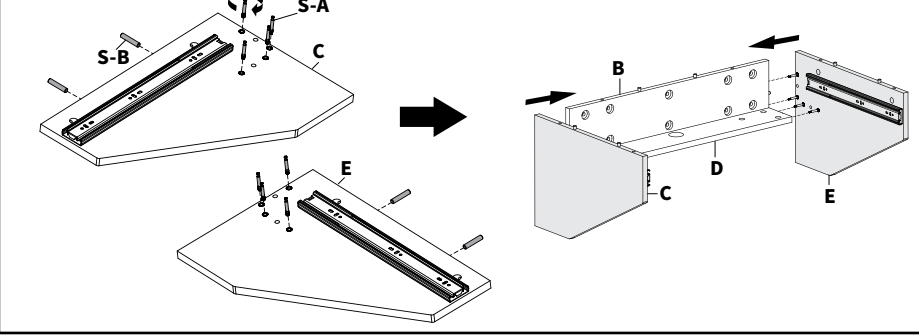
STEP 2

Insert Cam Lock Screw (S-A) into front of Rear Panel (B) as shown using a Phillips screwdriver. Insert four Wood Dowel Pins (S-B) into top and sides of Rear Panel, and four Wood Dowel Pins into rear and sides of Bottom Panel (D). Assemble Rear Panel to Bottom Panel.



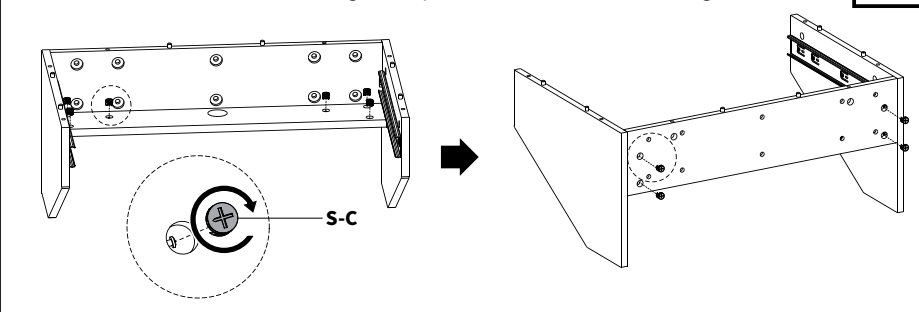
STEP 3

Insert Cam Lock Screws (S-A) into Right Panel (E), and two Wood Dowel Pins (S-B) into top of Left Panel (C). Repeat for Left Panel (C). Assemble Left and Right Panels to previously assembled Rear and Bottom Panels (B, D).



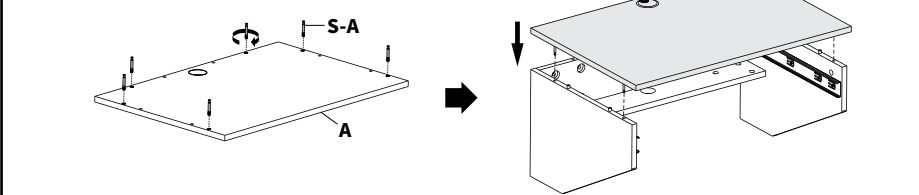
STEP 4

Insert six Cam Lock Nuts (S-C) into top of Bottom Panel (D) and four Nuts into back of Rear Panel (B). Turn all Nuts clockwise using a Phillips screwdriver to lock Panels together.



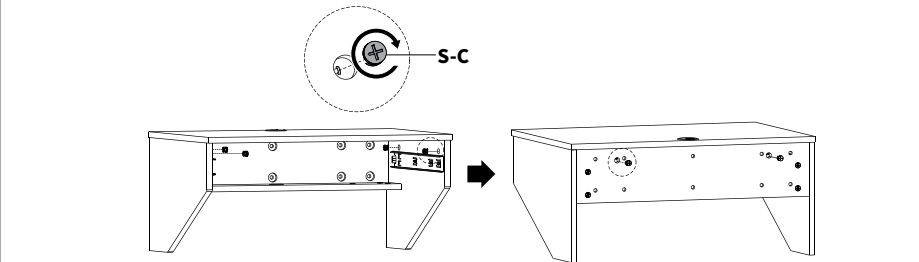
STEP 5

Insert six Cam Lock Screws (S-A) into bottom of Desktop (A). Place Desktop onto frame assembly.



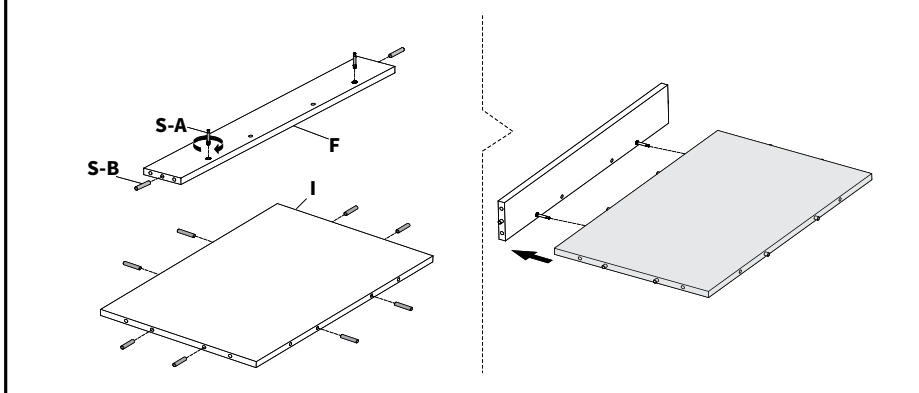
STEP 6

Insert two Cam Lock Nuts (S-C) into Left Panel (C), two Nuts into Right Panel (E), and two Nuts into Rear Panel (B). Turn all Nuts clockwise using a Phillips screwdriver to secure Desktop (A).



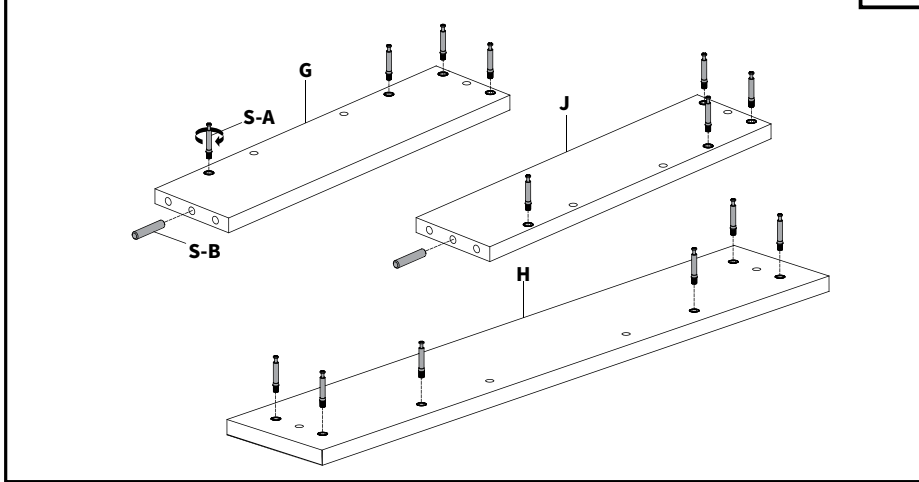
STEP 7

Insert two Cam Lock Screws (S-A) into front of Back Drawer Panel (F). Insert two Wood Dowel Pins (S-B) into sides of Back Drawer Panel (F), and six Wood Dowel Pins (S-A) into edges of Floor Panel (I). Assemble Rear Drawer Panel to the Floor Panel.



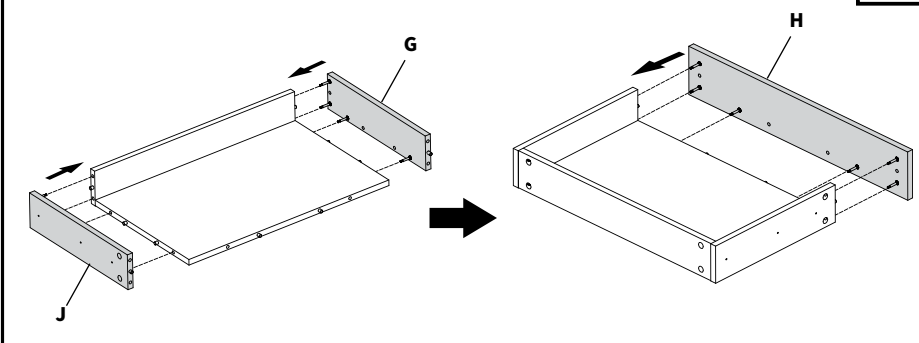
STEP 8

Insert four Cam Lock Screws (S-A) and one Wood Dowel Pin (S-B) into Right Drawer Panel (G). Repeat for Left Drawer Panel (J). Insert six Cam Lock Screws into Front Drawer Panel (H).



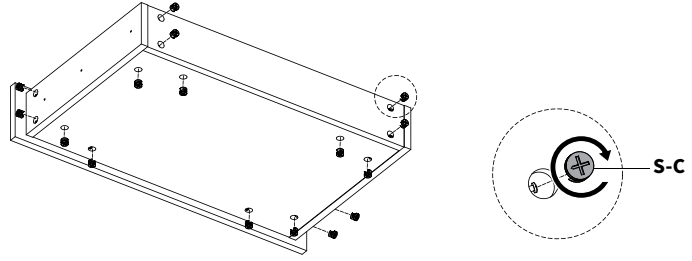
STEP 9

Assemble the Right and left Drawer Panels (G,J) to the Rear and Floor Panel assembly as shown below. Assemble the Front Drawer Panel (H) to the drawer assembly.



STEP 10

Insert Cam Lock Nuts (**S-C**) into all of the drawer panels shown below. Turn all Nuts clockwise using a Phillips screwdriver to lock Panels together.



STEP 11

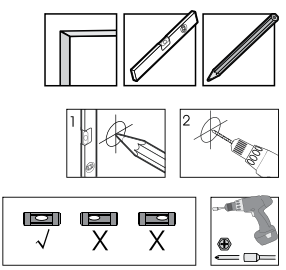
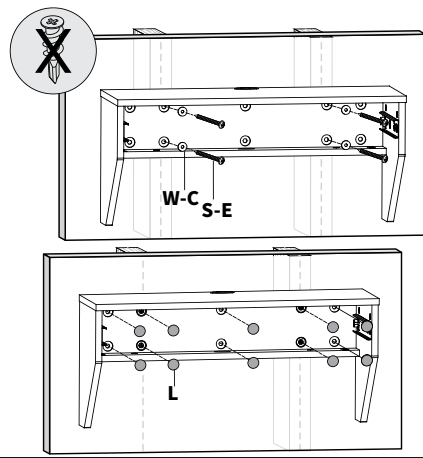
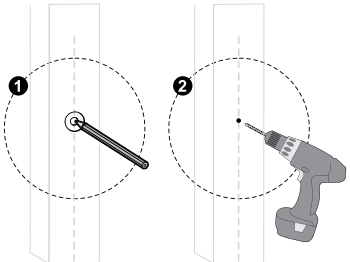
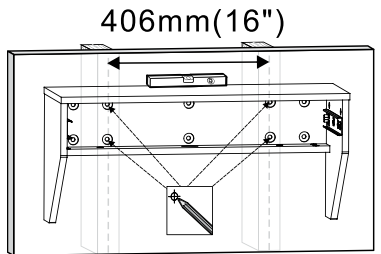
Determine desired location of desk on wall. Use a stud finder to determine if any vertical set of holes can be mounted into a wood stud or not. With the help of a partner, hold desk against wall and mark (10X) mounting locations through Rear Panel (**B**). Use of a level is recommended. Then proceed to Options A or B below.



Note: This desk is designed to mount securely in drywall only. However, it is still recommended to install at least one set of vertical mounting points in a wood stud. Two sets of mounting points are spaced 16" apart for the most secure mounting option (Option A below).

Option A: Wood Stud Installation Only

For all locations that line up with a stud, drill 1.75" (45mm) deep holes using a 1/8" (3mm) bit. If attaching desk with the four locations for wood studs, mount desk to wall using four ST5.5x50mm Screws (**S-E**) with four Washers (**W-C**). Install Mounting Hole Covers (**L**) over all holes on rear panel (**B**).

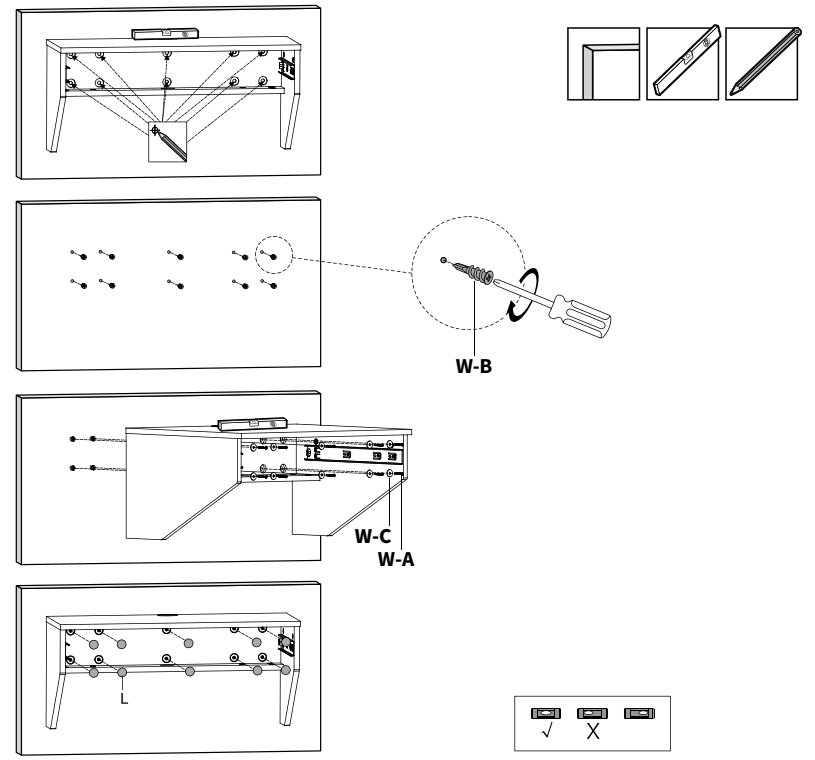


STEP 11 (Continued)

Option B: Drywall Installation

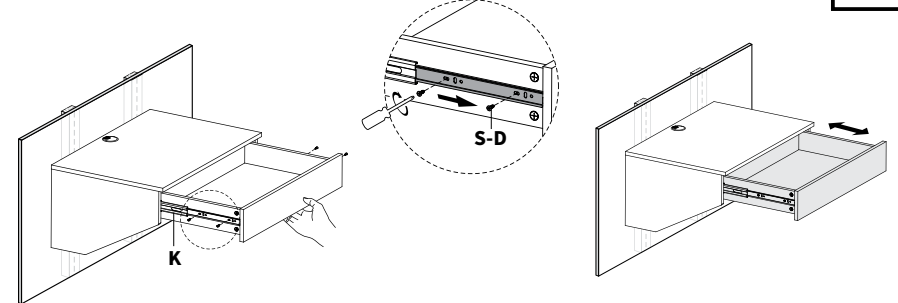
For all locations that do not line up with a stud, insert self-tapping drywall anchors (**W-B**) using Phillips screwdriver. If attaching desk with the 10X locations in drywall, mount desk to wall using ten ST4x35mm Screws (**W-A**) with ten Washers (**W-C**). Install Mounting Hole Covers (**L**) over all holes on Rear Panel (**B**).

Note: If attaching desk with 2X locations in wood stud, refer to Option A for wood stud drilling instructions. The remaining 6X mounting points should still be installed in drywall.



STEP 12

Pull Sliders (**K**) all the way forward. Secure assembled drawer to Sliders using ST4x16mm Screws (**S-D**). Push drawer back into desk.





Love your new VIVO setup and want to share?
Tag us in your photo! **@vivo_us**

LAST UPDATED: 09/06/2022
REV2



Open **Monday - Friday 7:00am - 7:00pm** CST,
our dedicated support team can offer immediate assistance with rapid response times. If any parts are received damaged or defective, please contact us. We are happy to replace parts to ensure you have a fully functioning product.



309-278-5303

AVG. RESOLUTION TIME (*within office hrs*): **5M 4S**



www.vivo-us.com
Chat live with an agent!

AVG. RESOLUTION TIME (*within office hrs*): **< 15 M**



help@vivo-us.com

AVG. RESPONSE TIME (*within office hrs*): **1HR 8M**

- 23% within < 15m
- 38% within < 30m
- 61% within < 1hr
- 83% within < 2hr
- 92% within < 3hr

FOR MORE VIVO PRODUCTS, CHECK OUT OUR WEBSITE AT: www.vivo-us.com