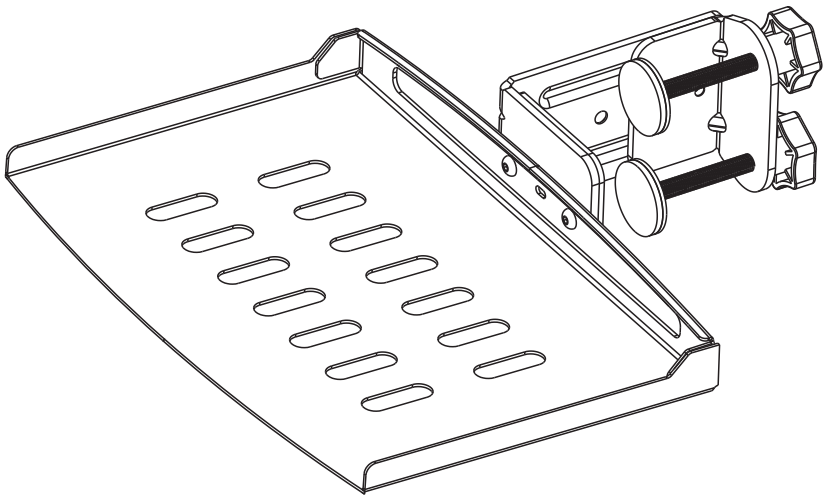




---

## Black Under Desk Leg Clamp Shelf

### Instruction Manual



**SKU: DESK-SF01LC**



Scan the QR code with your mobile device or follow the link for helpful videos and specifications related to this product.

<https://vivo-us.com/products/desk-sf01lc>

---

GET IN TOUCH | Monday-Friday from 7:00am-7:00pm CST



help@vivo-us.com



www.vivo-us.com  
*Chat live with an agent!*



309-278-5303

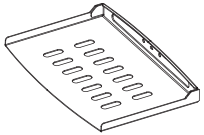
# **WARNING!**

If you do not understand these directions, or if you have any doubts about the safety of the installation, please call a qualified technician. Check carefully to make sure there are no missing or defective parts. Improper installation may cause damage or serious injury. Do not use this product for any purpose that is not explicitly specified in this manual and do not exceed weight capacity. We cannot be liable for damage or injury caused by improper mounting, incorrect assembly, or inappropriate use.

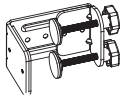
## **WARNING: CHOKING HAZARD**

SMALL PARTS - NOT FOR CHILDREN UNDER 3 YEARS. ADULT SUPERVISION IS REQUIRED.

## PACKAGE CONTENTS



**A** (x1)  
Tray



**B** (x1)  
Clamp



**S-A** (x2)  
M5x6mm Screw



**T-A** (x1)  
3mm Allen Wrench

## TOOLS NEEDED



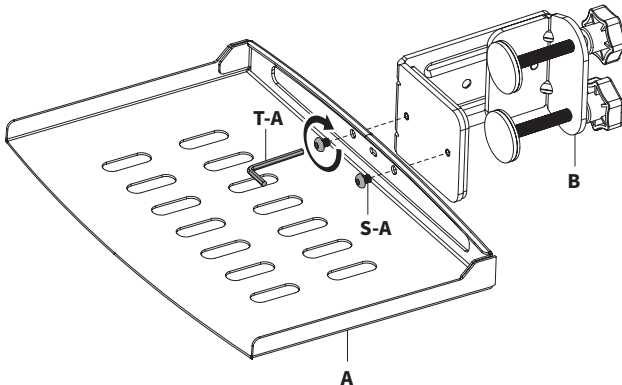
**DO NOT EXCEED WEIGHT CAPACITY.**  
Failure to do so may result in serious injury.



## ASSEMBLY STEPS

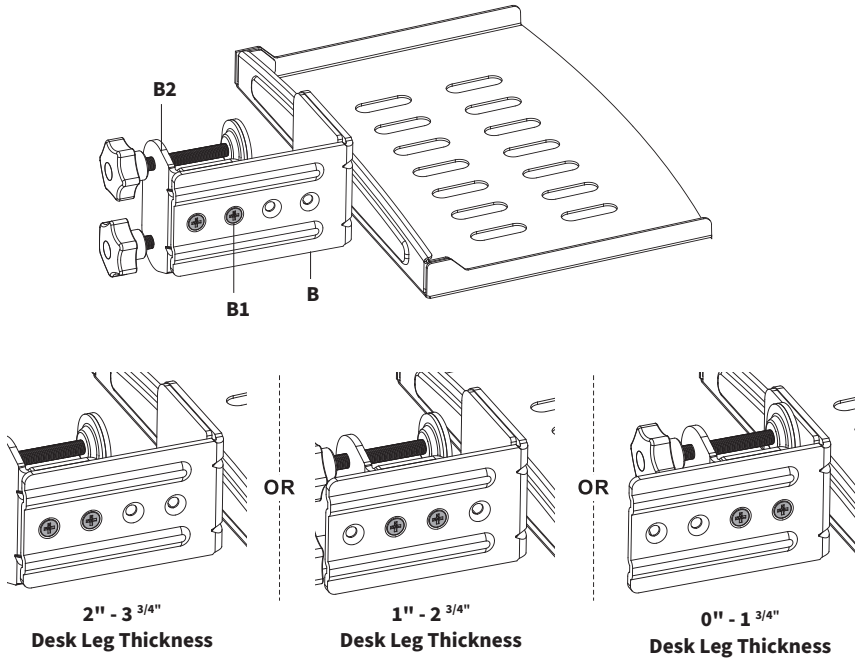
### STEP 1

Connect Tray (**A**) to Clamp (**B**) with M5x6mm Screw (**S-A**) and 3mm Allen Wrench (**T-A**).



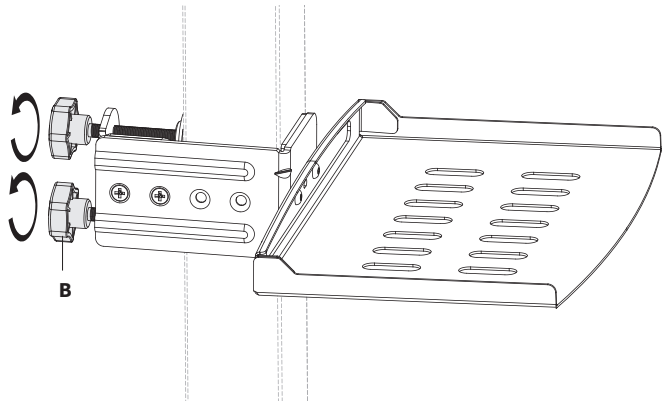
## STEP 2

Clamp **(B)** can be adjusted to accommodate greater desk leg thickness. Remove rear Screw Set **(B1)** from back side of Clamp **(B)** using a Phillips screwdriver. Adjust placement of Lower Clamp **(B2)** using one of the options at the bottom, and re-attach using Screw Set **(B1)** and Phillips screwdriver.



## STEP 3

Adjust Clamp **(B)** to fit desk leg by turning knobs counter clockwise. Install assembly onto desk leg by tightening knobs.



**\*\* CAUTION \*\***

**Ensure height adjustable desk is at lowest height setting before securing Clamp to desk leg. Check for any possible obstacles in path of assembled shelf when raising up.**



Open **Monday - Friday 7:00am - 7:00pm** CST, our dedicated support team can offer immediate assistance with rapid response times. If any parts are received damaged or defective, please contact us. We are happy to replace parts to ensure you have a fully functioning product.



309-278-5303

**AVG. RESOLUTION TIME** (*within office hrs*): **5M 4S**



[www.vivo-us.com](http://www.vivo-us.com)  
*Chat live with an agent!*

**AVG. RESOLUTION TIME** (*within office hrs*): **< 15 M**



[help@vivo-us.com](mailto:help@vivo-us.com)

**AVG. RESPONSE TIME** (*within office hrs*): **1HR 8M**

- 23% within < 15m
- 38% within < 30m
- 61% within < 1hr
- 83% within < 2hr
- 92% within < 3hr