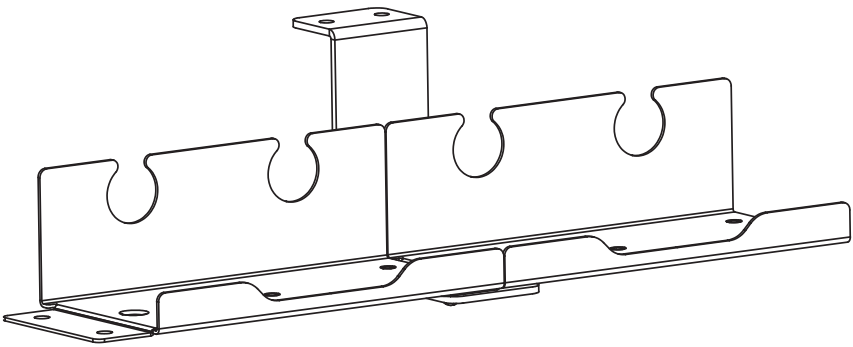




Black Under Desk Modular Power Strip Tray Instruction Manual



SKU: DESK-PS02T



Scan the QR code with your mobile device or follow the link for helpful videos and specifications related to this product.

<https://vivo-us.com/products/desk-ps02t>

GET IN TOUCH | Monday-Friday from 7:00am-7:00pm CST



help@vivo-us.com



www.vivo-us.com
Chat live with an agent!



309-278-5303

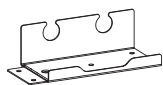
WARNING!

If you do not understand these directions, or if you have any doubts about the safety of the installation, please call a qualified technician. Check carefully to make sure there are no missing or defective parts. Improper installation may cause damage or serious injury. Do not use this product for any purpose that is not explicitly specified in this manual and do not exceed weight capacity. We cannot be liable for damage or injury caused by improper mounting, incorrect assembly, or inappropriate use.

WARNING: CHOKING HAZARD

SMALL PARTS - NOT FOR CHILDREN UNDER 3 YEARS. ADULT SUPERVISION IS REQUIRED.

PACKAGE CONTENTS



A (x2)
Tray



B (x1)
Mounting
Bracket



S-A (x4)
M4x5mm
Screw



S-B (x3)
M4 Washer



W-A (x2)
ST4.8x16
Screw

TOOLS NEEDED



Phillips
Screwdriver

DO NOT EXCEED WEIGHT CAPACITY.

Failure to do so may result in serious injury.

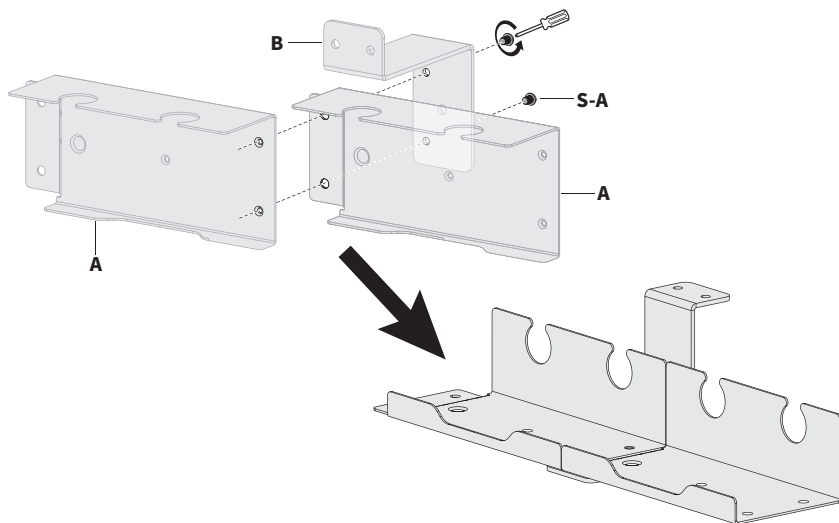


NOTE: Some hardware will not be used.

ASSEMBLY STEPS

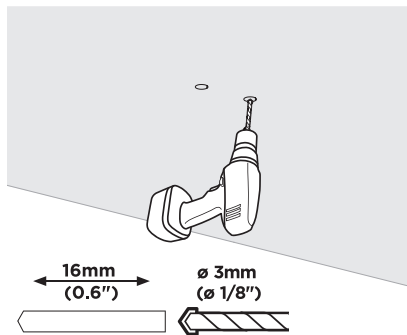
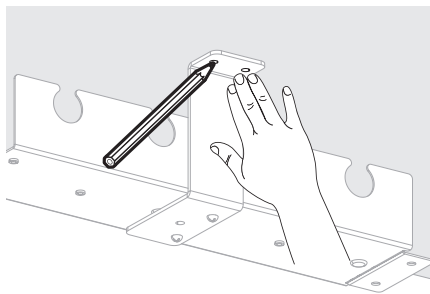
STEP 1

Connect Tray (**A**) to Mounting Bracket (**B**) using M4x5mm Screws (**S-A**) and a Phillips screwdriver.



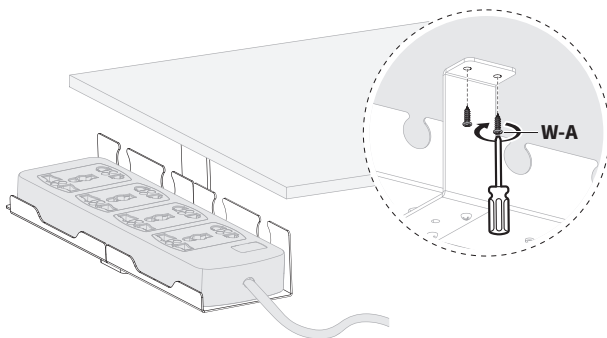
STEP 2

Place assembly in desired location and use a pencil to mark pilot holes. Using a 1/8" (3mm) drill bit, drill two pilot holes 0.6" (16mm) deep.



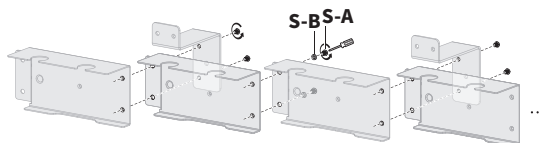
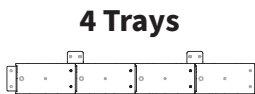
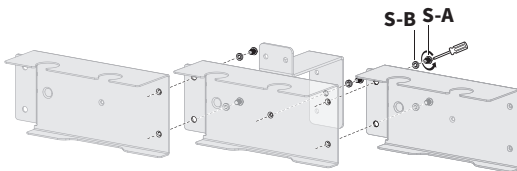
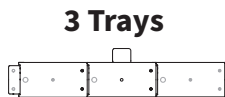
STEP 3

Attach assembly to desktop using ST4.8x16 Screws (**W-A**) and a Phillips Screwdriver.



Adding Additional Tray Sets

If you purchased additional sets, connect together as shown below using M4x5mm Screws (**S-A**) and M4 Washers (**S-B**). Repeat steps 2-3 to finish installation.





Open **Monday - Friday 7:00am - 7:00pm** CST,
our dedicated support team can offer immediate assistance with rapid response times. If any parts are received damaged or defective, please contact us. We are happy to replace parts to ensure you have a fully functioning product.



309-278-5303

AVG. RESOLUTION TIME (*within office hrs*): **5M 4S**



www.vivo-us.com
Chat live with an agent!

AVG. RESOLUTION TIME (*within office hrs*): **< 15 M**



help@vivo-us.com

AVG. RESPONSE TIME (*within office hrs*): **1HR 8M**

- 23% within < 15m
- 38% within < 30m
- 61% within < 1hr
- 83% within < 2hr
- 92% within < 3hr