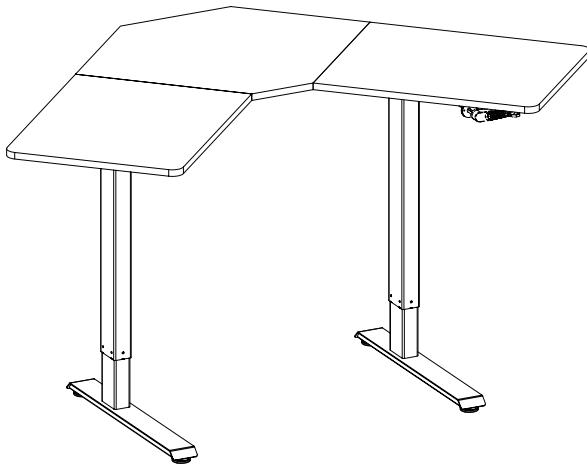




Black 47" x 47" Corner Manual Height Adjustable Desk Instruction Manual



SKU: DESK-M2LCB



Scan the QR code with your mobile device or follow the link for helpful videos and specifications related to this product.

<https://vivo-us.com/products/desk-m2lcb>

GET IN TOUCH | Monday-Friday from 7:00am-7:00pm CST



help@vivo-us.com



www.vivo-us.com
Chat live with an agent!



309-278-5303

⚠️ WARNING!

If you do not understand these directions, or if you have any doubts about the safety of the installation, please call a qualified technician. Check carefully to make sure there are no missing or defective parts. Improper installation may cause damage or serious injury. Do not use this product for any purpose that is not explicitly specified in this manual and do not exceed weight capacity. We cannot be liable for damage or injury caused by improper mounting, incorrect assembly, or inappropriate use.

⚠️ WARNING: CHOKING HAZARD

SMALL PARTS - NOT FOR CHILDREN UNDER 3 YEARS. ADULT SUPERVISION IS REQUIRED.

PACKAGE CONTENTS



A (x1)
Desktop
Panel Set



B (x4)
Connector
Plate



C (x1)
Left Support
Bar



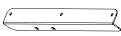
D (x1)
Right Support
Bar



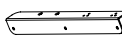
E (x1)
Left Leg



F (x1)
Right Leg



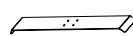
G (x1)
Left Side Bracket



H (x1)
Right Side Bracket



I (x1)
Support Bar
Connector



J (x2)
Foot



K (x4)
Foot Pad



L (x1)
Sync Rod



M (x1)
Crank Handle



N (x1)
Cable Tray



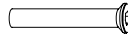
S-A (x39)
M5x16 Screw



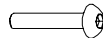
S-B (x12)
M6x8 Screw



S-C (x8)
Wooden Dowel



S-D (x4)
M8x47 Screw



S-E (x8)
M6x35 Screw



S-F (x6)
M6x10 Screws



S-G (x20)
Anti-Vibration
Pad



T-A (x1)
2mm Allen Wrench



T-B (x1)
4mm Allen Wrench



T-C (x1)
5mm Allen Wrench

NOTE: Extras of each screw size have been included

DO NOT EXCEED WEIGHT CAPACITY.

Failure to do so may result in serious injury.



⚠️ WARNING

PINCH POINT

DO NOT place hands on or near support bars. Moving parts can crush and cut. Pinch points are created during lifting and lowering the worksurface. Failure to follow these instructions may result in serious personal injury.



TOOLS NEEDED



Drill

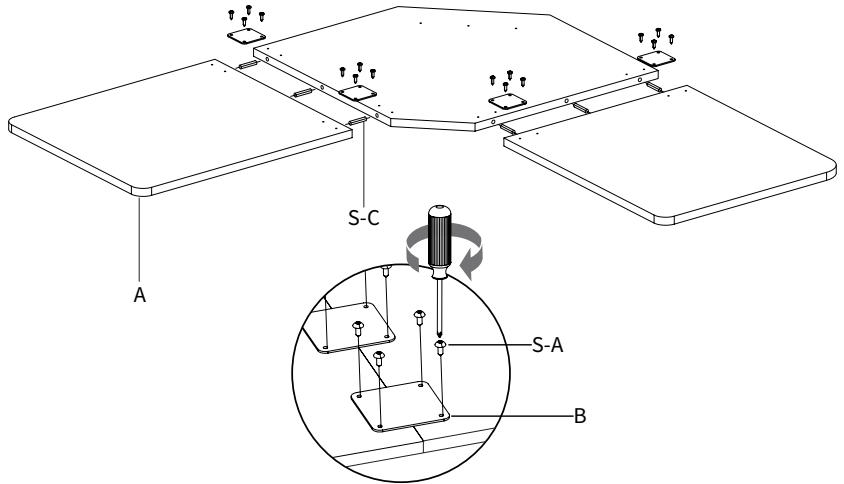


Phillips
Screwdriver

ASSEMBLY STEPS

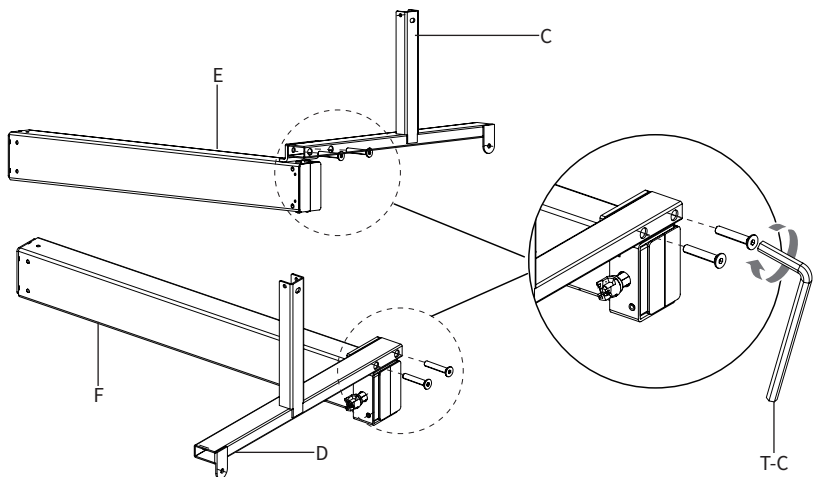
STEP 1

Place Desktop Panel Set **(A)** upside down on a flat surface, then assemble using Wooden Dowels **(S-C)**. Mount Connector Plates **(B)** with M5x16 Screws **(S-A)** and a Phillips screwdriver.



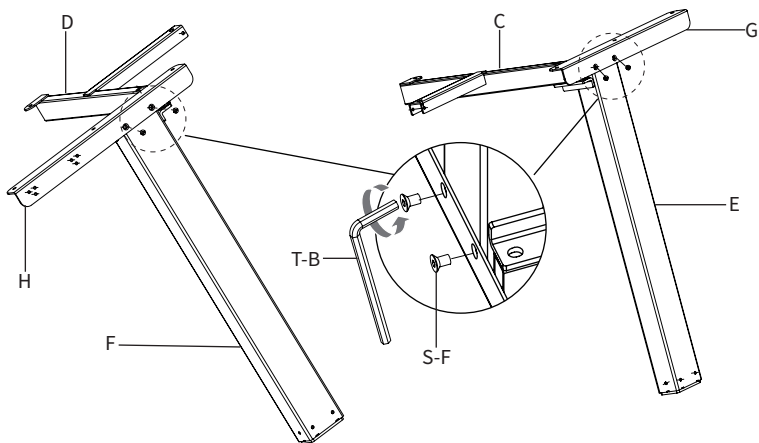
STEP 2

Assemble Left Support Bar **(C)** to Left Leg **(E)** and Right Support Bar **(D)** to Right Leg **(F)** using M8x47 Screws **(S-D)**. Tighten with 5mm Allen Wrench **(T-C)**.



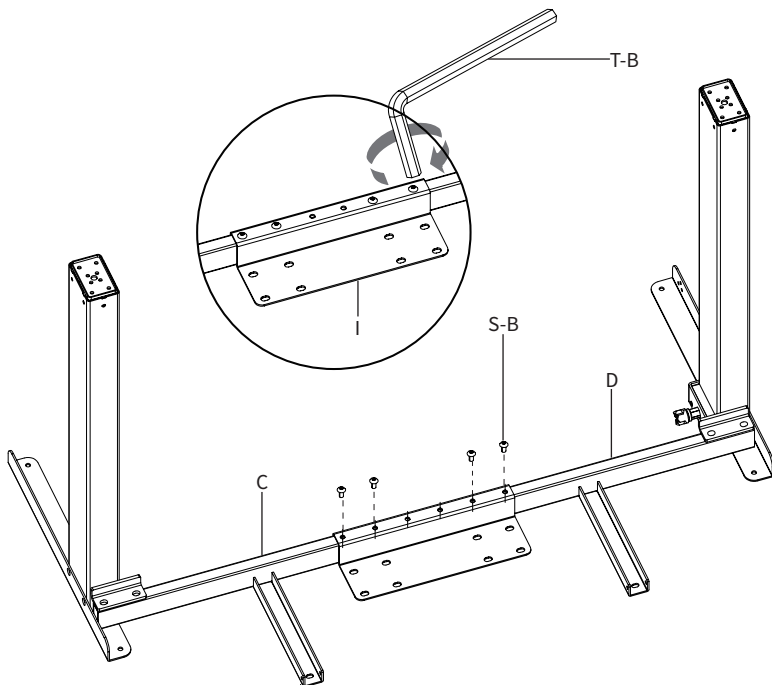
STEP 3

Attach Left Side Bracket (**G**) to Left Leg (**E**) and Right Side Bracket (**H**) to Right Leg (**F**) using M6x10mm Screws (**S-F**). Tighten with 4mm Allen Wrench (**T-B**).



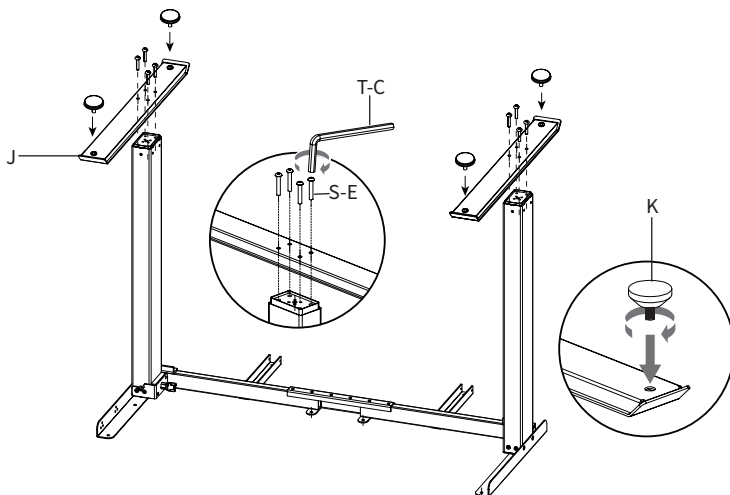
STEP 4

Attach Support Bar Connector (**I**) to Left Support Bar (**C**) and Right Support Bar (**D**) using M6x8 Screws (**S-B**) and 4mm Allen Wrench (**T-B**).



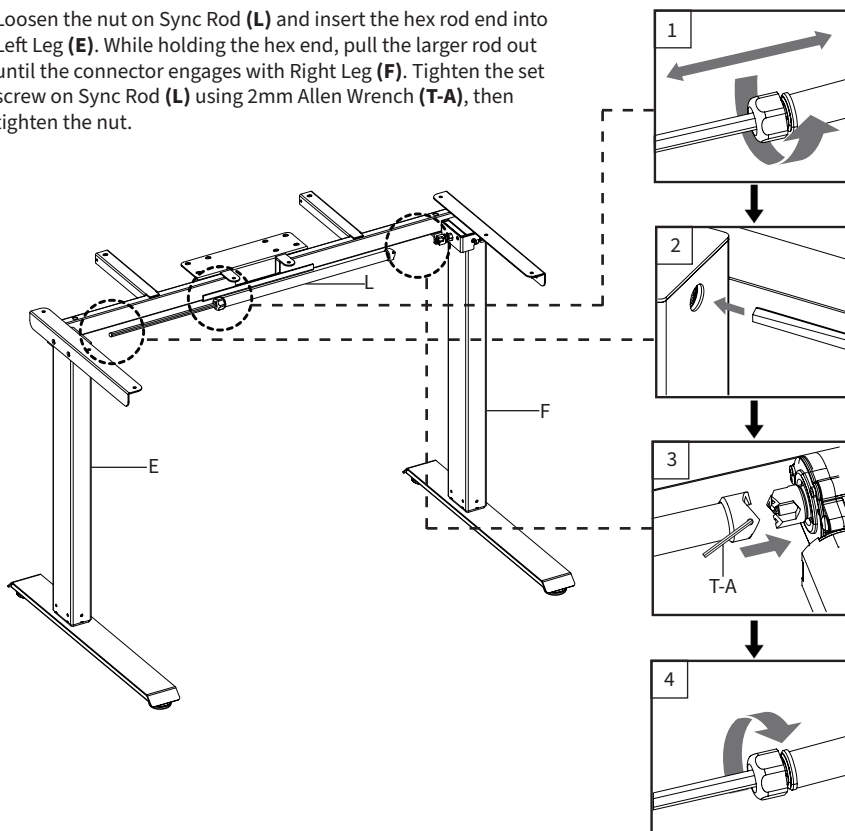
STEP 5

Install Feet (**J**) on the legs as shown using M6x35 Screws (**S-E**) and 5mm Allen Wrench (**T-C**). Screw Foot Pads (**K**) into Feet (**J**).



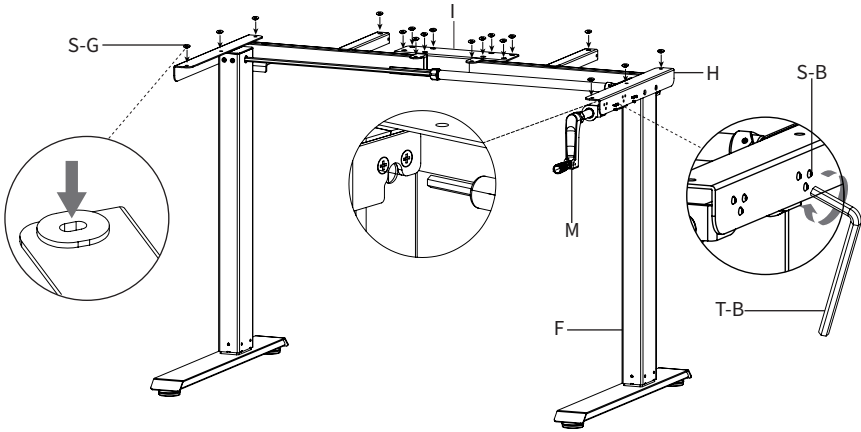
STEP 6

Loosen the nut on Sync Rod (**L**) and insert the hex rod end into Left Leg (**E**). While holding the hex end, pull the larger rod out until the connector engages with Right Leg (**F**). Tighten the set screw on Sync Rod (**L**) using 2mm Allen Wrench (**T-A**), then tighten the nut.



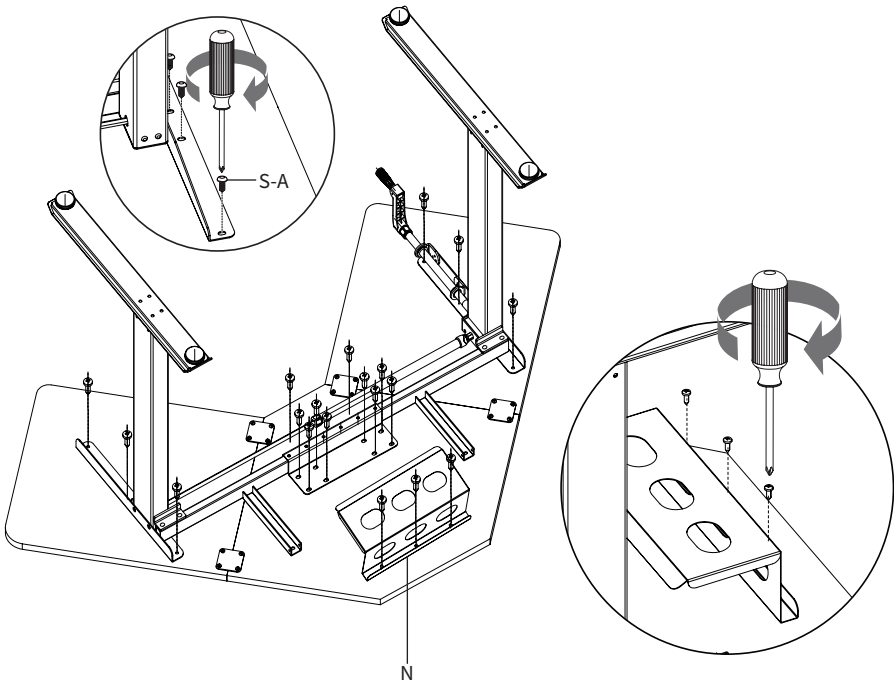
STEP 7

Insert Crank Handle (**M**) into Right Leg (**F**) then mount Crank Handle (**M**) to Right Side Bracket (**H**) using M6x8 Screws (**S-B**) and 4mm Allen Wrench (**T-B**). Insert Anti-Vibration Pads (**S-G**) into Left Side Bracket (**G**), Right Side Bracket (**H**) and Support Bar Connector (**I**).



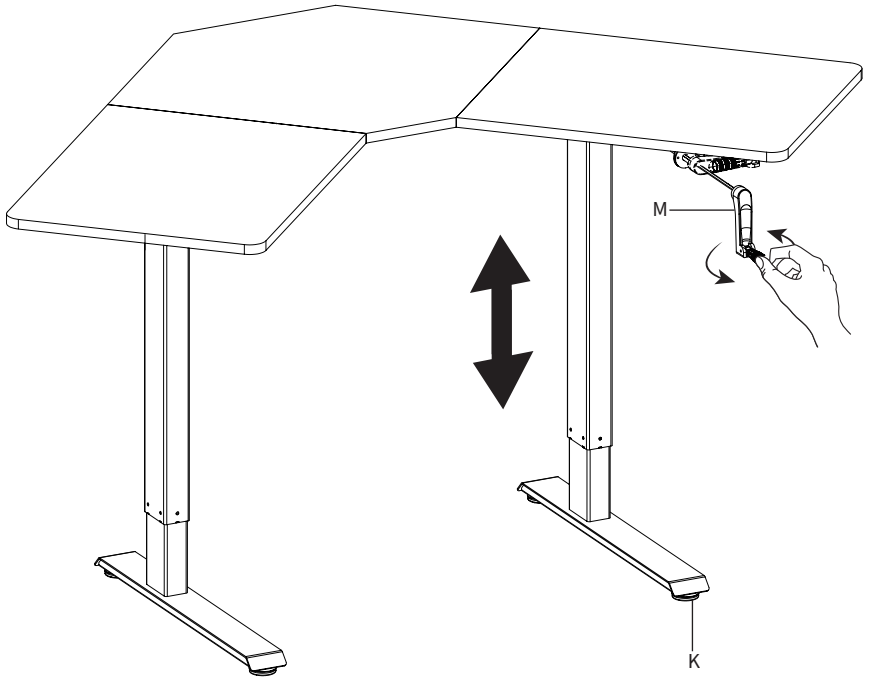
STEP 8

Mount desk frame assembly and Cable Tray (**N**) to predrilled holes in the desktop assembly using M5x16 Screws (**S-A**) and a Phillips screwdriver.



STEP 9

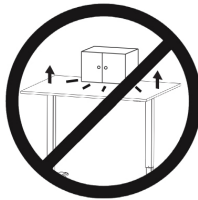
Carefully turn the desk right side up and adjust the height using Crank Handle (M). If necessary, adjust foot pads (K) to level the desk.



CAUTION!



Do not exceed desk weight limit.



Keep area of vertical motion free of obstacles.



Keep weight on desk balanced for correct operation and longer life of components.



Leave enough slack in cables to allow for full range of vertical motion.

Failure to follow these instructions may result in property damage and/or personal injury.



Open **Monday - Friday 7:00am - 7:00pm** CST,
our dedicated support team can offer immediate assistance with rapid response times. If any parts are received damaged or defective, please contact us. We are happy to replace parts to ensure you have a fully functioning product.



309-278-5303

AVG. RESOLUTION TIME (*within office hrs*): **5M 4S**



www.vivo-us.com
Chat live with an agent!

AVG. RESOLUTION TIME (*within office hrs*): **< 15 M**



help@vivo-us.com

AVG. RESPONSE TIME (*within office hrs*): **1HR 8M**

- 23% within < 15m
- 38% within < 30m
- 61% within < 1hr
- 83% within < 2hr
- 92% within < 3hr