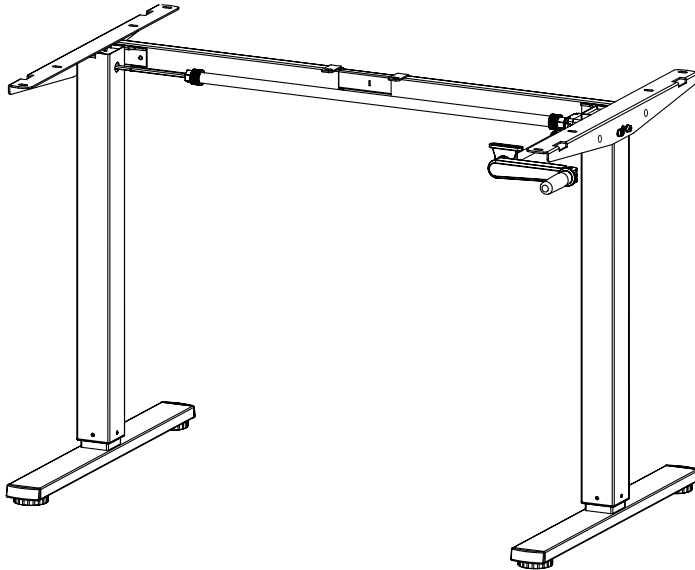


Compact Crank Height Adjustable Desk Frame
SKU: DESK-M051MB/MW

Instruction Manual



ASSEMBLY VIDEO AVAILABLE:

Follow along step-by-step with our video walk through by scanning the QR code with your mobile device or by following the product link: [vivo-us.com/products/desk-m051mb](https://www.vivo-us.com/products/desk-m051mb)

Contact Us First!

DO NOT RETURN ITEM

Our friendly product support team is here to help!



PERSONABLE CUSTOMER SUPPORT

7AM - 7PM

Monday-Friday



Give us a Call:
309-278-5303



Chat Us:
www.vivo-us.com



Email Us:
help@vivo-us.com

We're Here for You!

Our customer-minded support team is here for YOU,

Monday-Friday 7am-7pm CST.

We offer immediate assistance with rapid response times from customer service agents and product technicians to help you every step of the way!



Missing a Part?

If any parts are received damaged / defective OR you are missing a part, please reach out to us ***within 30 days of product delivery to have it replaced at no cost.***

We are happy to replace parts to ensure you have a fully functioning product

PRE-ASSEMBLY | BEFORE YOU BEGIN



If you do not understand these directions, or if you have any doubts about the safety of the installation, please call a qualified technician. Check carefully to make sure there are no missing or defective parts. Improper installation may cause damage or serious injury. Do not use this product for any purpose that is not explicitly specified in this manual. Do not exceed weight capacity. We cannot be liable for damage or injury caused by improper mounting, incorrect assembly or inappropriate use.

WARNING: CHOKING HAZARD

SMALL PARTS - NOT FOR CHILDREN UNDER 3 YEARS. ADULT SUPERVISION IS REQUIRED.

WEIGHT CAPACITY

DO NOT EXCEED WEIGHT CAPACITY. Failure to do so may result in serious injury.



154lbs
(70kg)



Product Warranty

For the most up to date details on your product's warranty, please visit the product's listing on our website or reach out to customer support. vivo-us.com/products/desk-m051mb



Returns | Product Didn't Work Out?

We offer a hassle-free 30 day return on all products. Contact customer support at 309-278-5303 or help@vivo-us.com. Please note: For items ordered in error or no longer needed, the return shipping charges will be at the buyer's expense.

TOOLS NEEDED:



Phillips Screwdriver



Drill



Level

DIFFICULTY LEVEL



PACKAGE CONTENTS

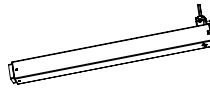
Please consult the parts list below and ensure you have everything you need to assemble your product. If parts are missing or damaged, please contact us.



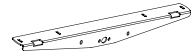
A (x1)
Telescopic
Crossbar



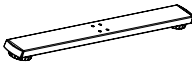
B (x1)
Leg



C (x1)
Leg with
Gearbox



D (x2)
Side Bracket



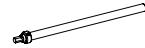
E (x2)
Foot



F (x1)
Sync Rod



G (x1)
Crank Handle



H (x1)
Crank Handle Sync
Rod



I (x1)
Crank Handle Sync
Rod Extension



S-A (x4)
M6x25mm
Screw



S-B (x4)
M6x10mm
Screw



S-C (x8)
M6x35mm
Screw



S-D (x2)
ST4.2x16mm
Rounded Head
Screw



S-E (x10)
ST4.2x15mm
Screw



T-A (x1)
2.5mm Allen
Wrench



T-B (x1)
4mm Allen
Wrench



T-C (x1)
5mm Allen
Wrench



T-D (x1)
Wrench

NOTE: SOME HARDWARE INCLUDED MAY NOT BE USED



WARNING

PINCH POINT

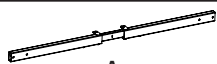
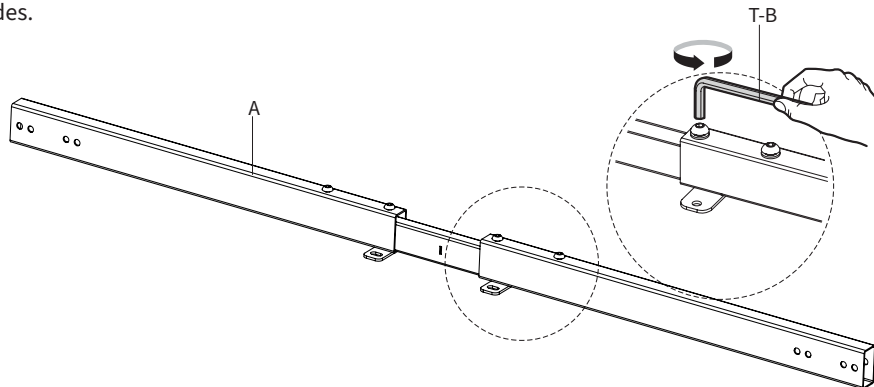
DO NOT place hands on or near support bars. Moving parts can crush and cut. Pinch points are created during lifting and lowering the worksurface. Failure to follow these instructions may result in serious personal injury.



ASSEMBLY STEPS

STEP 1: Extend the Crossbar

Loosen the screws on Telescopic Crossbar **(A)** using 4mm Allen Wrench **(T-B)** and extend the sides.



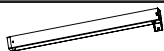
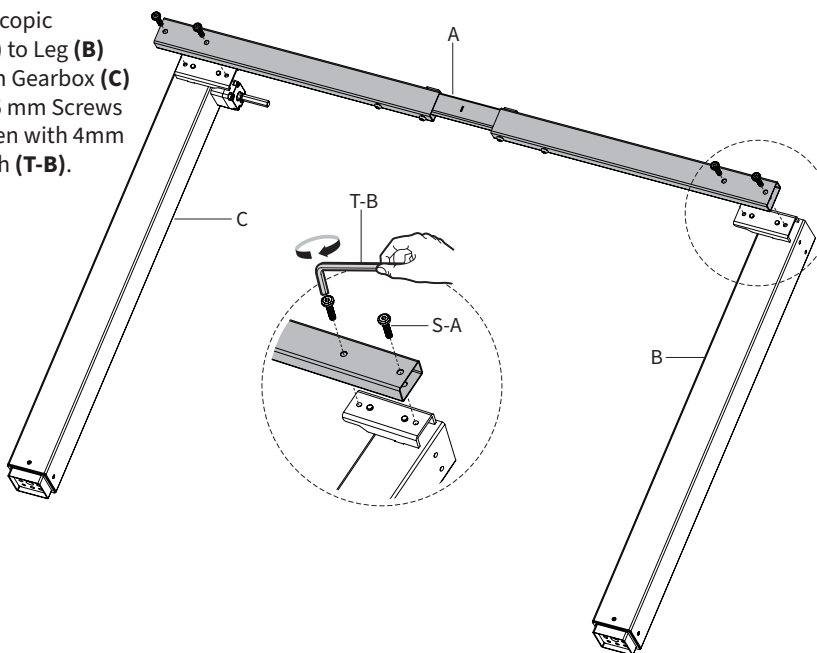
A
Telescopic
Crossbar



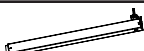
T-B
4mm Allen
Wrench

STEP 2: Install the Crossbar to Legs

Attach Telescopic Crossbar **(A)** to Leg **(B)** and Leg with Gearbox **(C)** using M6x25 mm Screws **(S-A)**. Tighten with 4mm Allen Wrench **(T-B)**.



B (x2)
Leg



C
Leg with
Gearbox



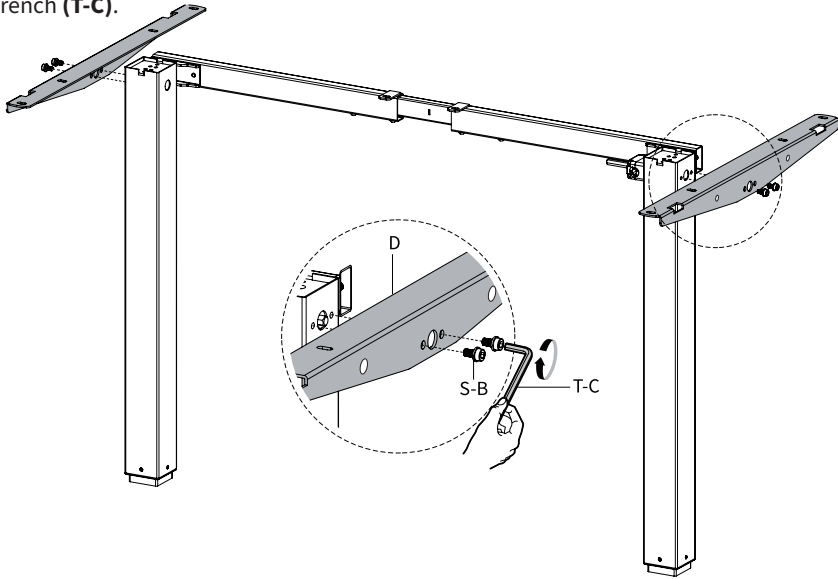
S-A
M6x25mm Screw



T-B
4mm Allen
Wrench

STEP 3: Mount Side Brackets

Assemble Side Brackets (**D**) to the frame assembly using M6x10mm Screws (**S-B**) and 5mm Allen Wrench (**T-C**).



D
Side Bracket



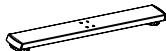
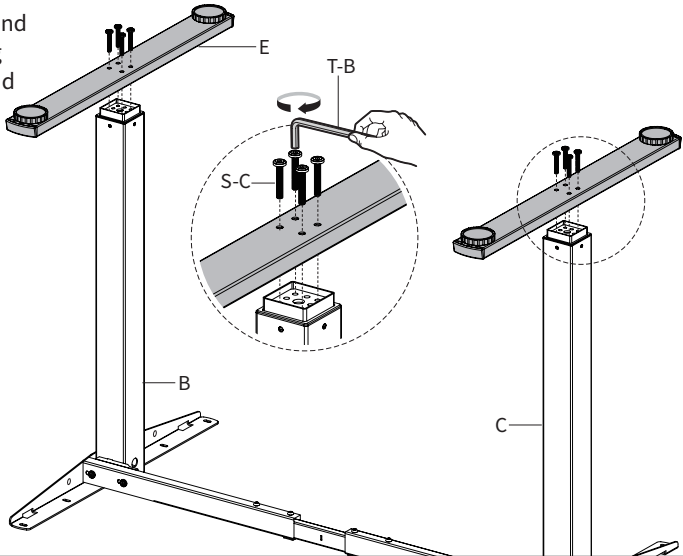
S-B
M6x10mm Screw



T-C
5mm Allen Wrench

STEP 4: Assemble Feet

Mount Feet (**E**) to Leg (**B**) and Leg with Gearbox (**C**) using M6x35mm Screws (**S-C**) and 4mm Allen Wrench (**T-B**).



E
Foot



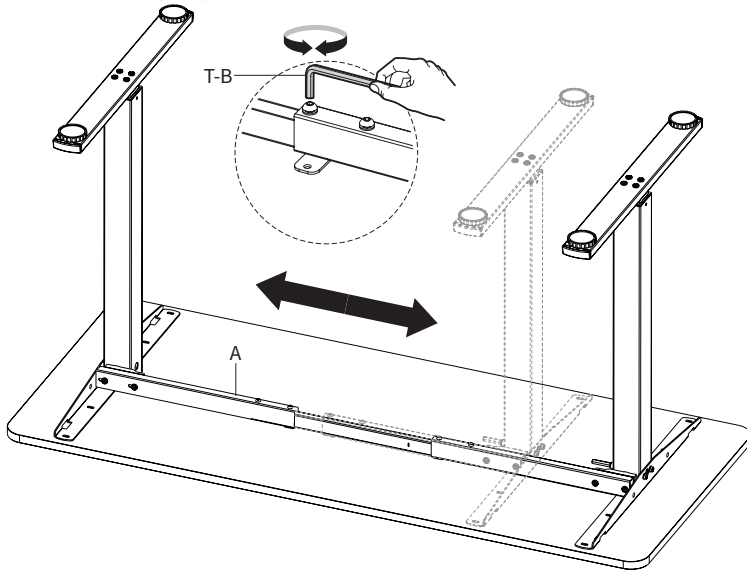
S-C
M6x35mm Screw



T-B
4mm Allen Wrench

STEP 5: Adjust Frame Length

Extend Telescopic Crossbar (A) to fit the desktop. Retighten the screws on Telescopic Crossbar (A) using 4mm Allen Wrench (T-B).

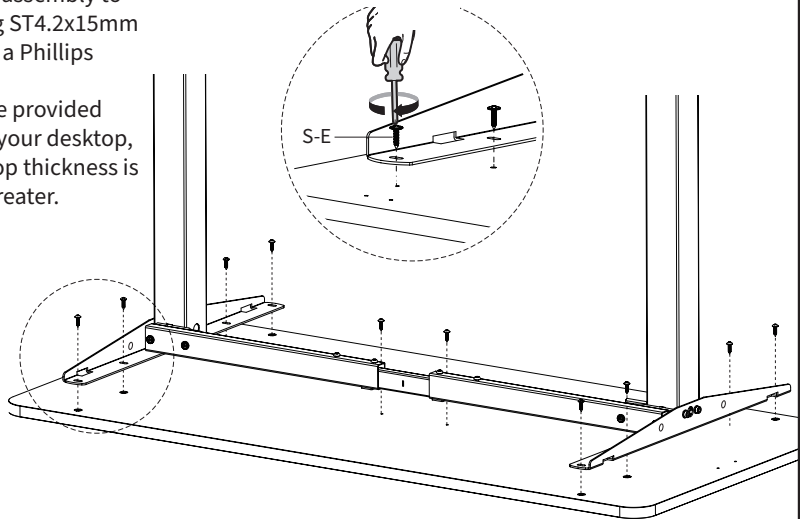


T-B
4mm Allen
Wrench

STEP 6: Attach Desktop

Secure the frame assembly to the desktop using ST4.2x15mm Screws (S-E) and a Phillips screwdriver.

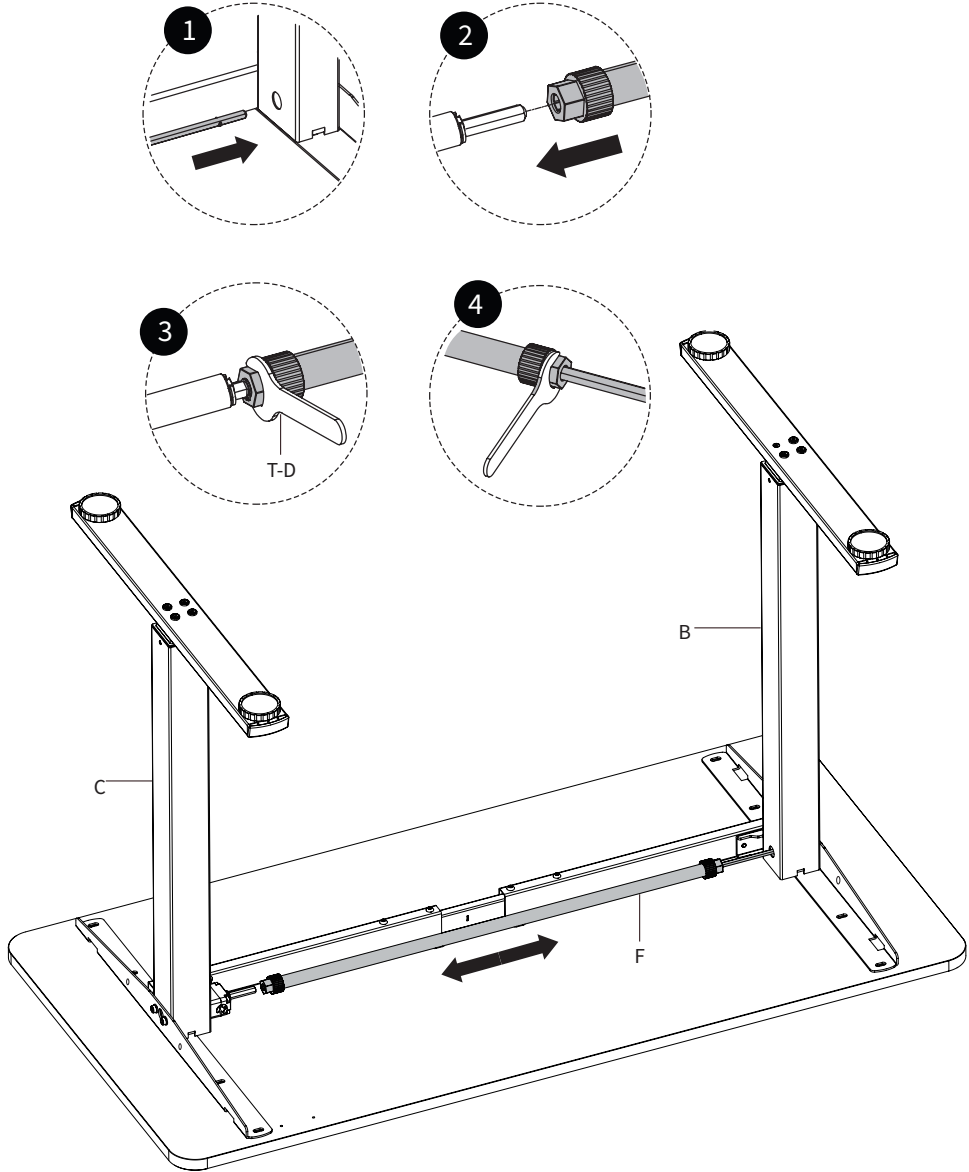
NOTE: If using the provided screws to secure your desktop, ensure the desktop thickness is 3/4" (19mm) or greater.



S-E
ST4.2x15mm Screw

STEP 7: Install the Sync Rod

Loosen the knob on Sync Rod (F) and insert the rod into Leg (B). Extend Sync Rod (F) onto Leg With Gearbox (C). Tighten both knobs on Sync Rod (F) using Wrench (T-D).



F
Sync Rod

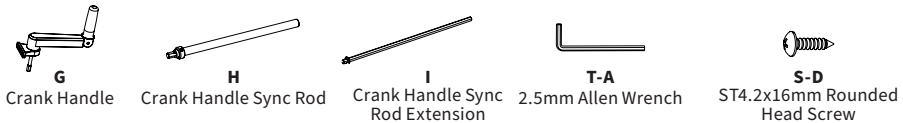
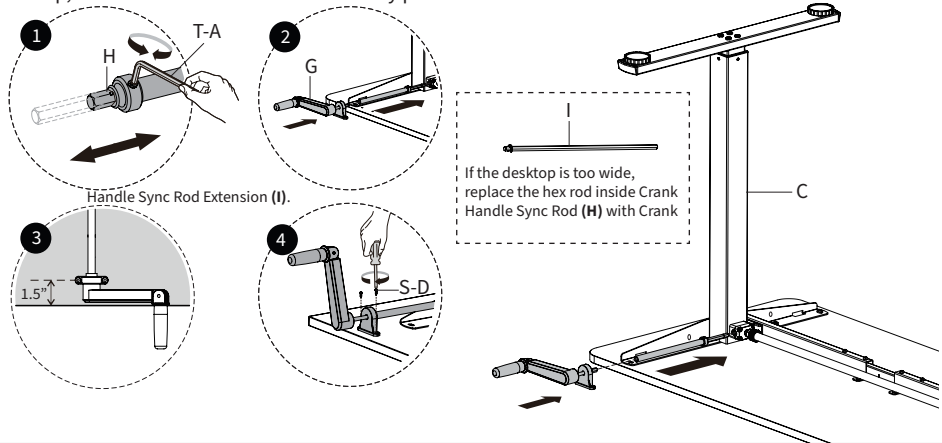


T-D
Wrench

STEP 8: Mount the Crank

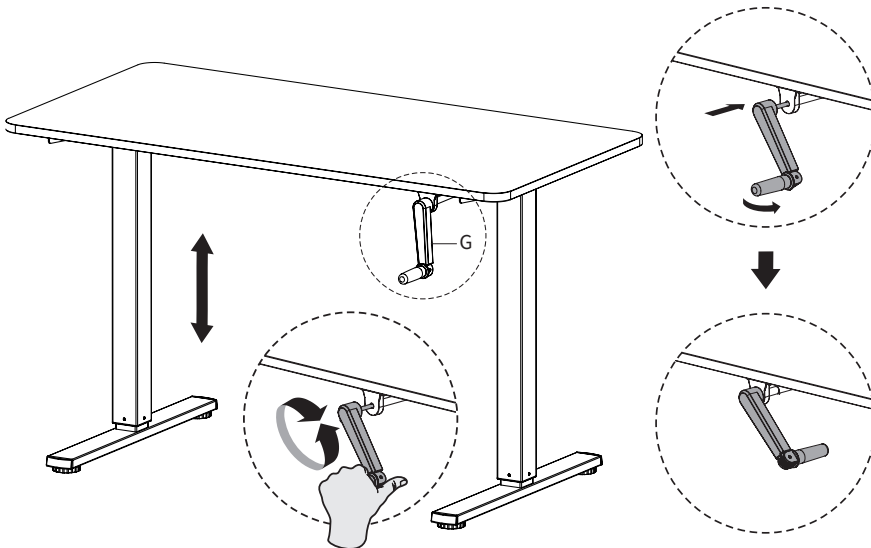
Loosen the set screw on Crank Handle Sync Rod (**H**) using 2.5mm Allen Wrench (**T-A**) to extend the rod into Leg With Gearbox (**C**). Assemble Crank Handle (**G**) to Crank Handle Sync Rod (**H**) making sure Crank Handle Sync Rod (**H**) sits inside of the recess on the plastic mounting bracket on Crank Handle (**G**). Retighten the set screw on Crank Handle Sync Rod (**H**). Secure Crank Handle (**G**) to the desktop using ST4.2x16mm Rounded Head Screw (**S-D**) and a Phillips screwdriver.

NOTE: Leave at least 1.5" (40mm) of space from the mounting holes on Crank Handle (**G**) to the edge of the desktop, which will allow the crank to be fully pushed in.



STEP 9: Adjusting the Height

Turn Crank Handle (**G**) counter clockwise to raise the desk, and clockwise to lower. Slide Crank Handle (**G**) in and flip the handle around to store it when not in use.

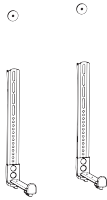


CHECK OUT OTHER GREAT PRODUCTS FROM



EXPLORE MORE AT [VIVO-US.COM](https://www.vivo-us.com)

We offer a wide array of home & office products to fit your needs. From height adjustable desks to monitor mounts to keyboard trays and more!



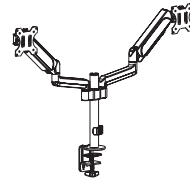
SPEAKER MOUNTS & STANDS

Whether you're mounting a soundbar or surround sound system, we've got a mounting solution to fit your needs



CABLE MANAGEMENT

From single monitor mounts to hex mount, grommet or clamp-ons, we've got a mounting solution for your setup.



MONITOR MOUNTS

From single monitor mounts to hex mount, grommet or clamp-ons, we've got a mounting solution for your setup.



WHO WE ARE



VIVO is more than a brand of ergonomic office furniture. We are a team of creative and innovative individuals working together to offer high quality, affordable ergonomic solutions. We think and work outside of the box to serve you, our customer, to the best of our ability.



Need Assistance?

We Would Love to Help!



Personable Customer Support | Mon-Fri 7am-7pm

We offer immediate assistance with rapid response times from customer service agents and product technicians to help you every step of the way!



Call Us: **309-278-5303**

Average Resolution Time: **5m 4s**



Chat Us: **www.vivo-us.com**

Average Resolution Time: **< 15m**



Email Us: **help@vivo-us.com**

Average Resolution Time: **1HR 8M**

23% within < 15m

38% within < 30m

61% within < 1hr

83% within < 2hr

92% within < 3hr



LOVE YOUR NEW VIVO SETUP?

Ready to share that new amazing setup? Want to brag about that amazing new ergonomic solution?

Tag us in your photo!



VIVO-us @vivo_us

FOR MORE GREAT VIVO PRODUCTS,
CHECK OUT OUR WEBSITE AT: WWW.VIVO-US.COM