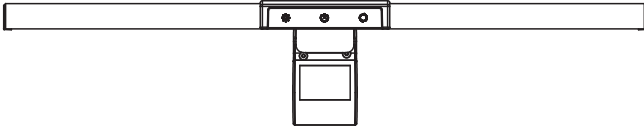


---

## Bar Light for LED Screen

### Instruction Manual



**SKU: DESK-LTSB1**



Scan the QR code with your mobile device or follow the link for helpful videos and specifications related to this product.

<https://vivo-us.com/products/desk-ltsb1>

---

GET IN TOUCH | Monday-Friday from 7:00am-7:00pm CST



help@vivo-us.com



www.vivo-us.com  
*Chat live with an agent!*



309-278-5303

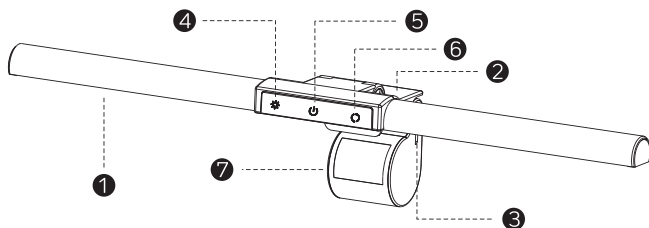
# **WARNING!**

If you do not understand these directions, or if you have any doubts about the safety of the installation, please call a qualified technician. Check carefully to make sure there are no missing or defective parts. Improper installation may cause damage or serious injury. Do not use this product for any purpose that is not explicitly specified in this manual and do not exceed weight capacity. We cannot be liable for damage or injury caused by improper mounting, incorrect assembly, or inappropriate use.

## **WARNING: CHOKING HAZARD**

SMALL PARTS - NOT FOR CHILDREN UNDER 3 YEARS. ADULT SUPERVISION IS REQUIRED.

## **PACKAGE CONTENTS**



**1** (x1)

Lamp Shade

**2** (x1)

Lamp Bracket

**3** (x1)

USB Charging Port

**4** (x1)

Dimmer

**5** (x1)

Power

**6** (x1)

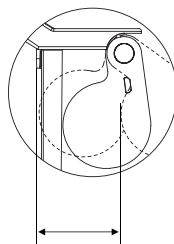
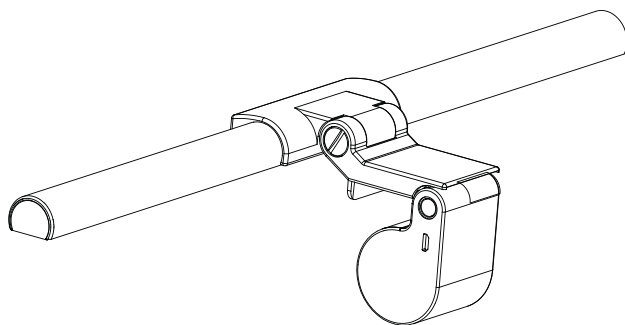
CCT (Color Temperature)

**7** (x1)

Base

**8** (x1)

USB Charging Cable



1.77"/45mm

# REMOTE CONTROL OPERATING INSTRUCTIONS

## STEP 1

Pull back on the base/clip and attach the lamp to the top edge of the monitor.

## STEP 2

Plug the USB charging cable into the lamp, then connect to a computer USB port or USB wall charger to charge the battery. Please note, the power output of the USB port or charger must be at least 1A.

## STEP 3

### OPERATION

**POWER:** Touch the Power icon in the center to turn the lamp on or off.

**DIMMER:** Touch the dimmer icon on the left to change the brightness of the lamp to 5 different settings.


**CCT:** Touch the CCT icon on the right to change the color temperature to 5 different settings for a cooler or warmer appearance.

**MEMORY:** When powered off, the current DIMMER and CCT settings will be saved. When powered back on, the lamp will start at the saved settings.

### CARE

Clean the lamp only with a dry cloth. To avoid damage to electrical components, do not expose to water or liquid cleaners.

MODEL	DESK-LTSB1
Operate Voltage	DC 5V / 1A
Power	5W
Color Temperature	3000K - 6500K
Center Luminous Flux	$\geq 800\text{Lux}$ @300mm
Color Rendering Index	$> 80$
Lifespan	25000 hours
Material	ABS plastic, aluminum alloy

 Love your new VIVO setup and want to share?  
Tag us in your photo! [@vivo\\_us](#)

LAST UPDATED: 09/16/2020



Open **Monday - Friday 7:00am - 7:00pm** CST,  
our dedicated support team can offer immediate assistance with rapid response times. If any parts are received damaged or defective, please contact us. We are happy to replace parts to ensure you have a fully functioning product.


 [help@vivo-us.com](mailto:help@vivo-us.com)

**AVG. RESPONSE TIME** (*within office hrs*): **1HR 8M**

- 23% within < 15m
- 38% within < 30m
- 61% within < 1hr
- 83% within < 2hr
- 92% within < 3hr

 [www.vivo-us.com](http://www.vivo-us.com)  
*Chat live with an agent!*

**AVG. RESOLUTION TIME** (*within office hrs*): **< 15 M**

 309-278-5303

**AVG. RESOLUTION TIME** (*within office hrs*): **5M 4S**

FOR MORE VIVO PRODUCTS, CHECK OUT OUR WEBSITE AT: [www.vivo-us.com](http://www.vivo-us.com)