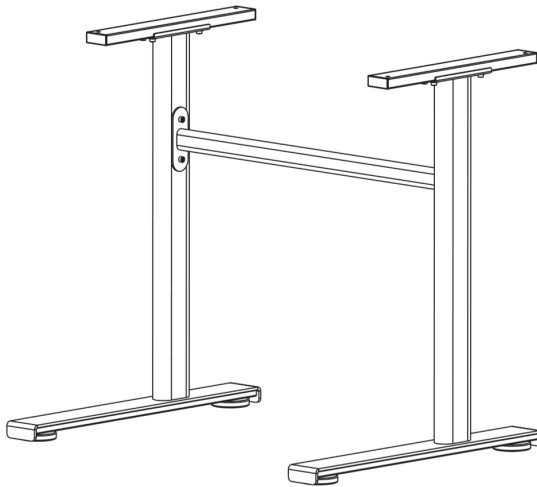


---

## 30.3" x 16" Desktop Monitor Riser Frame | Desk Legs

### Instruction Manual



**SKU: DESK-LEGS1K**



Scan the QR code with your mobile device or follow the link for helpful videos and specifications related to this product.

<https://vivo-us.com/products/desk-legs1k>



help@vivo-us.com



www.vivo-us.com

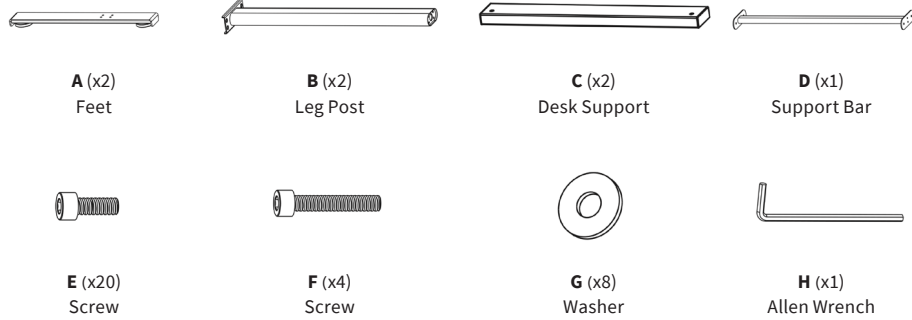


1-800-371-5654

## ⚠ WARNING!

If you do not understand these directions, or if you have any doubts about the safety of the installation, please call a qualified technician. Check carefully to make sure there are no missing or defective parts. Improper installation may cause damage or serious injury. Do not use this product for any purpose that is not explicitly specified in this manual and do not exceed weight capacity. We cannot be liable for damage or injury caused by improper mounting, incorrect assembly, or inappropriate use.

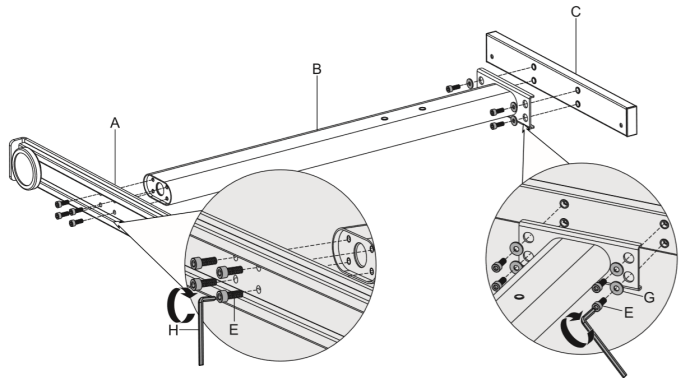
## PACKAGE CONTENTS



## ASSEMBLY STEPS

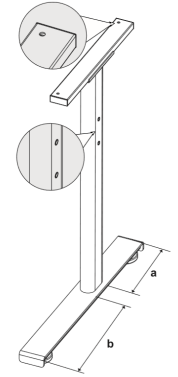
### STEP 1

Assemble feet (A) to leg posts (B) using 4 screws (E), and tighten with Allen wrench (H). Assemble desk supports (C) to legs using 4 screws (E) and washers (G), and tighten with Allen wrench (H).



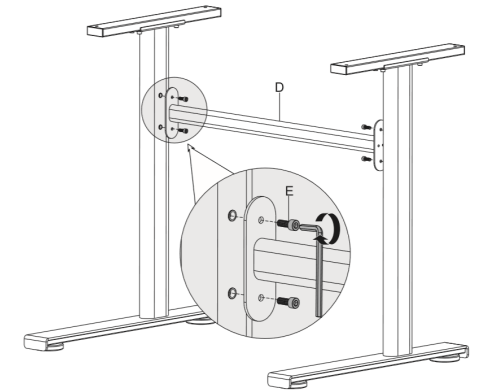
### STEP 1 (Continued)

When assembling parts, ensure the support bar mounting holes on the left leg are facing towards the right, and the holes on the right leg are facing towards the left. The desk mounting holes in the desk supports must be offset towards the left for the left leg, and offset towards the right for the right leg.



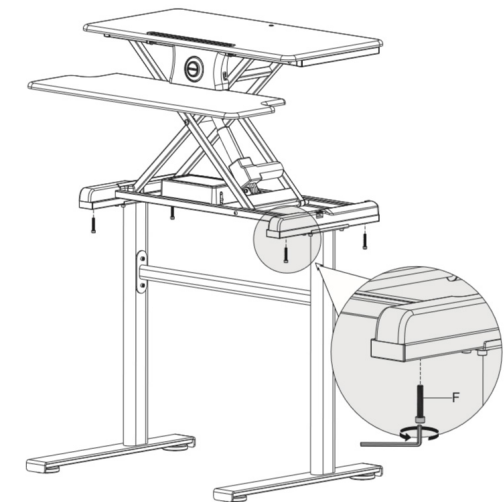
### STEP 2

Assemble support bar (D) to legs using screws (E) and tighten with Allen wrench (H).



### STEP 3

Place height adjustable desk on top of legs, making sure the desk is aligned and facing forward on the legs. Secure with long screws (F) and tighten with Allen wrench (H).



**Compatible VIVO Desk Risers:**  
DESK-V000K  
DESK-V001KE



Love your new VIVO setup and want to share?

Tag us in your photo! **@vivo\_us**

Last Updated: 9/23/2018



If any parts are received damaged or defective, please contact us. We are happy to replace parts to ensure you have a fully functioning product.



[help@vivo-us.com](mailto:help@vivo-us.com)



[www.vivo-us.com](http://www.vivo-us.com)



1-800-371-5654

For more VIVO products, check out our website at:  
[www.vivo-us.com](http://www.vivo-us.com).