



Black / Dark Wood Kids Kneeling Chair and Desk Instruction Manual



SKU: DESK-KN02D



Scan the QR code with your mobile device or follow the link for helpful videos and specifications related to this product.

<https://vivo-us.com/products/desk-kg02d>

GET IN TOUCH | Monday-Friday from 7:00am-7:00pm CST



help@vivo-us.com



www.vivo-us.com
Chat live with an agent!



309-278-5303

WARNING!

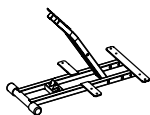
If you do not understand these directions, or if you have any doubts about the safety of the installation, please call a qualified technician. Check carefully to make sure there are no missing or defective parts. Improper installation may cause damage or serious injury. Use this product on a stable, level surface. Do not use this product for any purpose that is not explicitly specified in this manual. Do not exceed weight capacity. Do not stand on this product. We cannot be liable for damage or injury caused by improper mounting, incorrect assembly, or inappropriate use.

WARNING: CHOKING HAZARD

SMALL PARTS - NOT FOR CHILDREN UNDER 3 YEARS. ADULT SUPERVISION IS REQUIRED.

 **WARNING:** THIS PRODUCT CAN RESTRICT CIRCULATION TO LEGS WITH PROLONGED USE.

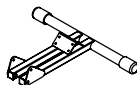
PACKAGE CONTENTS



A (x1)
Upper Frame



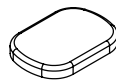
B (x1)
Adjustable Support



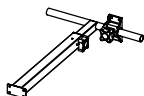
C (x1)
Lower Frame



D (x2)
Knee Pad



E (x1)
Seat Pad



F (x1)
Desk Support



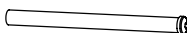
G (x1)
Desktop



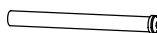
H (x2)
Desktop Tilt
Bracket



S-A (x1)
Short Sleeve
Nut



S-B (x1)
Long Sleeve
Nut



S-C (x1)
Medium Sleeve
Nut



S-D (x10)
M6x12
Screw



S-E (x6)
M6 Washer



S-F (x2)
M8x35
Screw



S-G (x2)
M8 Washer



S-H (x11)
M6x16
Screw



S-I (x8)
M5x14
Screw



T-A (x2)
5mm Allen
Wrench

DO NOT EXCEED WEIGHT CAPACITY.

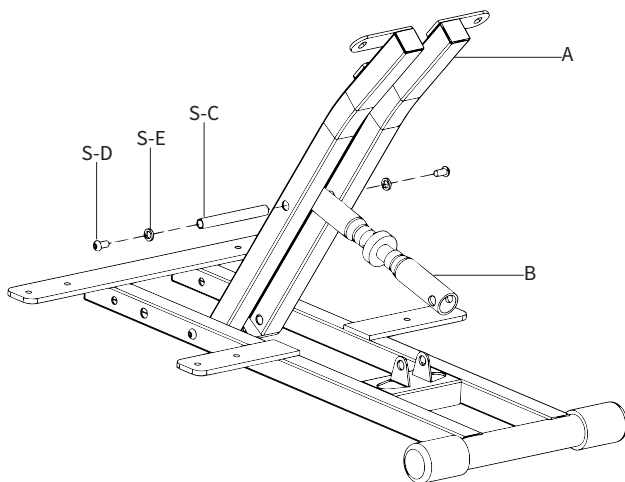
Failure to do so may result in serious injury.



ASSEMBLY STEPS

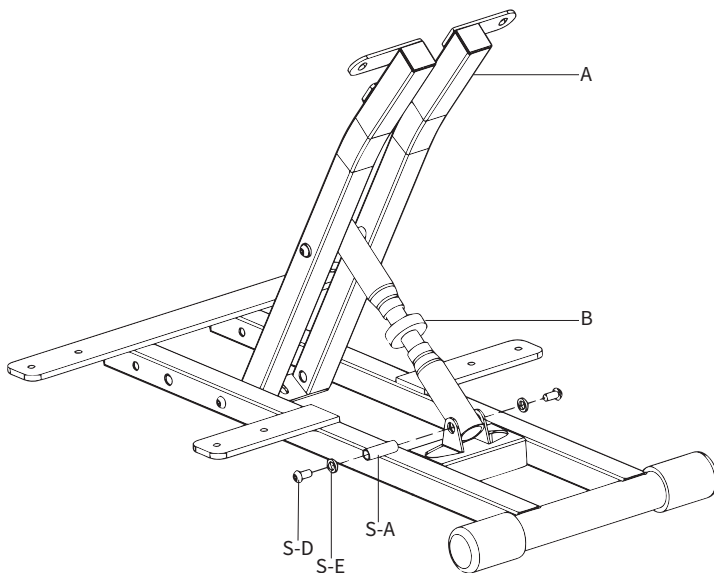
STEP 1

Assemble the Adjustable Support (**B**) to top of mounting hole of Upper Frame (**A**) using Medium Sleeve Nut (**S-C**) and M6x12 Screws (**S-D**) with M6 Washers (**S-E**). Tighten using 5mm Allen Wrench (**T-A**).



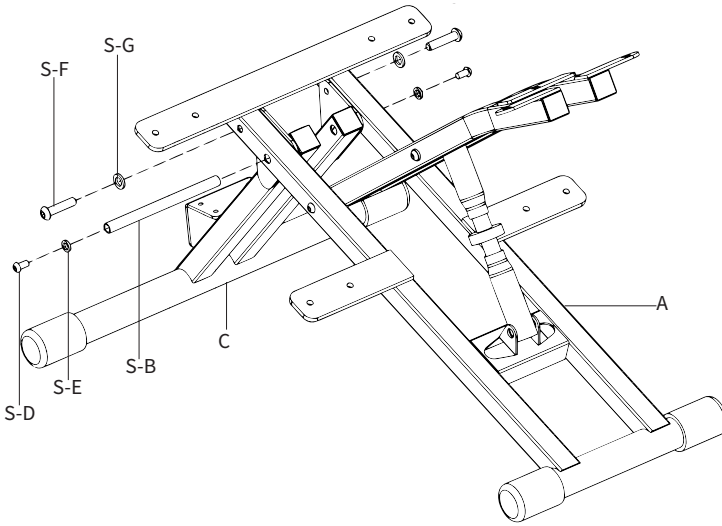
STEP 2

Mount the other side of the Adjustable Support (**B**) to the lower mounting hole of Upper Frame (**A**) using Short Sleeve Nut (**S-A**) and M6x12 Screws (**S-D**) with M6 Washers (**S-E**). Tighten using 5mm Allen Wrenches (**T-A**).



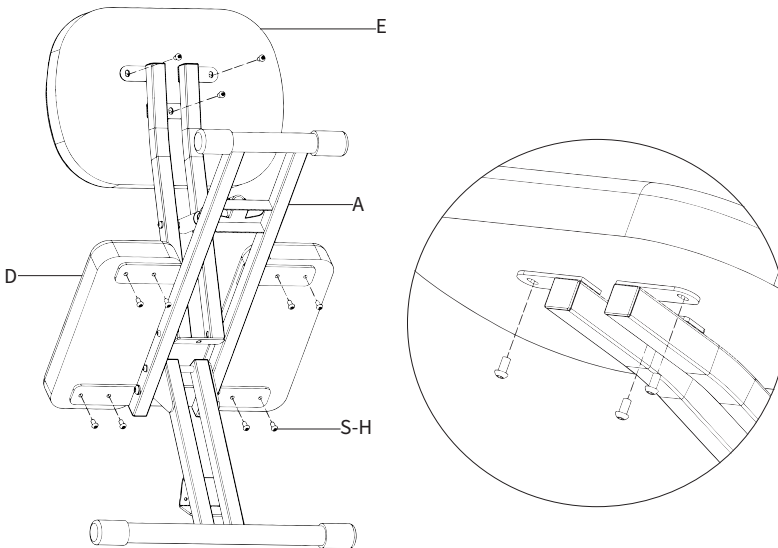
STEP 3

Assemble Lower Frame (C) into Upper Frame (A) using Long Sleeve Nut (S-B) and M6x12 Screws (S-D) with M6 Washers (S-E) in the rear mounting holes of Upper Frame (A). Insert M8x35 Screws (S-F) with M8 Washers (S-G) into front mounting holes of Upper Frame (A). Tighten using 5mm Allen Wrenches (T-A).



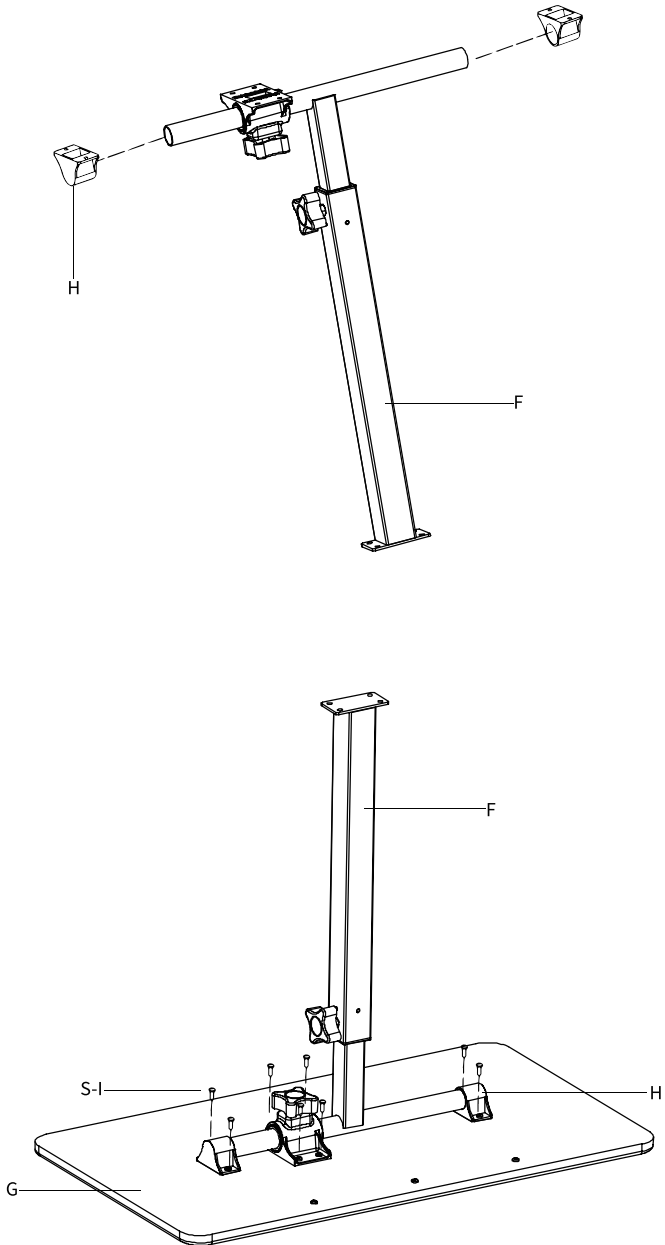
STEP 4

Attach Knee Pads (D) and Seat Pad (E) to Upper Frame (A) using M6x16 Screws (S-H) and tighten using Philips end of 5mm Allen Wrench (T-A).



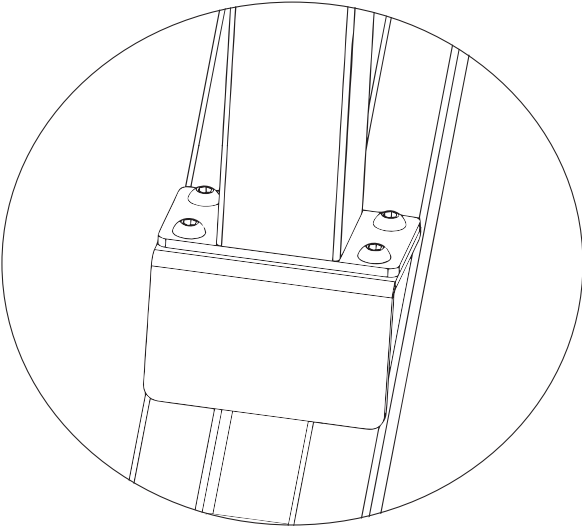
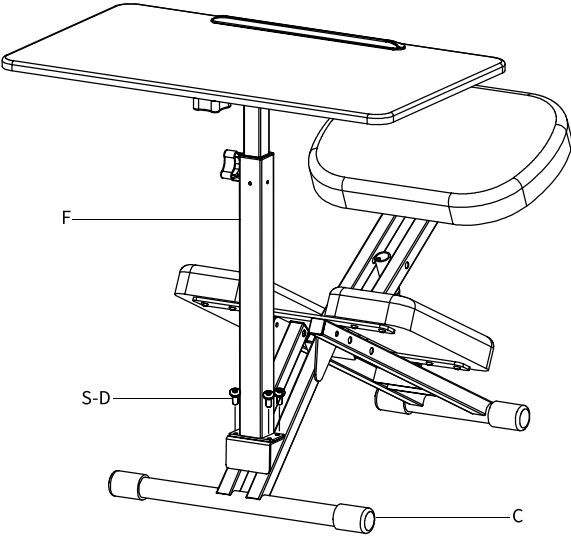
STEP 5

Slide Desktop Tilt Brackets (**H**) onto either end of Desk Support (**F**) and mount assembly to Desktop (**G**) using M5x14 Screws (**S-I**) and Philips end of 5mm Allen Wrench (**T-A**).



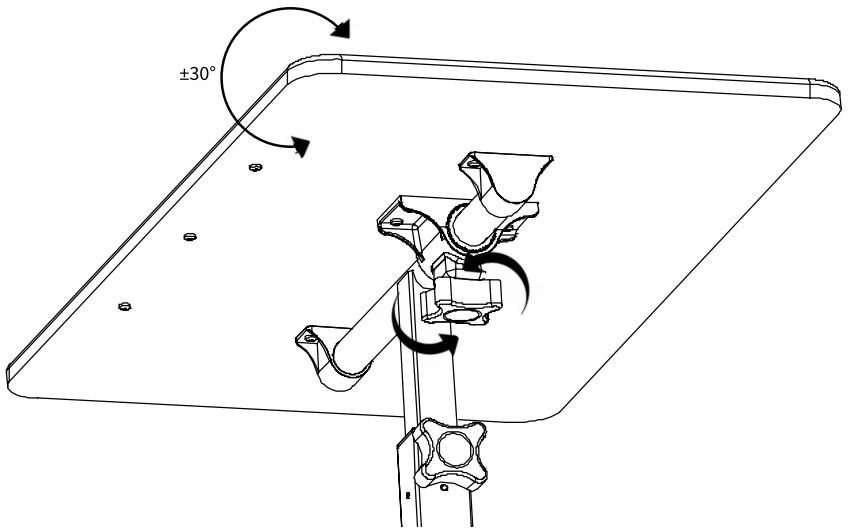
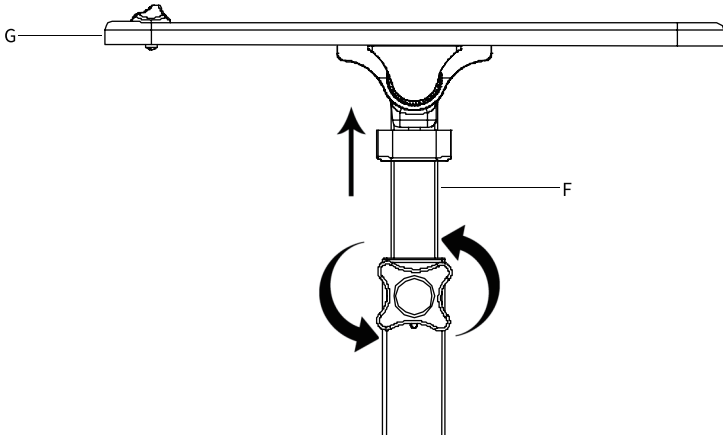
STEP 6

Mount Desk Support (**F**) to Lower Frame (**C**) using M6x12 Screws (**S-D**) and tighten using 5mm Allen Wrenches (**T-A**).



STEP 7

Loosen the knob located on the side of Desk Support (**F**) to adjust the height of Desktop (**G**) and loosen the knob located underneath Desk Support (**F**) to adjust the tilt. Set to desired position and retighten knobs.






Open **Monday - Friday 7:00am - 7:00pm** CST,
our dedicated support team can offer immediate assistance with rapid response times. If any parts are received damaged or defective, please contact us. We are happy to replace parts to ensure you have a fully functioning product.

 309-278-5303 **AVG. RESOLUTION TIME** (*within office hrs*): **5M 4S**

 www.vivo-us.com **AVG. RESOLUTION TIME** (*within office hrs*): **< 15 M**
Chat live with an agent!

 help@vivo-us.com **AVG. RESPONSE TIME** (*within office hrs*): **1HR 8M**
- 23% within < 15m
- 38% within < 30m
- 61% within < 1hr
- 83% within < 2hr
- 92% within < 3hr