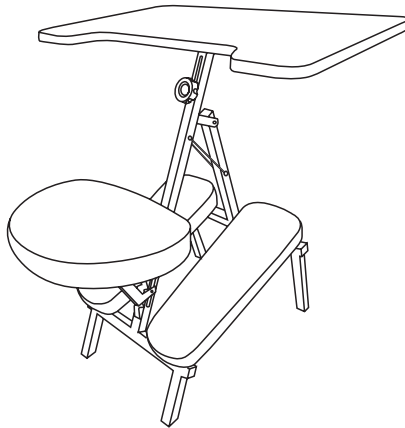




Gray / Light Wood Kneeling Chair and Desk

Instruction Manual



SKU: DESK-KN01C



Scan the QR code with your mobile device or follow the link for helpful videos and specifications related to this product.

<https://vivo-us.com/products/desk-kn01c>

GET IN TOUCH | Monday-Friday from 7:00am-7:00pm CST



help@vivo-us.com



www.vivo-us.com
Chat live with an agent!



309-278-5303

WARNING!

If you do not understand these directions, or if you have any doubts about the safety of the installation, please call a qualified technician. Check carefully to make sure there are no missing or defective parts. Improper installation may cause damage or serious injury. Use this product on a stable, level surface. Do not use this product for any purpose that is not explicitly specified in this manual. Do not exceed weight capacity. Do not stand on this product. We cannot be liable for damage or injury caused by improper mounting, incorrect assembly, or inappropriate use.

WARNING: CHOKING HAZARD

SMALL PARTS - NOT FOR CHILDREN UNDER 3 YEARS. ADULT SUPERVISION IS REQUIRED.

WARNING: THIS PRODUCT CAN RESTRICT CIRCULATION TO LEGS WITH PROLONGED USE.

PACKAGE CONTENTS



A (x4)
M6x16 Screw



B (x2)
M8x15



C (x1)
M8x20



D (x3)
D8 Washer



E (x1)
Support
Bracket



F (x1)
Desktop



G (x1)
Chair



H (x1)
Allen Wrench

DO NOT EXCEED WEIGHT CAPACITY.

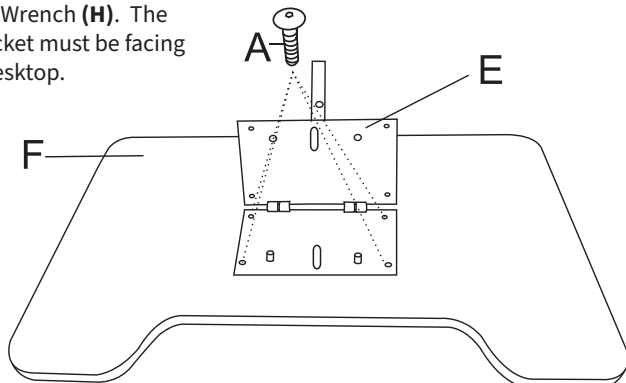
Failure to do so may result in serious injury.



ASSEMBLY STEPS

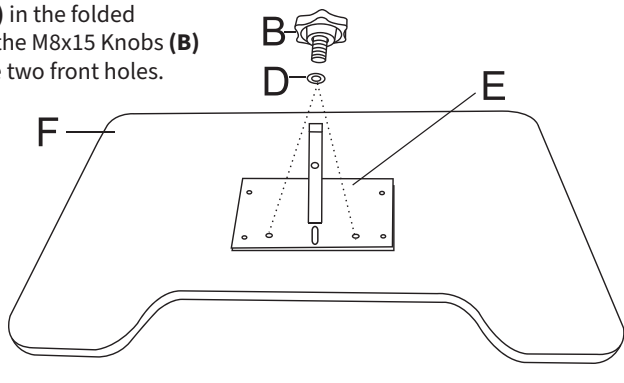
STEP 1

Mount the Support Bracket (**E**) to the underside of the Desktop (**F**) using the M6x16 Screws (**A**) and tighten with the Allen Wrench (**H**). The hinges of the Support Bracket must be facing towards the back of the Desktop.



STEP 2

With the Support Bracket **(E)** in the folded position, insert and tighten the M8x15 Knobs **(B)** with D8 Washers **(D)** into the two front holes.

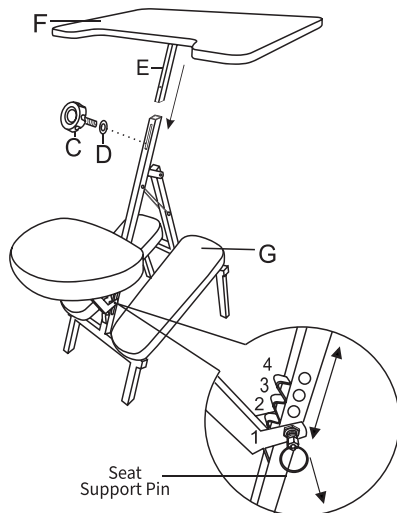


STEP 3

Unfold the Chair **(G)** and place upright on the floor. Pull out on the pin on the seat pad support post, place the post on one of the four ratchet positions, then release the pin. Insert the Support Bracket **(E)** with Desktop **(F)** into the upper post of the Chair, and secure using the M8x20 Knob **(C)** with D8 Washer **(D)**.

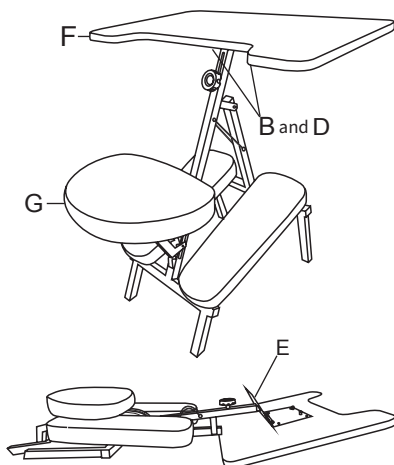
Adjust the seat angle by pulling out on the pin in the lower support post. While holding the pin out, adjust the support post to one of four positions as shown, and then release the pin to secure.

To adjust the Desktop height, loosen the M8x20 Knob **(C)**, slide up or down to the desired position, and then retighten the Knob.



STEP 4

To fold the desk, pull out on the seat pad support pin, pull the post and seat back and down, and release the pin. Lift up the knee pads and fold the frame of the Chair **(G)**, then remove the M8x15 Knobs **(B)** with Washers **(D)** from the Support Bracket **(E)** and lift the Desktop **(F)** into the flat position. The Knobs with Washers may be screwed back into the Support Bracket **(B)** for storage.





Open **Monday - Friday 7:00am - 7:00pm** CST,
our dedicated support team can offer immediate assistance with rapid response times. If any parts are received damaged or defective, please contact us. We are happy to replace parts to ensure you have a fully functioning product.

 309-278-5303 **AVG. RESOLUTION TIME** (*within office hrs*): **5M 4S**

 www.vivo-us.com **AVG. RESOLUTION TIME** (*within office hrs*): **< 15 M**
Chat live with an agent!

 help@vivo-us.com **AVG. RESPONSE TIME** (*within office hrs*): **1HR 8M**
- 23% within < 15m
- 38% within < 30m
- 61% within < 1hr
- 83% within < 2hr
- 92% within < 3hr