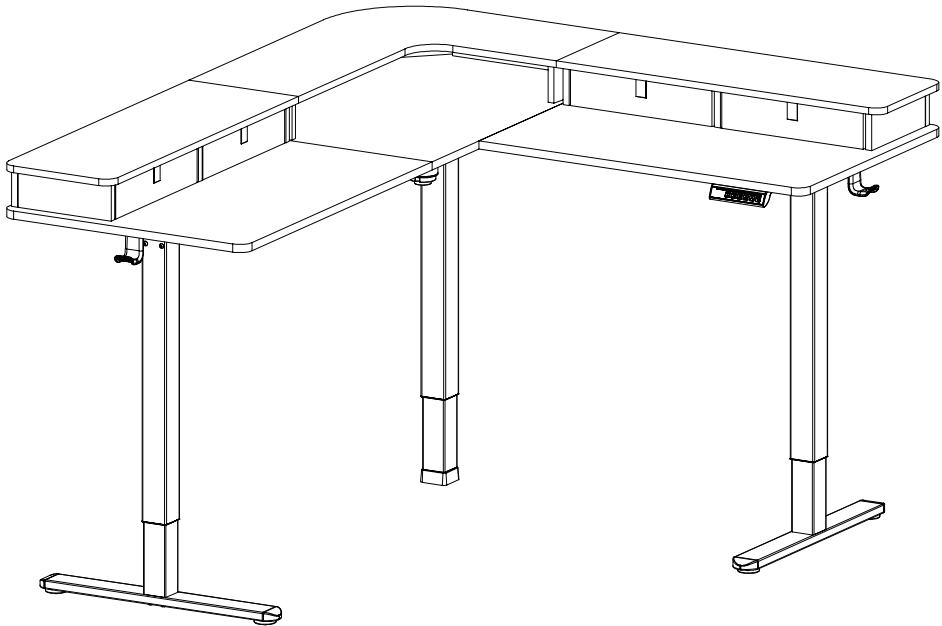




2 Tier 63" x 55" Corner Electric Desk with Storage
SKU: DESK-E3CVB/C/D/N/W

Instruction Manual



ASSEMBLY VIDEO AVAILABLE:

Follow along step-by-step with our video walk through by scanning the QR code with your mobile device or by following the product link: [vivo-us.com/products/desk-e3cvb](https://www.vivo-us.com/products/desk-e3cvb)

Contact Us First!

DO NOT RETURN ITEM

Our friendly product support team is here to help!



PERSONABLE CUSTOMER SUPPORT

7AM - 7PM

Monday-Friday



Give us a Call:
309-278-5303



Chat Us:
www.vivo-us.com



Email Us:
help@vivo-us.com

We're Here for You!

Our customer-minded support team is here for YOU,

Monday-Friday 7am-7pm CST.

We offer immediate assistance with rapid response times from customer service agents and product technicians to help you every step of the way!



Missing a Part?

If any parts are received damaged / defective OR you are missing a part, please reach out to us ***within 30 days of product delivery to have it replaced at no cost.***

We are happy to replace parts to ensure you have a fully functioning product

PRE-ASSEMBLY | BEFORE YOU BEGIN



If you do not understand these directions, or if you have any doubts about the safety of the installation, please call a qualified technician. Check carefully to make sure there are no missing or defective parts. Improper installation may cause damage or serious injury. Do not use this product for any purpose that is not explicitly specified in this manual. Do not exceed weight capacity. We cannot be liable for damage or injury caused by improper mounting, incorrect assembly or inappropriate use.

WARNING: CHOKING HAZARD

SMALL PARTS - NOT FOR CHILDREN UNDER 3 YEARS. ADULT SUPERVISION IS REQUIRED.

ELECTRICAL WARNING :

THIS PRODUCT IS POWERED BY ELECTRICITY. IN ORDER TO AVOID BURNS, FIRE AND ELECTRIC SHOCK, PLEASE READ THE FOLLOWING INSTRUCTIONS CAREFULLY.

- DO NOT CLEAN PRODUCT WHILE POWER IS CONNECTED.
- DO NOT DISASSEMBLE OR REPLACE COMPONENTS WHILE POWER IS CONNECTED.
- NEVER OPERATE THE SYSTEM WITH A DAMAGED CORD OR PLUG. PLEASE CONTACT YOUR SELLER TO REPLACE DAMAGED PARTS.
- NEVER OPERATE SYSTEM IN DAMP ENVIRONMENTS OR IF ANY ELECTRICAL COMPONENTS HAVE MADE CONTACT WITH LIQUIDS.
- ALTERATIONS OF THE GIVEN POWER UNIT ARE NOT ALLOWED.
- OUTDOOR USE IS PROHIBITED.

WEIGHT CAPACITY

DO NOT EXCEED WEIGHT CAPACITY. Failure to do so may result in serious injury.



176lbs
(80kg)



Product Warranty

For the most up to date details on your product's warranty, please visit the product's listing on our website or reach out to customer support. vivo-us.com/products/desk-e3cvb



Returns | Product Didn't Work Out?

We offer a hassle-free 30 day return on all products. Contact customer support at 309-278-5303 or help@vivo-us.com. Please note: For items ordered in error or no longer needed, the return shipping charges will be at the buyer's expense.

TOOLS NEEDED:



Phillips Screwdriver



Level

DIFFICULTY LEVEL



PACKAGE CONTENTS



1 (x1)
Corner Panel



2 (x1)
Right Panel



3 (x1)
Left Panel



4 (x1)
Corner Shelf Panel



5 (x1)
Left Shelf Panel



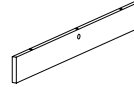
6 (x1)
Right Shelf Panel



7 (x8)
Shelf Divider



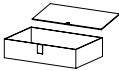
8 (x1)
Short Corner Shelf Panel



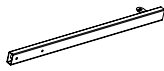
9 (x1)
Long Corner Shelf Panel



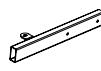
10 (x2)
Rear Shelf Panel



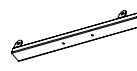
11 (x4)
Drawer



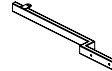
12 (x1)
Left Crossbar



13 (x1)
Short Left Crossbar



14 (x1)
Right Crossbar



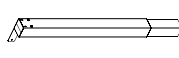
15 (x1)
Angled Right Crossbar



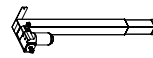
16 (x2)
Sync Rod



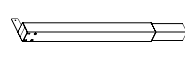
17 (x2)
Side Brackets



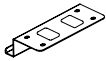
18 (x1)
Right Leg



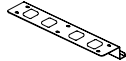
19 (x1)
Motorized Leg



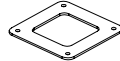
20 (x1)
Left Leg



21 (x1)
Short Connector Bracket



22 (x1)
Long Connector Bracket



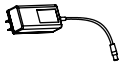
23 (x4)
Desktop Connector



24 (x2)
Foot



25 (x1)
Control Panel



26 (x1)
AC Adapter



27 (x1)
Extension Cable



28 (x25)
Anti-Vibration Pads



29 (x4)
Cable Clips



30 (x2)
Hook



31 (x5)
Locking Caster



S-B (x22)
M6x8mm Screw



S-B (x9)
M6x35mm Screw



S-C (x47)
M5x16mm Screw



S-D (x26)
M4.2x35mm Screw



S-E (x20)
Cam Lock Screw



S-F (x20)
Cam Lock Nut



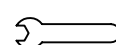
S-G (x22)
Wooden Dowel



T-A (x1)
2mm Allen Wrench



T-B (x1)
5mm Allen Wrench

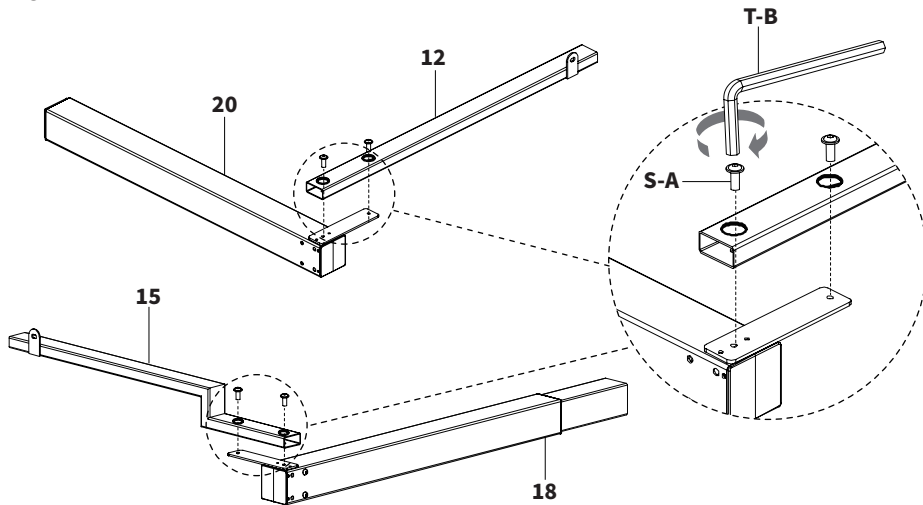


T-C (x1)
Wrench

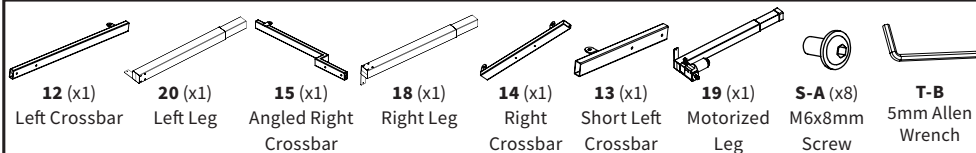
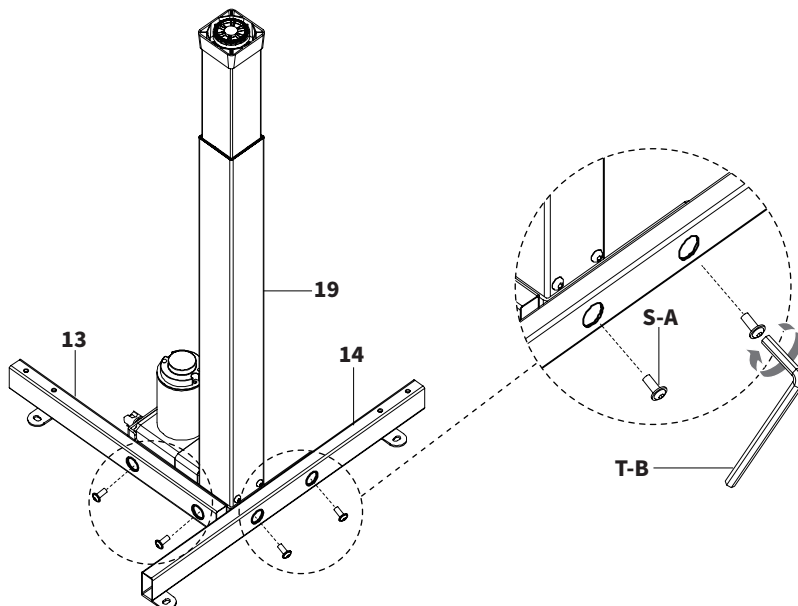
ASSEMBLY STEPS

STEP 1: Assemble Legs

Connect Left Crossbar (12) to Left Leg (20) and Angled Right Crossbar (15) to Right Leg (18) using M6x8mm Screws (S-A) and 5mm Allen Wrench (T-B).

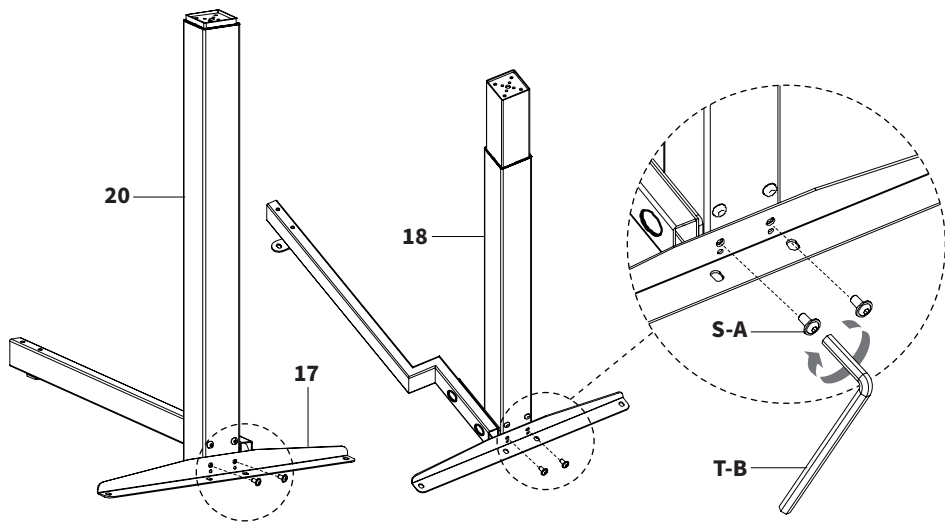


Attach Right Crossbar (14) and Short Left Crossbar (13) to Motorized Leg (19) using M6x8mm Screws (S-A) and 5mm Allen Wrench (T-B).

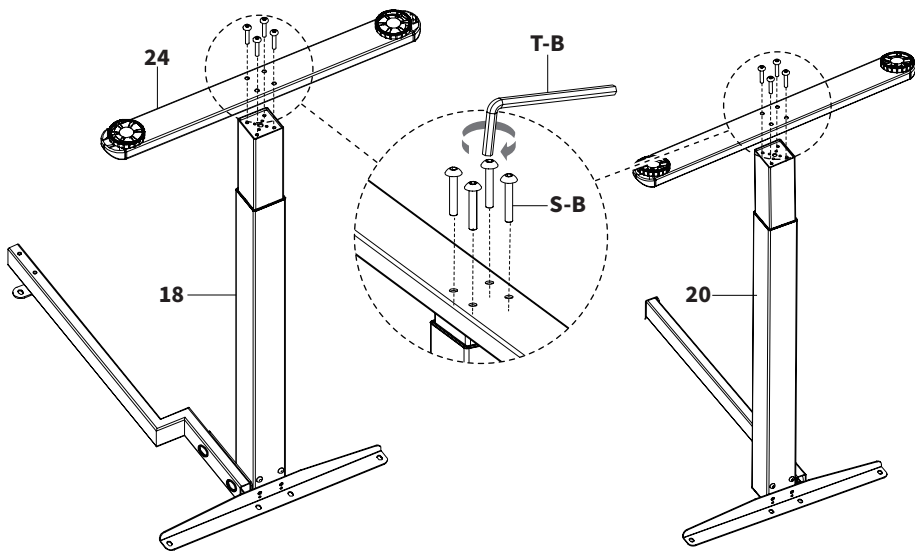


STEP 2: Secure Side Brackets and Feet

Attach Side Brackets (**17**) to Right Leg (**18**) and Left Leg (**20**) using M6x8mm Screws (**S-A**) and 5mm Allen Wrench (**T-B**).



Assemble Feet (**24**) to Right and Left Leg (**18**, **20**) using M6x35mm Screws (**S-B**) and 5mm Allen Wrench (**T-B**).



17 (x2)
Side Brackets



24 (x2)
Foot



S-A (x4)
M6x8mm Screw



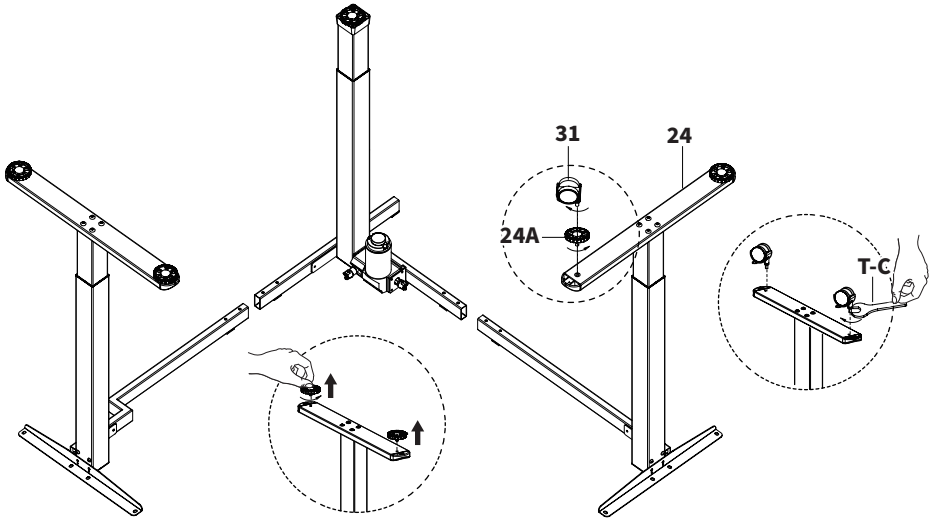
S-B (x8)
M6x35mm Screw



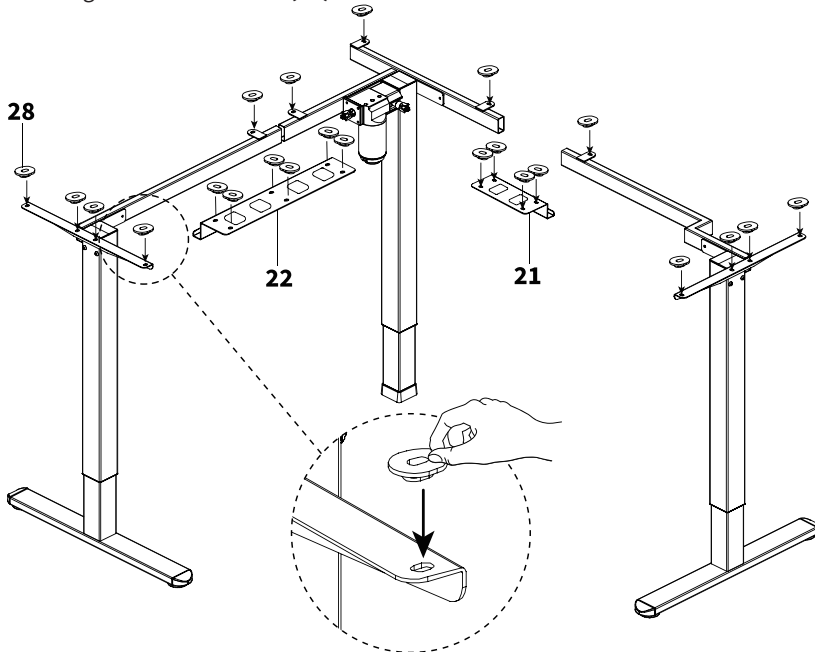
T-B
5mm Allen Wrench

STEP 3: Install Casters (Optional) and Anti-Vibration Pads

Optionally, Foot Pads (24A) can be swapped out for Locking Casters (31). Unscrew Foot Pads (24A) and thread Locking Casters (31) into Feet (24) using Wrench (T-C).



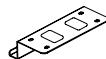
Insert Anti-Vibration Pads (28) into the frame assembly along with Short Connector Bracket (21) and Long Connector Bracket (22).



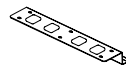
31 (x5)
Locking Caster



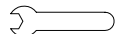
28 (x23)
Anti-Vibration Pads



21 (x1)
Short Connector Bracket



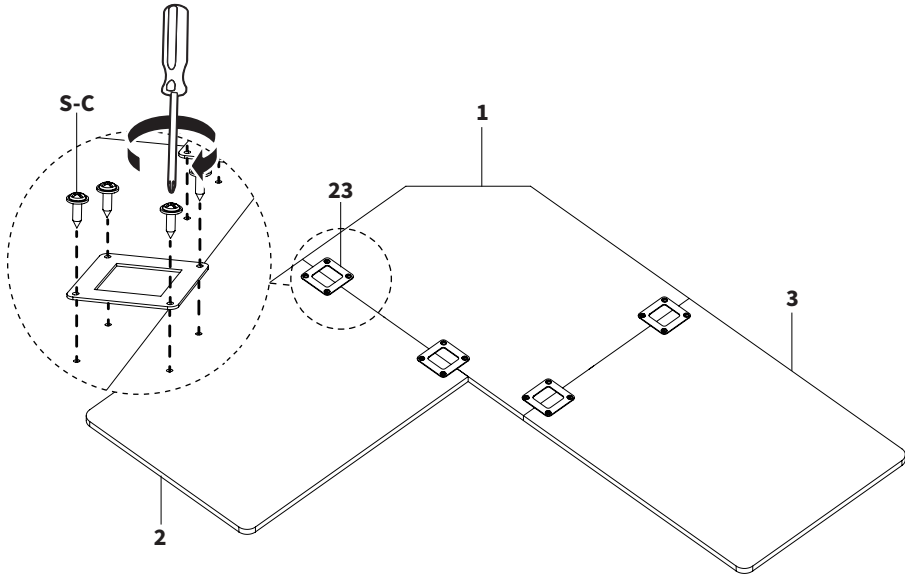
22 (x1)
Long Connector Bracket



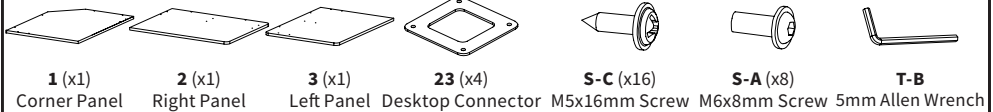
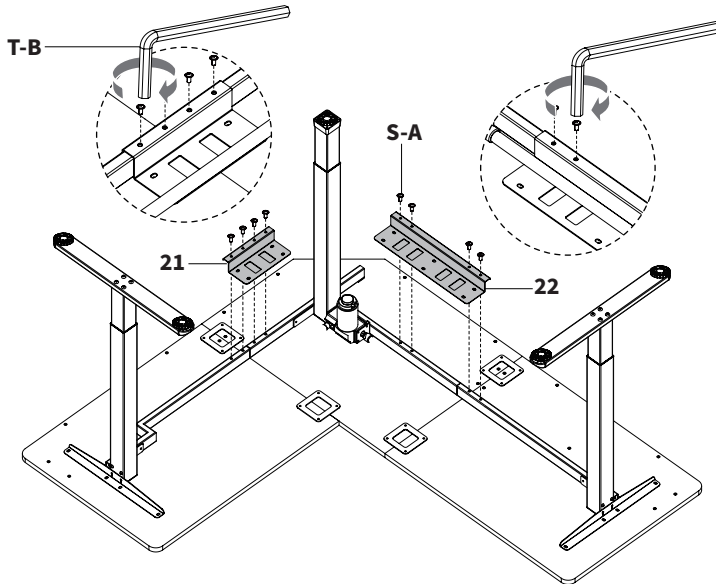
T-C (x1)
Wrench

STEP 4: Assemble Desktop and Install Connector Brackets

Assemble Corner Panel (1), Right Panel (2), and Left Panel (3) using Desktop Connectors (23) and M5x16mm Screws (S-C) and a Phillips screwdriver.

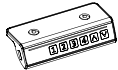
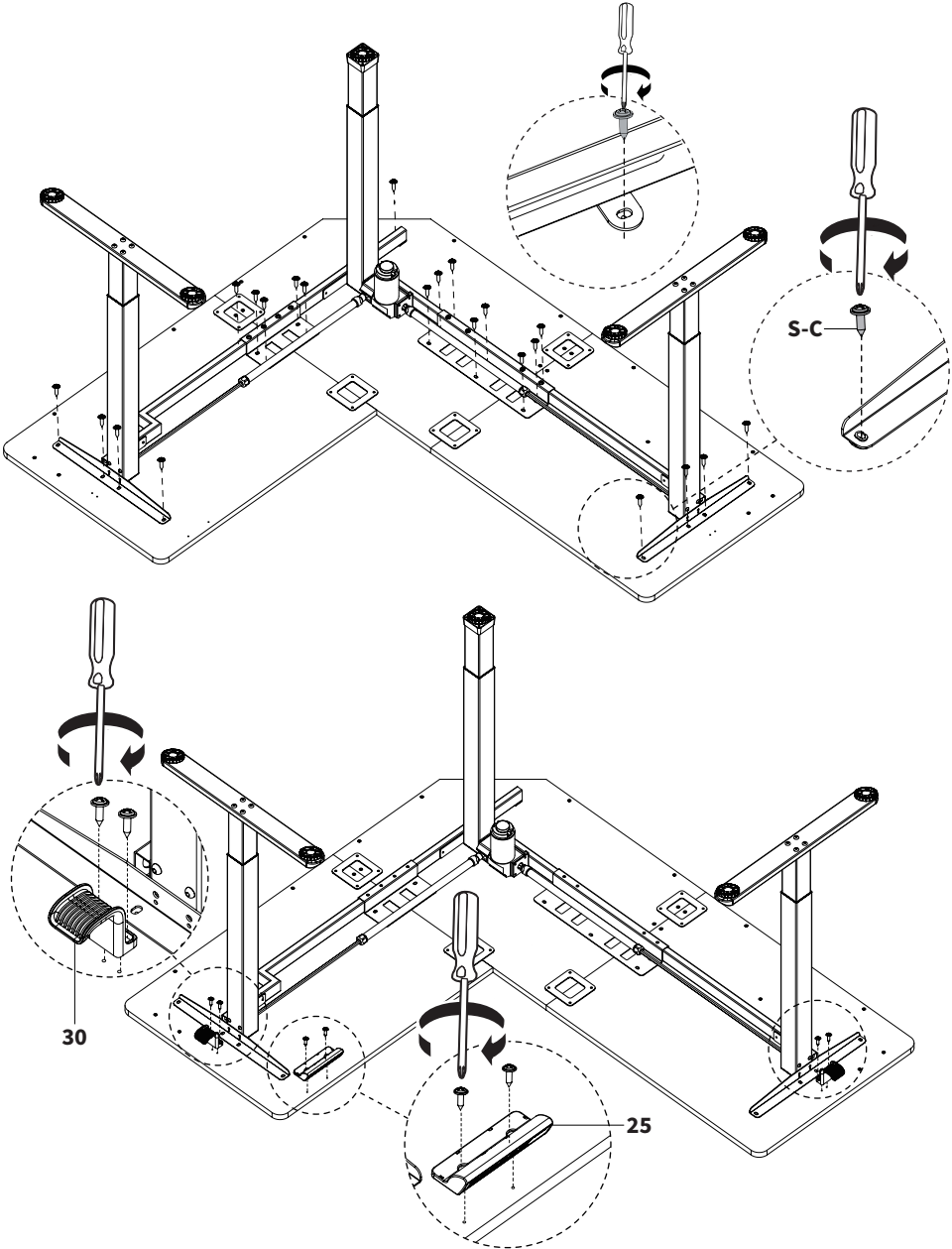


Connect the frame assembly using Short Connector Bracket (21) and Long Connector Bracket (22) with M6x8mm Screws (S-A) and 5mm Allen Wrench (T-B).



STEP 5: Secure Frame and Desktop

Secure the frame assembly with Control Panel (25) and Hooks (30) to the desktop assembly using M5x16mm Screws (S-C) and a Phillips screwdriver.



25 (x1)
Control Panel



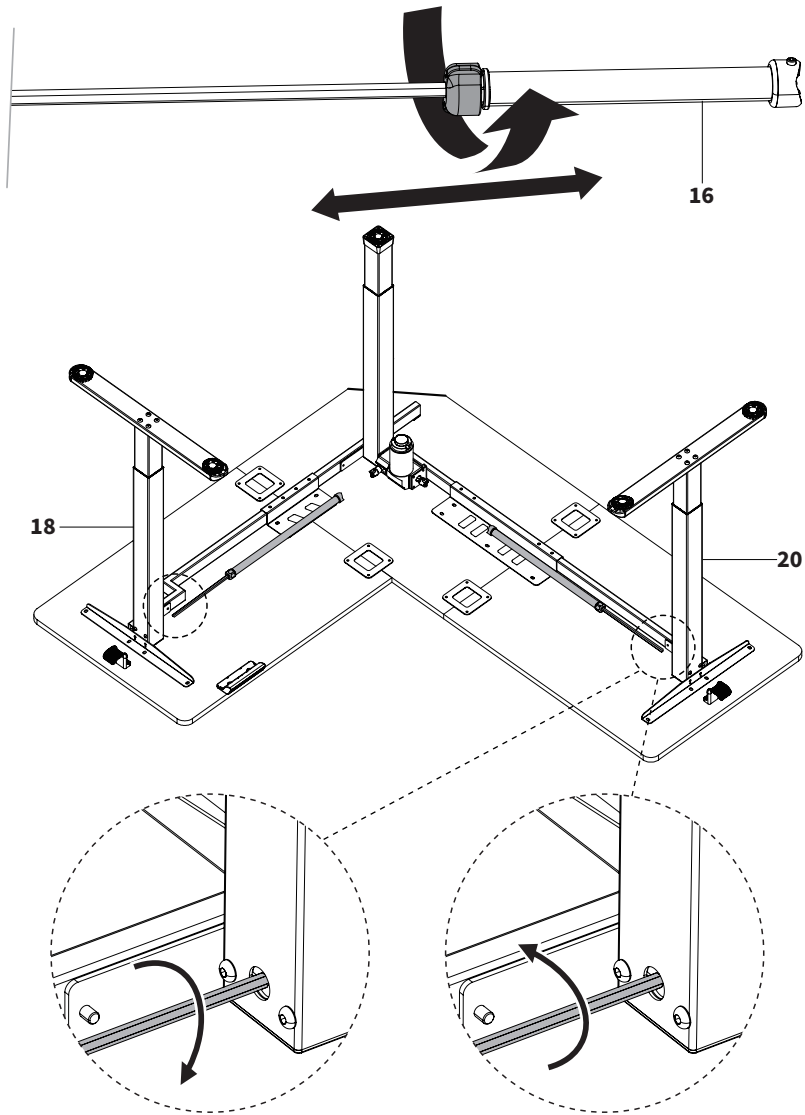
30 (x2)
Hook



S-C (x29)
M5x16mm Screw

STEP 6: Install Sync Rods

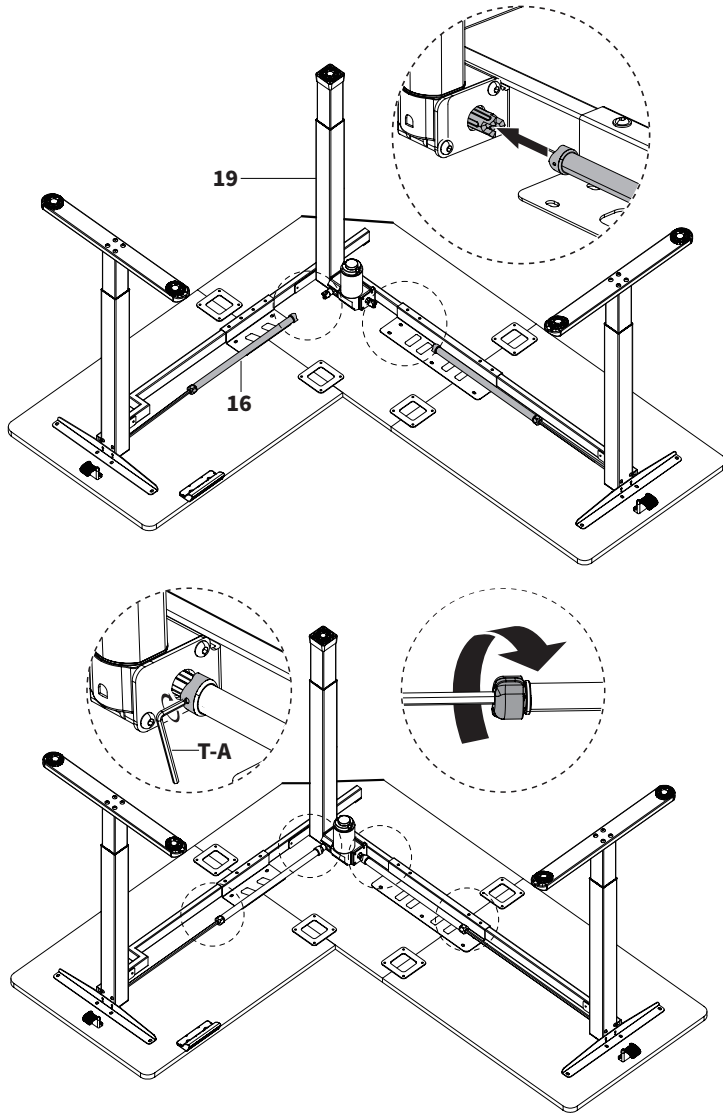
Loosen the coupling nut on Sync Rods **(16)** and insert hex shaft into Left and Right Legs **(18, 20)**, making sure the metal retaining ring makes contact with the legs. Ensure that all three legs are the same height. If not, turn Sync Rod **(16)** clockwise to raise corresponding leg, and counter-clockwise to lower.



16 (x2)
Sync Rod

STEP 7: Install Sync Rods (Continued)

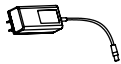
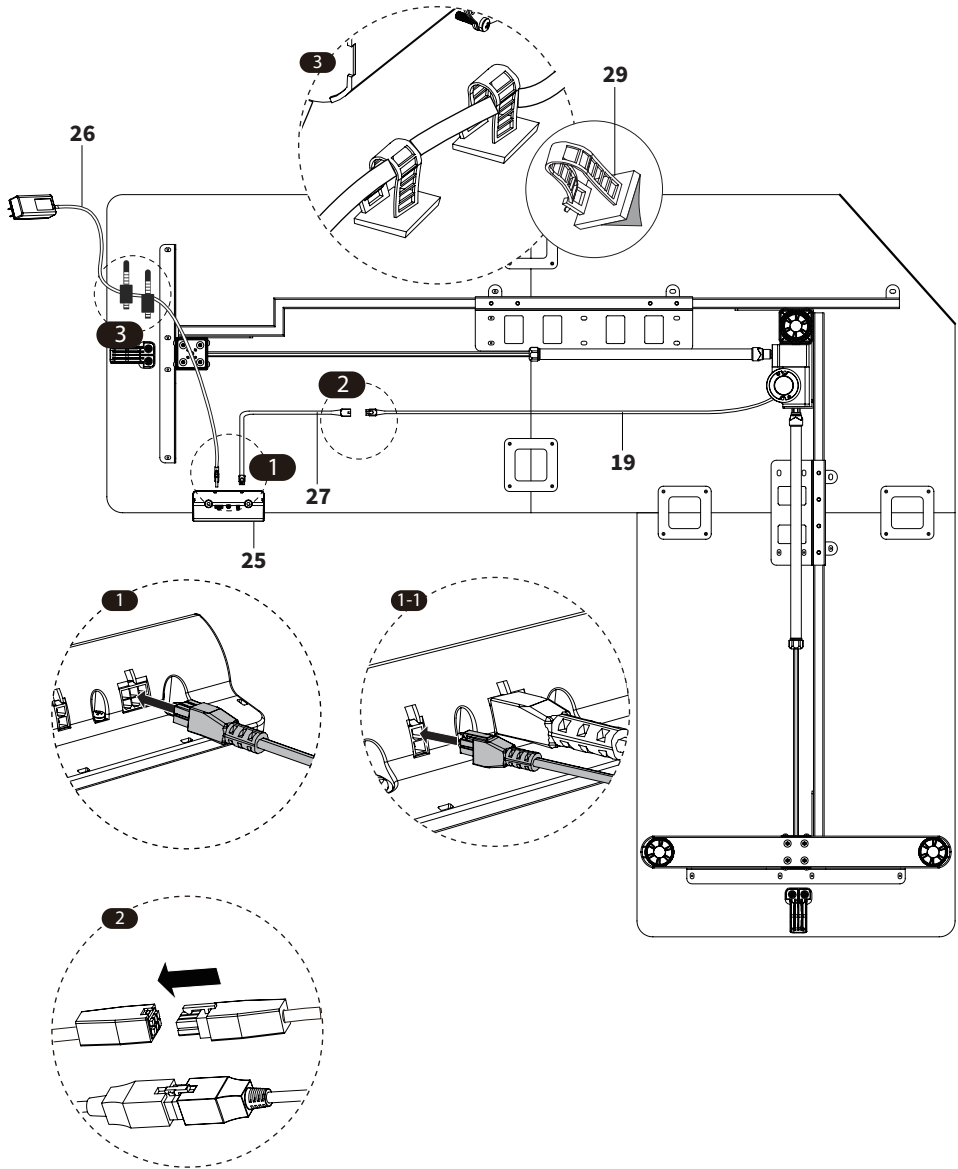
Extend Sync Rods (16) onto Motorized Leg (19) and tighten the nuts. Tighten both set screws on the end of Sync Rods (16) using the 2mm Allen wrench (T-A).



T-A (x1)
2mm Allen Wrench

STEP 8: Connect Power Cables

Connect AC Adapter (26) and cable from Motorized Leg (19) to Control Panel (25). If needed, use Extension Cable (27) for cable from Motorized Leg (19) to extend length. Use Cable Clips (29) to secure cables to desktop.



26 (x1)
AC Adapter



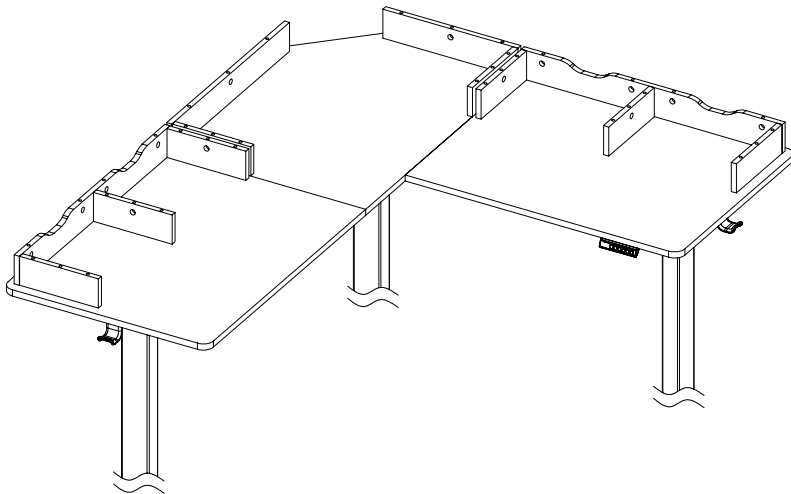
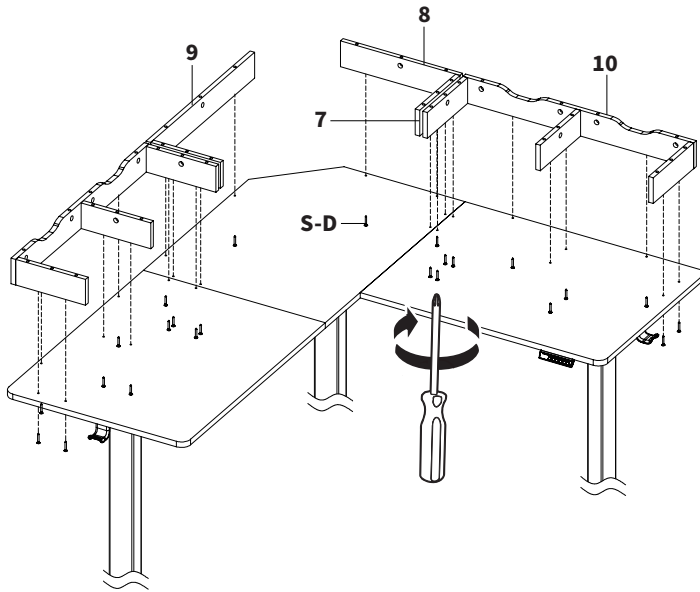
27 (x1)
Extension Cable



29 (x4)
Cable Clips

STEP 9: Install Shelf Panels

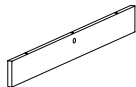
Assemble Shelf Dividers (7), Short Corner Shelf Panel (8), Long Corner Shelf Panel (9), and Rear Shelf Panels (10) to the desktop assembly using M4.2x35mm Screws (S-D) and a Phillips screwdriver using all locations shown below.



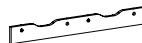
7 (x8)
Shelf Divider



8 (x1)
Short Corner Shelf Panel



9 (x1)
Long Corner Shelf Panel



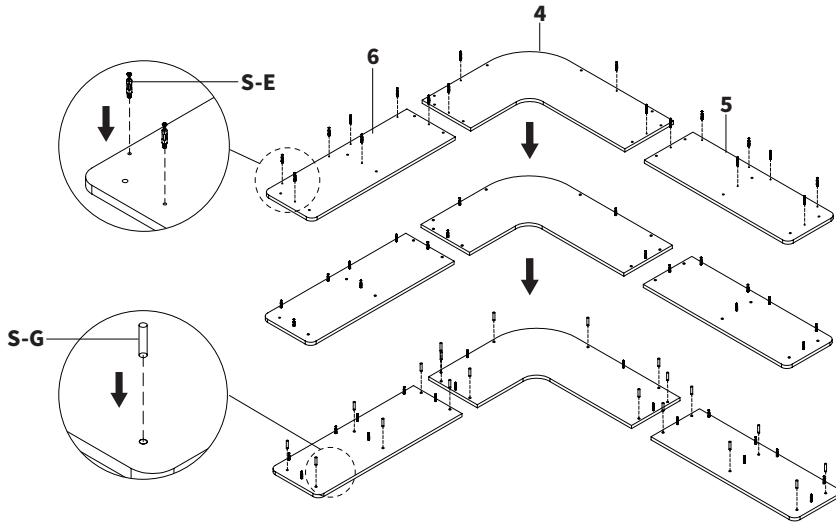
10 (x2)
Rear Shelf Panel



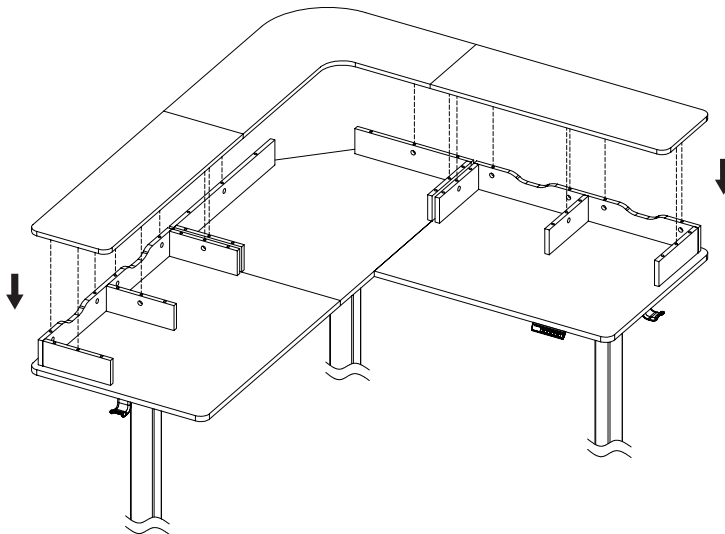
S-D (x24)
M4.2x35mm Screw

STEP 10: Assemble Shelves

Insert Cam Lock Screws (**S-E**) using a Phillips screwdriver and Wooden Dowels (**S-G**) into Corner Shelf Panel (**4**), Left Shelf Panel (**5**), and Right Shelf Panel (**6**).



Place the Shelf Assembly on top of the divider assembly.



4 (x1)
Corner Shelf Panel



5 (x1)
Left Shelf Panel



6 (x1)
Right Shelf Panel



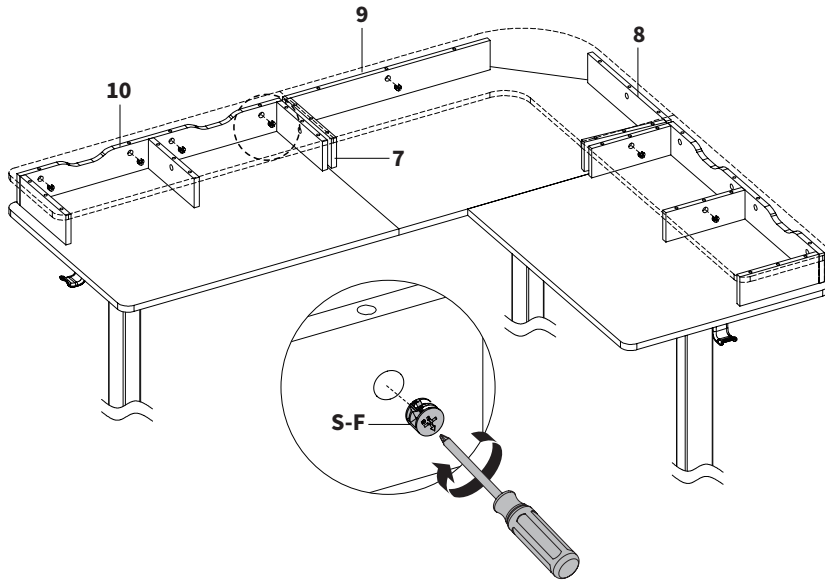
S-E (x18)
Cam Lock Screw



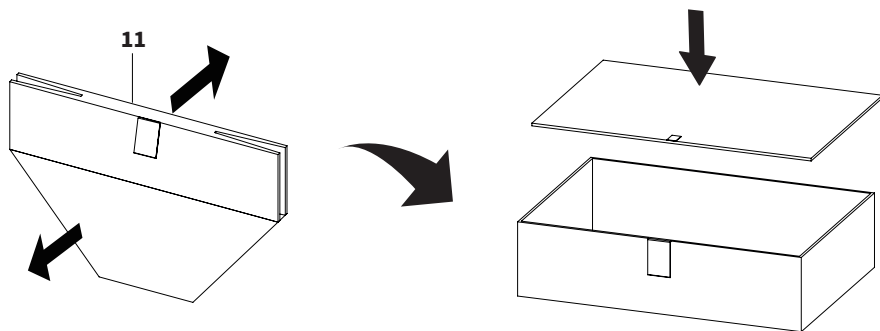
S-G (x20)
Wooden Dowel

STEP 11: Assemble Shelves Continued (Continued)

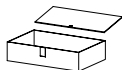
Insert Cam Lock Nuts (**S-F**) into Shelf Dividers (**7**), Short Corner Shelf Panel (**8**), Long Corner Shelf Panel (**9**), and Rear Shelf Panels (**10**) making sure arrow is facing up. Using a Phillips screwdriver, turn Cam Lock Nuts (**S-F**) clockwise to secure the shelf assembly in place.



Unfold Drawers (**11**) and place drawer insert inside.



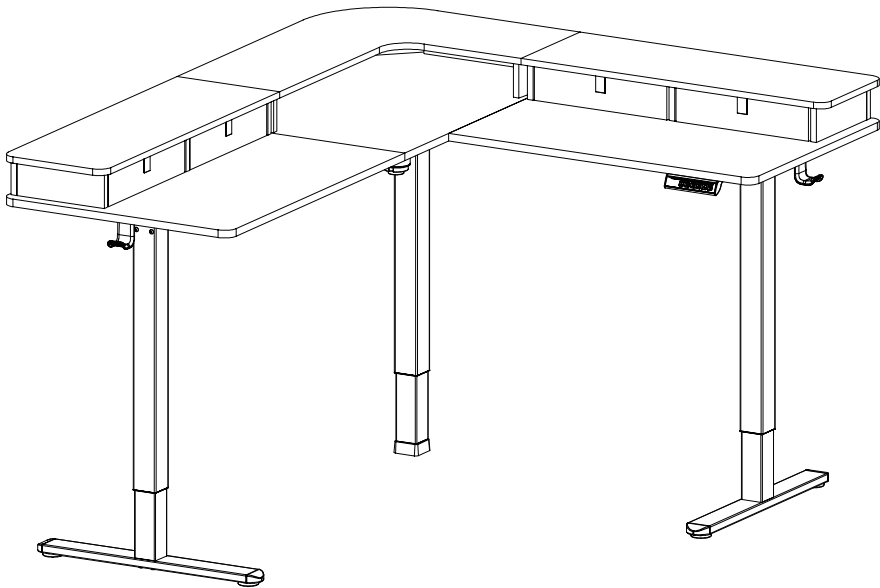
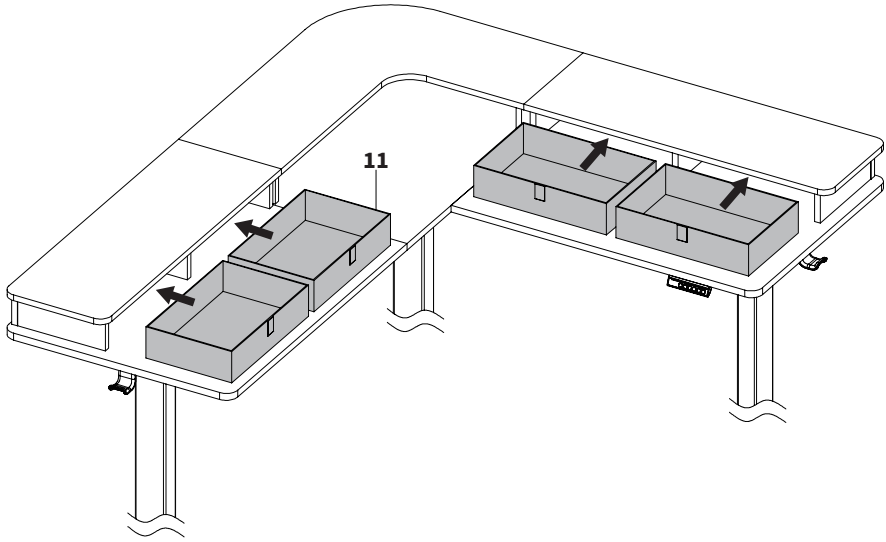
S-F (x18)
Cam Lock Nut



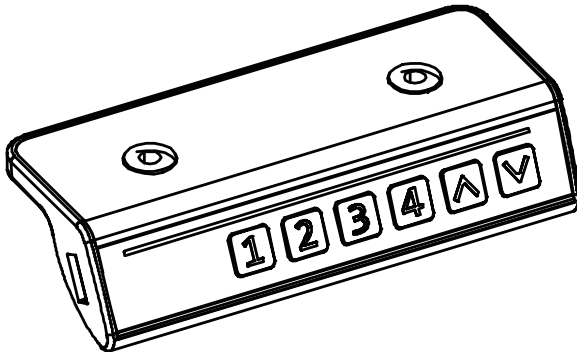
11 (x4)
Drawer

STEP 12: Install Drawers

Slide Drawers (11) into the shelf assembly.

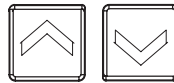


CONTROLLER - USER MANUAL



Memory Presets

Press any number and the desk will return to the programmed height. See *Programming Memory Presets* to program presets.



Arrow Keys

Press and hold the UP arrow for the desk to begin raising. Release when desk reaches desired height. Press and hold DOWN arrow to lower desk. Release button when desired height is reached.

Memory Mode

To save a set height, press and hold the "1" button for 5 seconds until "H1" appears. Your height setting is now stored. Follow steps for the other numerical buttons to save up to four height settings.

Reset Mode

If the height of the desk is incorrect, press the down arrow until the desk moves to the fully lowered position. Press and hold the down arrow. "RES" will be displayed and the leg will lower and rebound upwards. Release the down arrow and your frame has been reset.

Troubleshooting

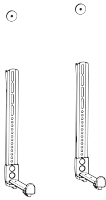
Error Code	Description/Resolution
E10	Sensorless Alarm: This alarm triggered when the sensor cannot be detected. Power off desk and check the connection between the motor and control panel, then re-power.
E20	Overload Alarm: Remove desk items and try again.
E02	Rebound Protection: Check for desk vibration, obstacles, or desk incline. If no issues found, complete the reset process and try again.
E32	Overvoltage Alarm: Voltage is higher than allowed value. Power off desk and check connection between power and control panel. Power on again.
E31	Undervoltage Alarm: Voltage is lower than required value. Power off desk and check connection between power and control panel. Power on again.
HOT	Overheated Alarm: Power off and wait 18 minutes before using again.

CHECK OUT OTHER GREAT PRODUCTS FROM



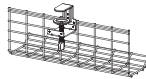
EXPLORE MORE AT [VIVO-US.COM](https://www.vivo-us.com)

We offer a wide array of home & office products to fit your needs. From height adjustable desks to monitor mounts to keyboard trays and more!



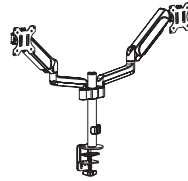
SPEAKER MOUNTS & STANDS

Whether you're mounting a soundbar or surround sound system, we've got a mounting solution to fit your needs



CABLE MANAGEMENT

From single monitor mounts to hex mount, grommet or clamp-ons, we've got a mounting solution for your setup.



MONITOR MOUNTS

From single monitor mounts to hex mount, grommet or clamp-ons, we've got a mounting solution for your setup.



WHO WE ARE



VIVO is more than a brand of ergonomic office furniture. We are a team of creative and innovative individuals working together to offer high quality, affordable ergonomic solutions. We think and work outside of the box to serve you, our customer, to the best of our ability.



Need Assistance?

We Would Love to Help!



Personable Customer Support | **Mon-Fri 7am-7pm**

We offer immediate assistance with rapid response times from customer service agents and product technicians to help you every step of the way!



Call Us: **309-278-5303**

Average Resolution Time: **5m 4s**



Chat Us: **www.vivo-us.com**

Average Resolution Time: **< 15m**



Email Us: **help@vivo-us.com**

Average Resolution Time: **1HR 8M**

23% within < 15m

38% within < 30m

61% within < 1hr

83% within < 2hr

92% within < 3hr



LOVE YOUR NEW VIVO SETUP?

Ready to share that new amazing setup? Want to brag about that amazing new ergonomic solution?

Tag us in your photo!



VIVO-us @vivo_us

FOR MORE GREAT VIVO PRODUCTS,
CHECK OUT OUR WEBSITE AT: WWW.VIVO-US.COM