

55" x 24" Electric Desk

SKU: DESK-E155TB/C/N/W

Instruction Manual

Assembly Video & Product Info
www.vivo-us.com/products/desk-e155tb



Contact Us First!

DO NOT RETURN ITEM

Our friendly product support team is here to help!



PERSONABLE CUSTOMER SUPPORT

7AM - 7PM

Monday-Friday



Give us a Call:
309-278-5303



Chat Us:
www.vivo-us.com



Email Us:
help@vivo-us.com

We're Here for You!

Our customer-minded support team is here for YOU,

Monday-Friday 7am-7pm CST.

We offer immediate assistance with rapid response times from customer service agents and product technicians to help you every step of the way!



Missing a Part?

If any parts are received damaged / defective OR you are missing a part, please reach out to us ***within 30 days of product delivery to have it replaced at no cost.***

We are happy to replace parts to ensure you have a fully functioning product

⚠ CAUTION! ⚠

If you do not understand these directions, or if you have any doubts about the safety of the installation, please contact our product support team at 309-278-5303 or help@vivo-us.com for further assistance. Check carefully to make sure there are no missing or defective parts. Improper installation may cause damage or serious injury. Do not use this product for any purpose that is not explicitly specified in this manual. Do not exceed weight capacity. We cannot be liable for damage or injury caused by improper mounting, incorrect assembly or inappropriate use.



WARNING: CHOKING HAZARD

SMALL PARTS - NOT FOR CHILDREN UNDER 3 YEARS. ADULT SUPERVISION IS REQUIRED.



DO NOT EXCEED WEIGHT CAPACITY

FAILURE TO DO SO MAY RESULT IN SERIOUS INJURY.



ELECTRICAL SAFETY INSTRUCTIONS

THIS PRODUCT IS POWERED BY ELECTRICITY. IN ORDER TO AVOID BURNS, FIRE AND ELECTRIC SHOCK, PLEASE READ THE FOLLOWING INSTRUCTIONS CAREFULLY.

- DO NOT CLEAN PRODUCT WHILE POWER IS CONNECTED.
- DO NOT DISASSEMBLE OR REPLACE COMPONENTS WHILE POWER IS CONNECTED.
- NEVER OPERATE THE SYSTEM WITH A DAMAGED CORD OR PLUG. PLEASE CONTACT YOUR SELLER TO REPLACE DAMAGED PARTS.
- NEVER OPERATE SYSTEM IN DAMP ENVIRONMENTS OR IF ANY ELECTRICAL COMPONENTS HAVE MADE CONTACT WITH LIQUIDS.
- ALTERATIONS OF THE GIVEN POWER UNIT ARE NOT ALLOWED.
- OUTDOOR USE IS PROHIBITED.



Product Warranty

For the most up to date details on your product's warranty, please visit the product's listing on our website or reach out to customer support.

vivo-us.com/products/desk-e155tb



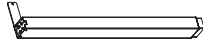
Returns | Product Didn't Work Out?

We offer a hassle-free 30 day return on all products. Contact customer support at 309-278-5303 or help@vivo-us.com. Please note: For items ordered in error or no longer needed, the return shipping charges will be at the buyer's expense.

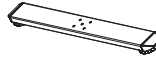
Package Contents



A (x1)
Motorized Leg



B (x1)
Leg



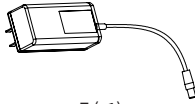
C (x2)
Foot



D (x1)
Sync Rod



E (x1)
Controller



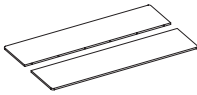
F (x1)
AC Adapter



G (x2)
Side Bracket



H (x1)
Crossbar



I (x1)
Desktop Set



J (x2)
Cable Clips



K (x2)
Hook



L (x2)
Grommet Cover

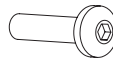
Included Hardware & Tools



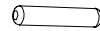
S-A (x9)
M6x8mm
Screws



S-B (x18)
ST5x15mm
Screws



S-C (x9)
M6x35mm
Screws



S-D (x8)
Wooden
Dowel



T-A (x1)
2mm Allen
Wrench



T-B (x1)
5mm Allen
Wrench

Tools Needed:



**Phillips
Screwdriver**



**Power
Drill**



Level

Weight Capacity:

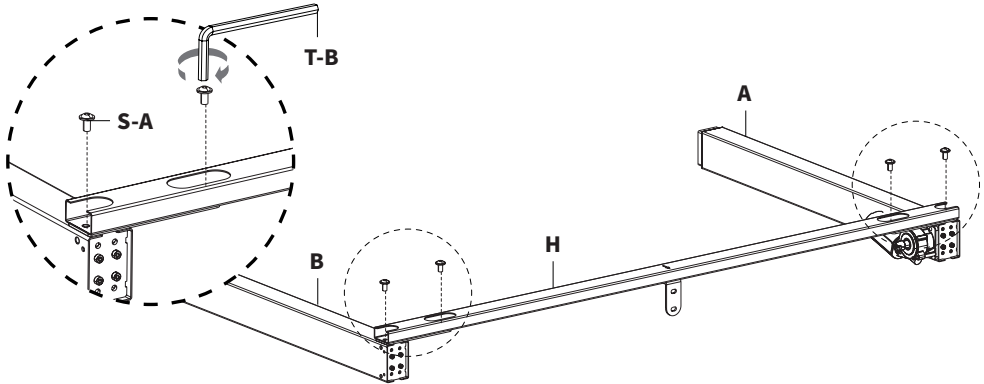


**154lbs
(70kg)**

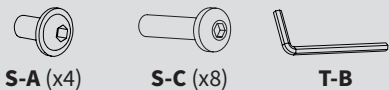
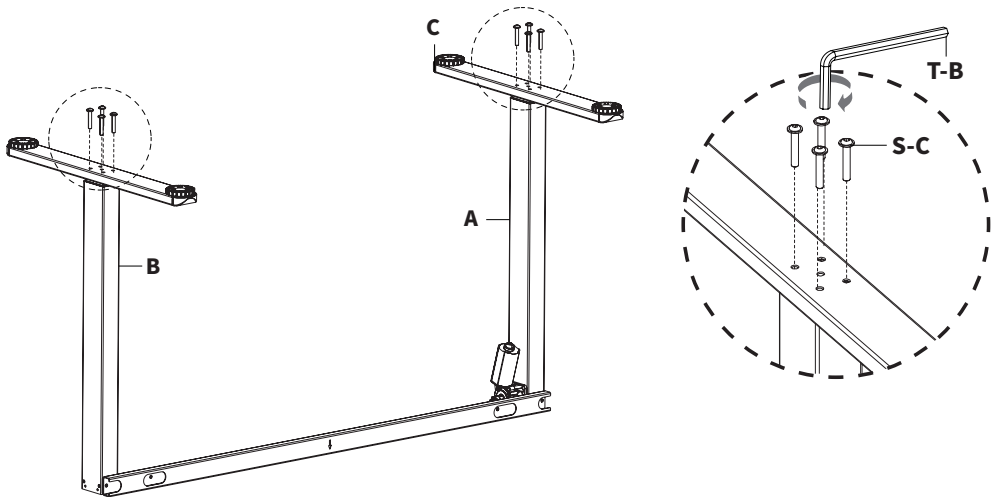
ASSEMBLY STEPS

STEP 1

Attach Crossbar (**H**) to Leg (**B**) and Motorized Leg (**A**) to Crossbar using M6x8mm Screws (**S-A**) and 5mm Allen Wrench (**T-B**).

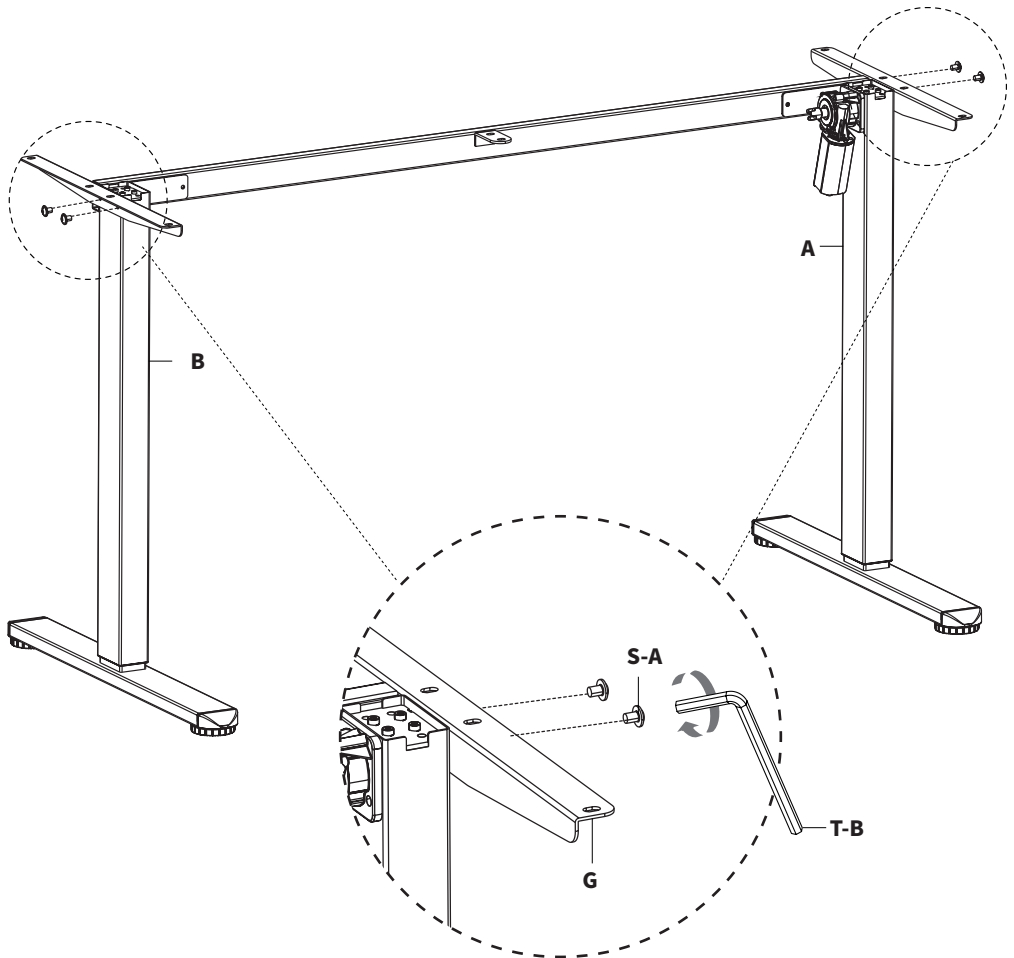


Secure Feet (**C**) to the underside of Legs (**A,B**) using M6x35mm Screws (**S-C**) and 5mm Allen Wrench (**T-B**).



STEP 2

Flip assembly right side up and secure Side Brackets (**G**) to the sides of legs (**A,B**) using M6x8mm Screws (**S-A**) and 5mm Allen Wrench (**T-B**).



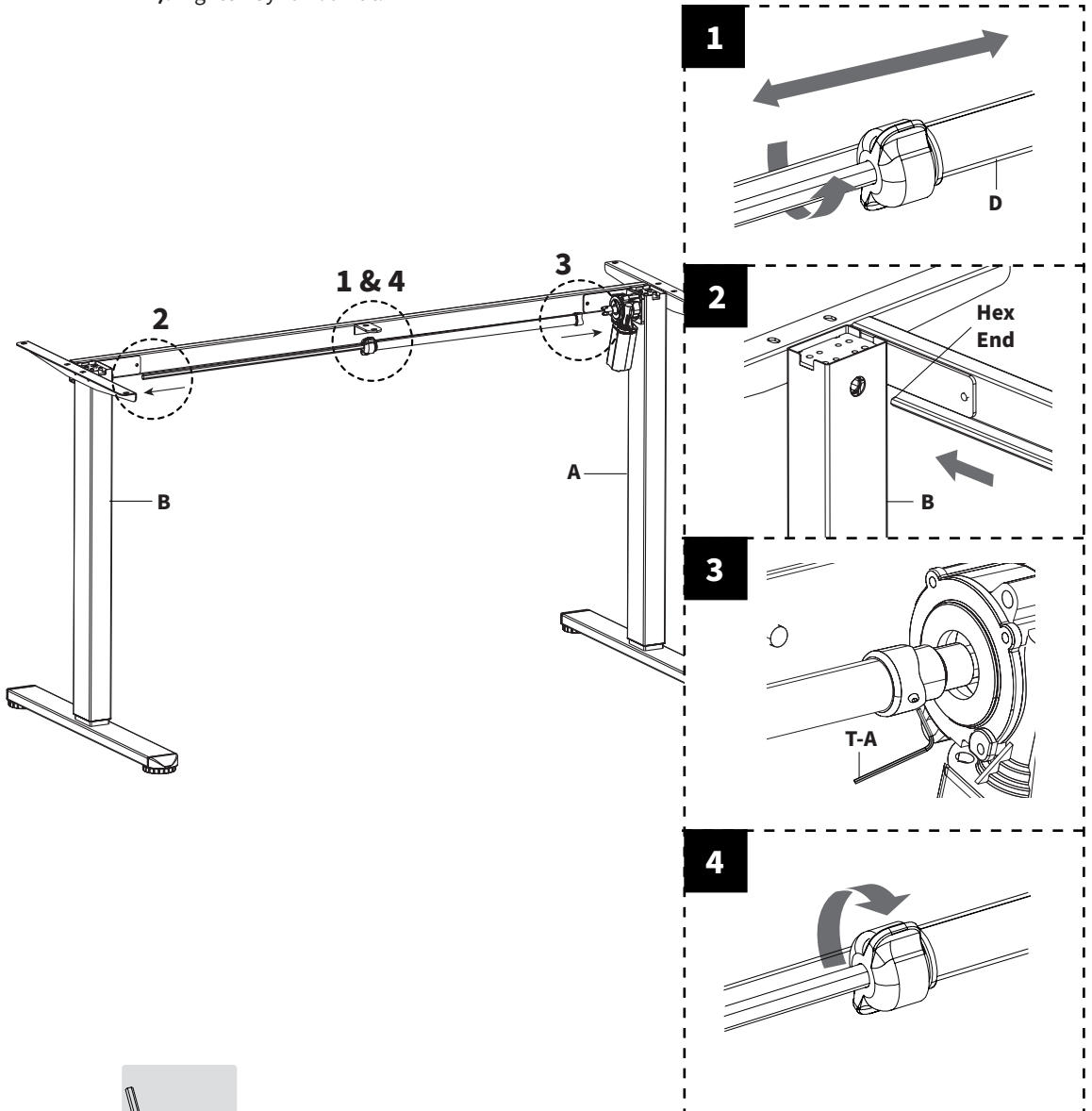
S-A (x4)



T-B

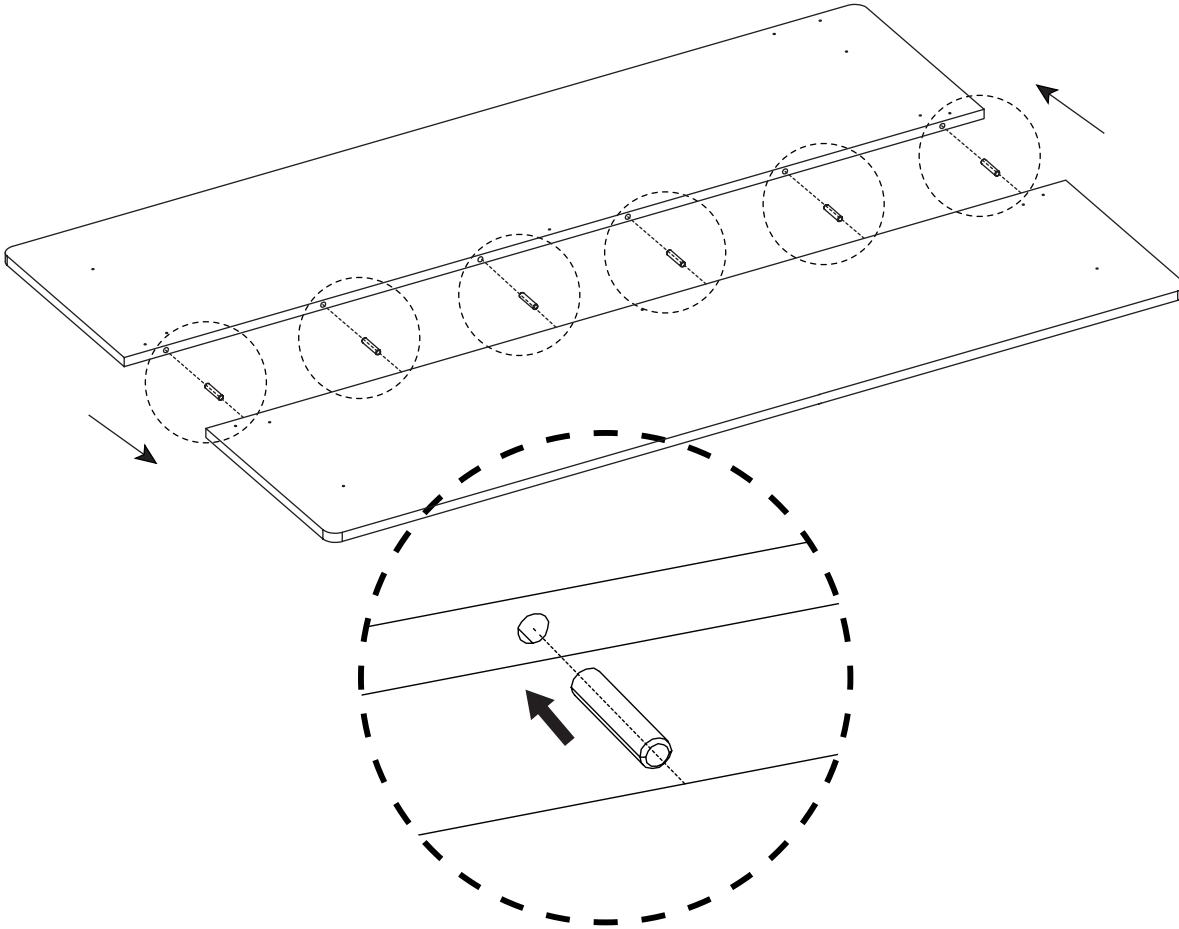
STEP 3

- 1). Loosen the nut on Sync Rod (**D**).
- 2). Insert the hex rod end into Leg (**B**).
- 3). While holding the hex end, pull the larger rod out until the connector engages with Motorized Leg (**A**). Tighten the set screw on Sync Rod (**D**) using 2mm Allen Wrench (**T-A**), then tighten the nut.
- 4). Tighten Sync Rod nut.



STEP 4

Insert Wooden Dowels (**S-D**) into the side holes of Desktop Set (**I**), then slide the panels together.

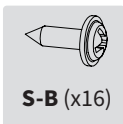
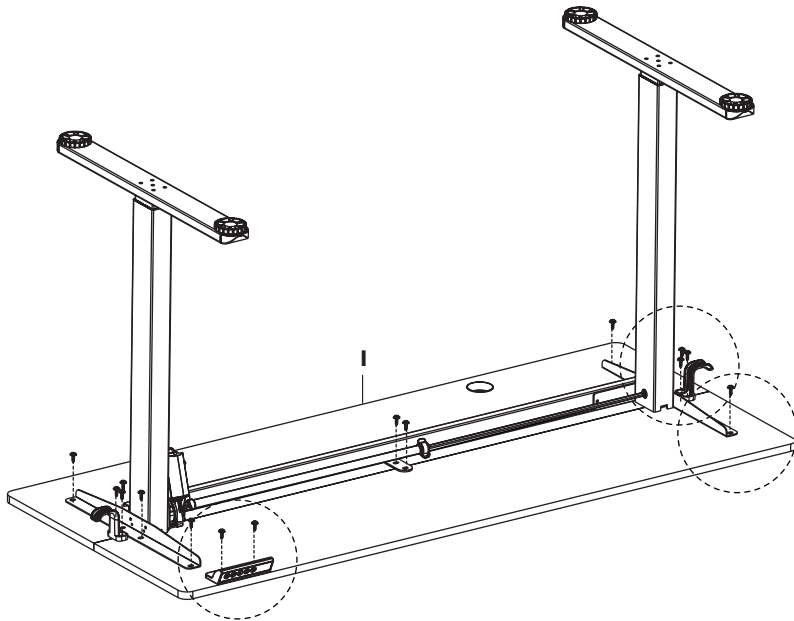
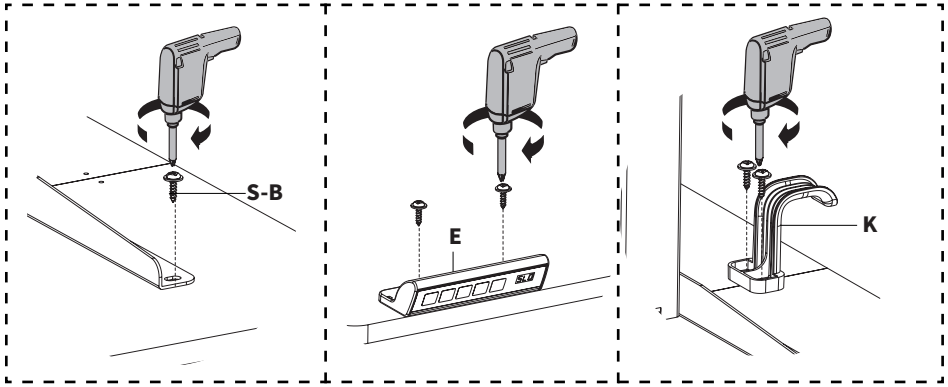


S-D (x6)

STEP 5

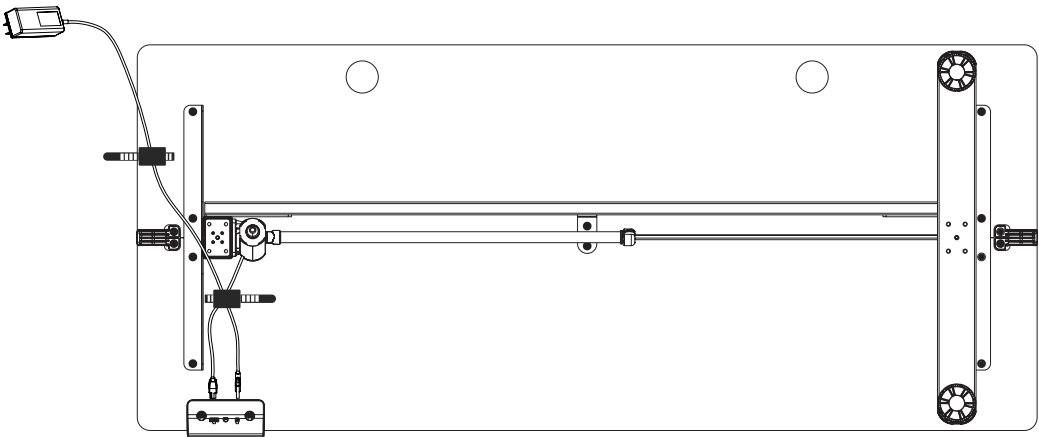
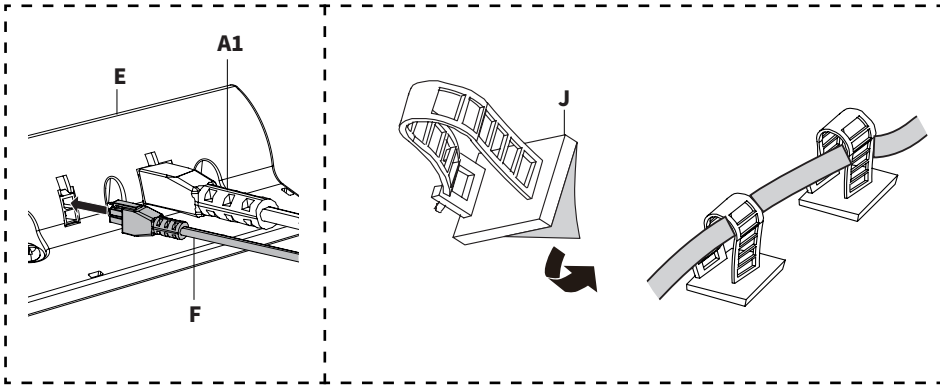
Secure the desk frame assembly to Desktop Set **(I)** using ST5x15mm Screws **(S-B)** and a power drill or a Phillips screwdriver, making note of the pre-drilled holes provided.

Install Hooks **(K)** and Control Panel **(E)** to Desktop Set **(I)** using ST5x15mm Screws **(S-B)** and a power drill or Phillips screwdriver.



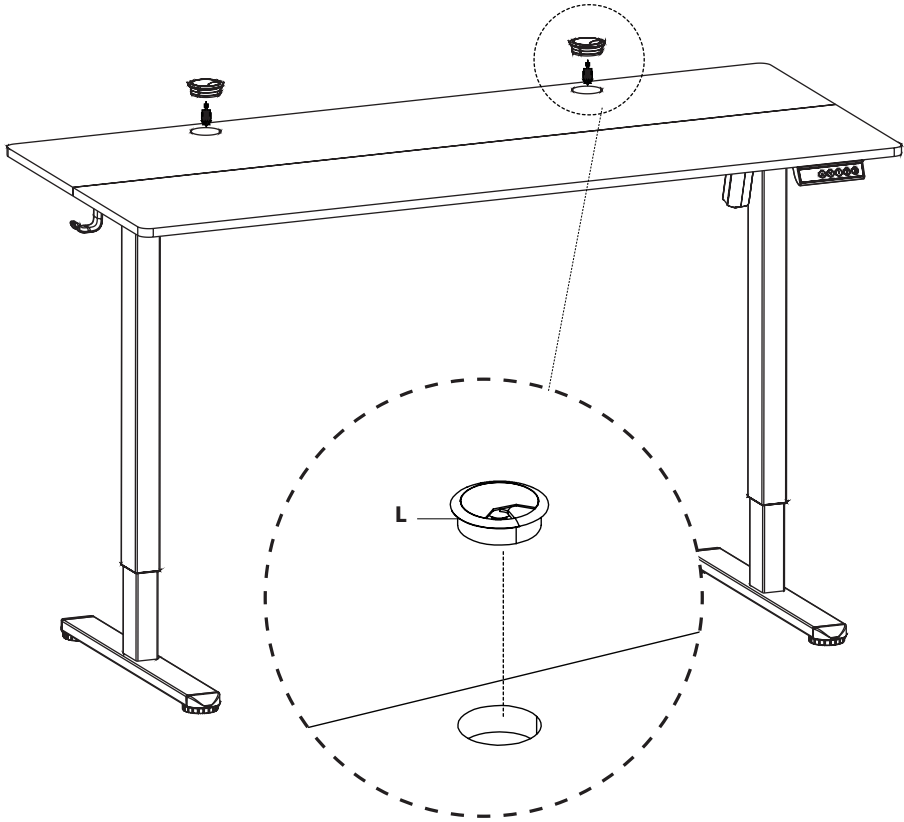
STEP 6

Connect the cables from AC Adapter (**F**) and Motorized Leg (**A1**) into the back of Control Panel (**E**), as shown below. Remove the film from Cable Clips (**J**) and use to secure cables to the underside of desktop as desired.

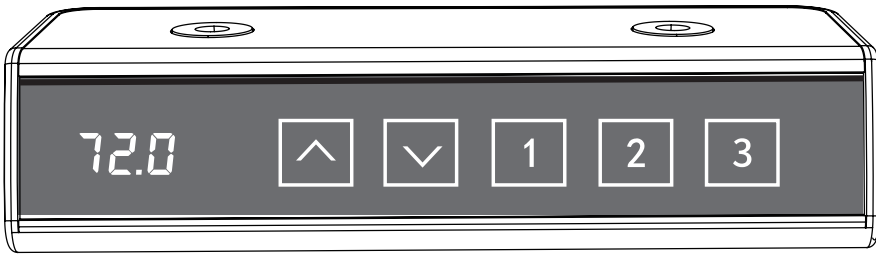


STEP 7

Flip the desk assembly upright and place Grommet Covers (**L**) into the holes on assembled desktop.



LED CONTROLLER



OPERATION



LED Panel

Displays the current desk height



Up Arrow

Press and hold to raise the desk. Release when desired height is reached.



Down Arrow

Press and hold to lower the desk. Release when desired height is reached.



Memory Settings

Use these settings to save and return to your desired height. These can be used to save a sitting and standing height for easy sit-to-stand transitions.



Programming A Memory Setting

To program, use the arrows key to raise or lower the desk to your desired height, then press and hold the number key that you want to assign that height to. LED Panel will display “H1”, “H2”, or “H3” for 3 seconds, and will then return to the displayed height.

Reset Process

Press and hold the and the LED Panel will display “RES”. Continue to hold until the desk lowers down all the way, then raises up again slightly. The desk is now reset.

Error Codes:

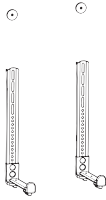
CODE	Description/Solution
HOT	Overheated: If the desk motor has been running continuously for 5 more minutes, the motor will automatically shut off prevent damage from overheating. Wait at least 15mins before attempting any furth height adjustments.
E10	Sensor Malfunction: Motor safety sensor cannot be detected. Power off the desk, unplug the cables, and wait 5mins. Reconnect cables and restore power to the desk. Perform RESET process before proceeding with height adjustments.
E20	Overload Warning: The 154lbs/70kg weight capacity of the desk has been exceeded. Unplug the desk and remove extra items on desk. Restore power to the desk and attempt height adjustment again.
E02	Operation Warning: If vibration, collison, or incline is detected the desk will stop raising/lowering. If the warning in error, follow the RESET process before attempting height adjustments.
E32	Overvoltage Warning: The input voltage is too high. If correct AC adapter is being used, unplug the desk from the wall and disconnect all cables from the controller. Wait 5 minutes then plug the cables back in and restore power. Perform RESET process. If error presists, please contact our Product Support Team at 309-278-5303 or help@vivo-us.com for further assistance
E31	Undervoltage Warning: The input voltage is too low. f correct AC adapter is being used, unplug the desk from the wall and disconnect all cables from the controller. Wait 5 minutes then plug the cables back in and restore power. Perform RESET process. If error presists, please contact our Product Support Team at 309-278-5303 or help@vivo-us.com for further assistance
-	Cable Disconnection Warning: There may be an incomplete cable connection to controller. Unplug the desk, unplug all cables, and wait 5 minutes. Reconnect cables to controller and restore power, then perfrom RESET process.

CHECK OUT OTHER GREAT PRODUCTS FROM



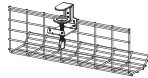
EXPLORE MORE AT [VIVO-US.COM](https://www.vivo-us.com)

We offer a wide array of home & office products to fit your needs. From height adjustable desks to monitor mounts to keyboard trays and more!



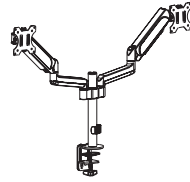
SPEAKER MOUNTS & STANDS

Whether you're mounting a soundbar or surround sound system, we've got a mounting solution to fit your needs



CABLE MANAGEMENT

From single monitor mounts to hex mount, grommet or clamp-ons, we've got a mounting solution for your setup.



MONITOR MOUNTS

From single monitor mounts to hex mount, grommet or clamp-ons, we've got a mounting solution for your setup.



WHO WE ARE



VIVO is more than a brand of ergonomic office furniture. We are a team of creative and innovative individuals working together to offer high quality, affordable ergonomic solutions. We think and work outside of the box to serve you, our customer, to the best of our ability.



Need Assistance?

We Would Love to Help!



Personable Customer Support | **Mon-Fri 7am-7pm**

We offer immediate assistance with rapid response times from customer service agents and product technicians to help you every step of the way!



Call Us: **309-278-5303**

Average Resolution Time: **5m 4s**



Chat Us: **www.vivo-us.com**

Average Resolution Time: **< 15m**



Email Us: **help@vivo-us.com**

Average Resolution Time: **1HR 8M**

23% within < 15m

38% within < 30m

61% within < 1hr

83% within < 2hr

92% within < 3hr



Need Help? Get In Touch

Monday-Friday from 7:00am-7:00pm CST



help@vivo-us.com



www.vivo-us.com
Chat live with an agent!



309-278-5303



VIVO-us



@vivo_us