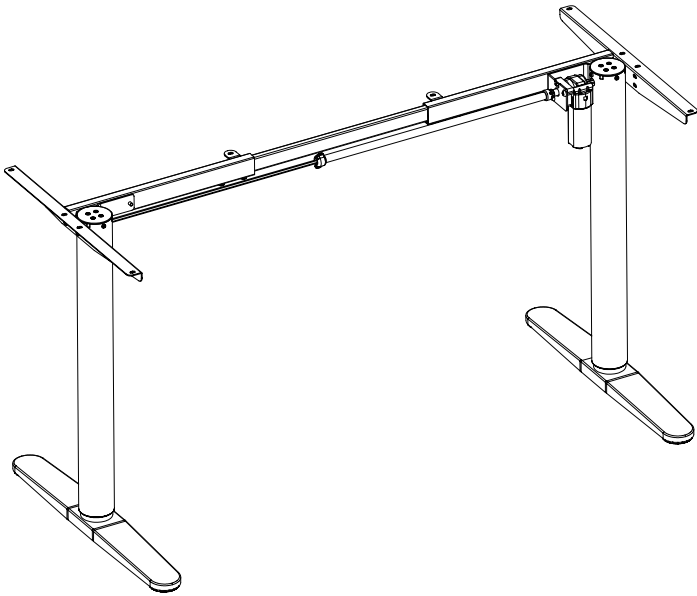




Black Compact Electric Single Motor Desk Frame Instruction Manual



SKU: DESK-E151EB



Scan the QR code with your mobile device or follow the link for helpful videos and specifications related to this product.

<https://vivo-us.com/products/desk-e151eb>

GET IN TOUCH | Monday-Friday from 7:00am-7:00pm CST



help@vivo-us.com



www.vivo-us.com
Chat live with an agent!



309-278-5303

WARNING!

If you do not understand these directions, or if you have any doubts about the safety of the installation, please call a qualified technician. Check carefully to make sure there are no missing or defective parts. Improper installation may cause damage or serious injury. Do not use this product for any purpose that is not explicitly specified in this manual and do not exceed weight capacity. We cannot be liable for damage or injury caused by improper mounting, incorrect assembly, or inappropriate use.

ELECTRICAL SAFETY INSTRUCTIONS

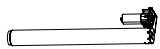
THIS PRODUCT IS POWERED BY ELECTRICITY. IN ORDER TO AVOID BURNS, FIRE AND ELECTRIC SHOCK, PLEASE READ THE FOLLOWING INSTRUCTIONS CAREFULLY.

- DO NOT CLEAN PRODUCT WHILE POWER IS CONNECTED.
- DO NOT DISASSEMBLE OR REPLACE COMPONENTS WHILE POWER IS CONNECTED.
- NEVER OPERATE THE SYSTEM WITH A DAMAGED CORD OR PLUG. PLEASE CONTACT YOUR SELLER TO REPLACE DAMAGED PARTS.
- NEVER OPERATE SYSTEM IN DAMP ENVIRONMENTS OR IF ANY ELECTRICAL COMPONENTS HAVE MADE CONTACT WITH LIQUIDS.
- ALTERATIONS OF THE GIVEN POWER UNIT ARE NOT ALLOWED.
- OUTDOOR USE IS PROHIBITED.

WARNING: CHOKING HAZARD

SMALL PARTS - NOT FOR CHILDREN UNDER 3 YEARS. ADULT SUPERVISION IS REQUIRED.

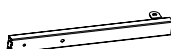
PACKAGE CONTENTS



A (x1)
Motorized Leg



B (x1)
Leg



C (x1)
Left Crossbar



D (x1)
Right Crossbar



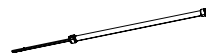
E (x1)
Inner Crossbar



F (x2)
Foot



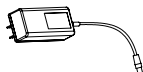
G (x2)
Side Bracket



H (x1)
Sync Rod



I (x1)
Control Panel



J (x1)
Power Cable



K (x12)
Anti-Vibration Pad



L (x2)
Cable Clip



S-A (x26)
M6x11mm
Screw



S-B (x14)
M5x16mm
Screw



T-A (x1)
2mm Allen Wrench



T-B (x1)
5mm Allen Wrench

TOOLS NEEDED



**Phillips
Screwdriver**



Drill



Level

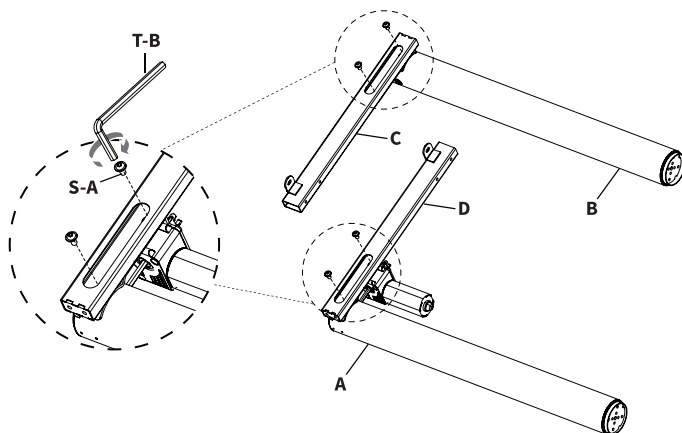


DO NOT EXCEED WEIGHT CAPACITY.
Failure to do so may result in serious injury.

ASSEMBLY STEPS

STEP 1

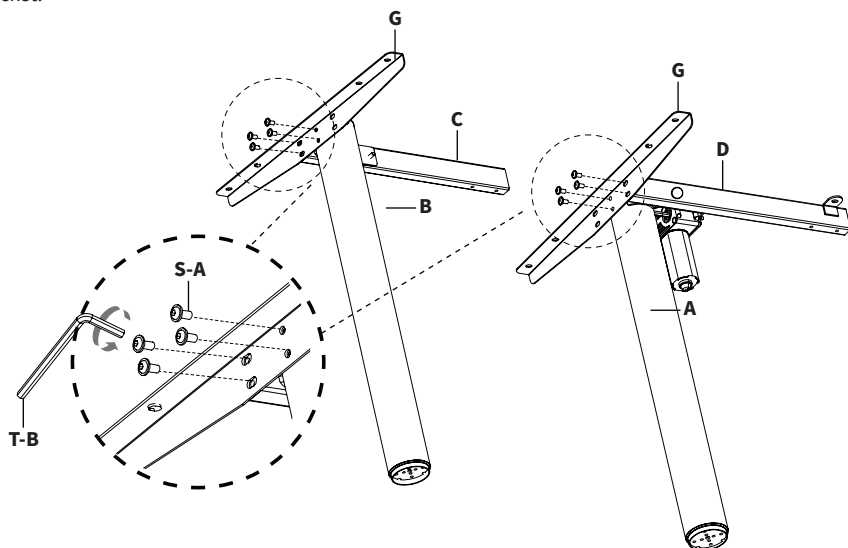
Assemble Right Crossbar (**D**) to Motorized Leg (**A**), and Left Crossbar (**C**) to Leg (**B**), using M6x11mm Screws (**S-A**) and 5mm Allen Wrench (**T-B**).



STEP 2

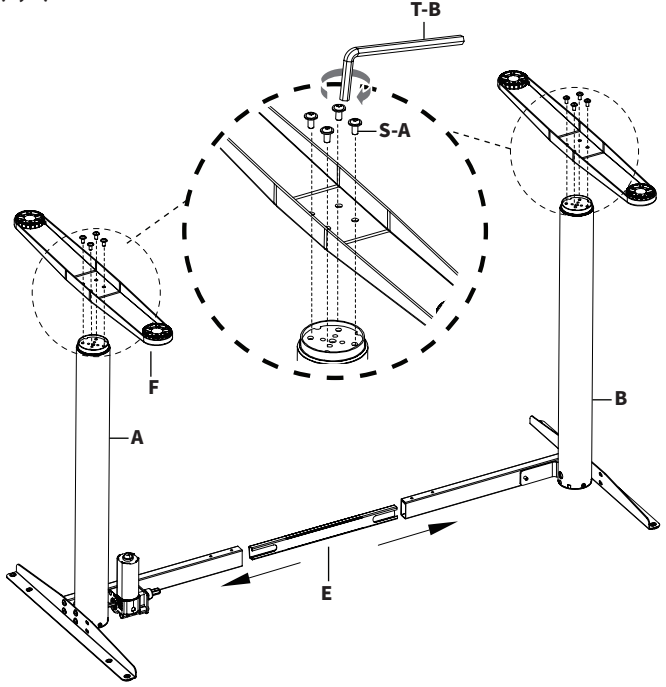
Attach one Side Bracket (**G**) to Leg (**B**) and Right Crossbar (**D**) using M6x11mm Screws (**S-A**) and 5mm Allen Wrench (**T-B**), using the center and left screw holes of Side Bracket.

Next, attach remaining Side Bracket (**G**) to Motorized Leg (**A**) and Left Crossbar (**C**) using using M6x11mm Screws (**S-A**) and 5mm Allen Wrench (**T-B**), using the center and right screw holes of Side Bracket.

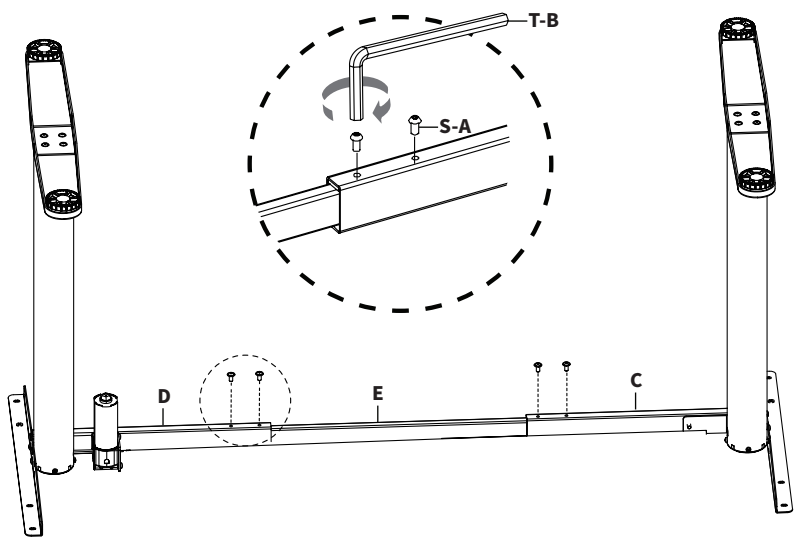


STEP 3

Place Feet (F) on leg assemblies and secure using M6x11mm Screws (S-A) and 5mm Allen Wrench (T-B). Connect leg assemblies by sliding Inner Crossbar (E) into Left and Right Crossbars (C, D).

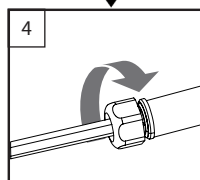
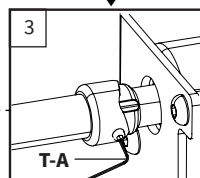
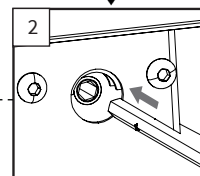
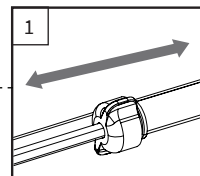
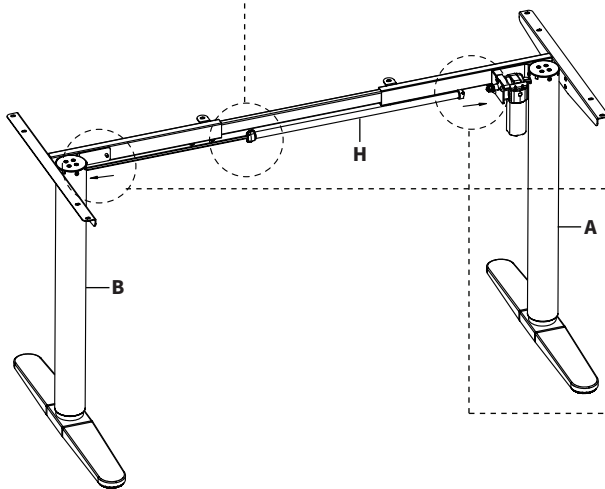


Secure Inner Crossbar (E) to Left and Right Crossbars (C, D) using M6x11mm Screws (S-A) and 5mm Allen Wrench (T-B). Place Sync Rod

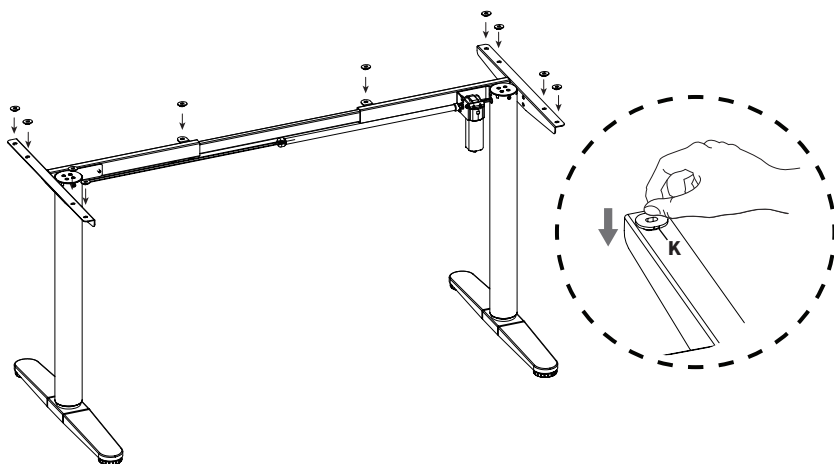


STEP 4

Flip assembly over. Loosen the knob on the Sync Rod (**H**) and extend the hex shaft. Insert hex shaft into Leg (**B**), making sure the metal retaining ring makes contact with the Leg (**B**). While holding the hex shaft with one hand, extend Sync Rod (**H**) onto the spline shaft of Motorized Leg (**A**). Tighten Sync Rod (**H**) using 2mm Allen Wrench (**T-A**). Retighten knob.

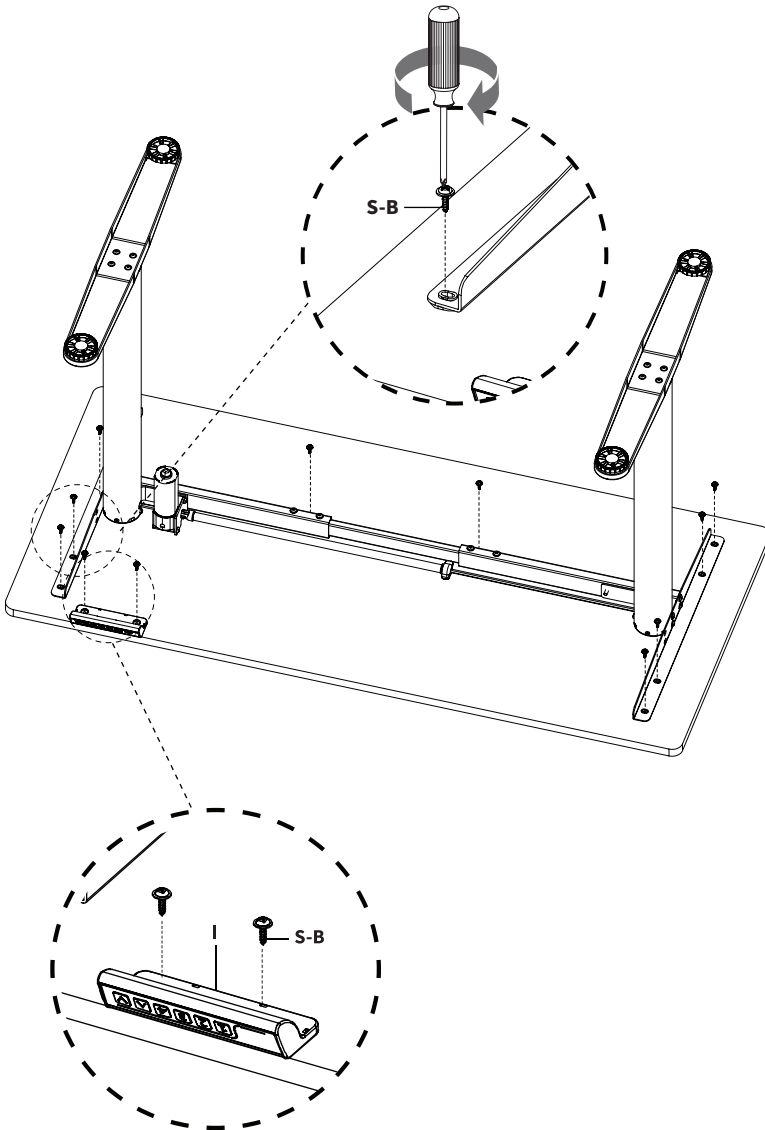


Place Anti-Vibration Pads (**K**), as shown below.



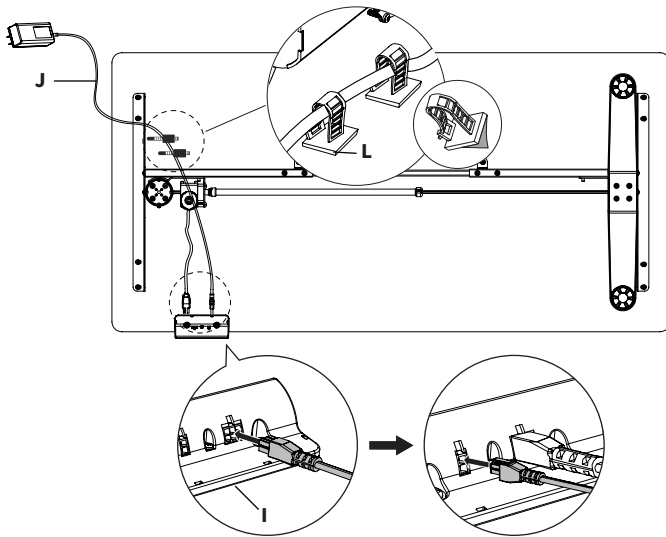
STEP 5

Place the frame assembly upside down on the desktop in the desired location. Use a $\frac{3}{32}$ " (3mm) drill bit and drill holes to a depth of $\frac{3}{8}$ " (10mm), if needed. Secure the frame and Control Panel (I) to the desktop using M5x16mm Screws (S-B) and a Phillips screwdriver.



STEP 6

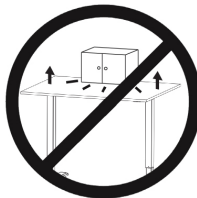
Connect cable from Motorized Leg (**A**) and Power Cable (**J**) to Control Panel (**I**). Install Cable Clips (**L**) to the underside of the desktop for cable management.



CAUTION!



Do not exceed desk weight limit.



Keep area of vertical motion free of obstacles.



Keep weight on desk balanced for correct operation and longer life of components.



Leave enough slack in cables to allow for full range of vertical motion.

Failure to follow these instructions may result in property damage and/or personal injury.



Open **Monday - Friday 7:00am - 7:00pm** CST,
our dedicated support team can offer immediate assistance with rapid response times. If any parts are received damaged or defective, please contact us. We are happy to replace parts to ensure you have a fully functioning product.



309-278-5303

AVG. RESOLUTION TIME (*within office hrs*): **5M 4S**



www.vivo-us.com
Chat live with an agent!

AVG. RESOLUTION TIME (*within office hrs*): **< 15 M**



help@vivo-us.com

AVG. RESPONSE TIME (*within office hrs*): **1HR 8M**

- 23% within < 15m
- 38% within < 30m
- 61% within < 1hr
- 83% within < 2hr
- 92% within < 3hr