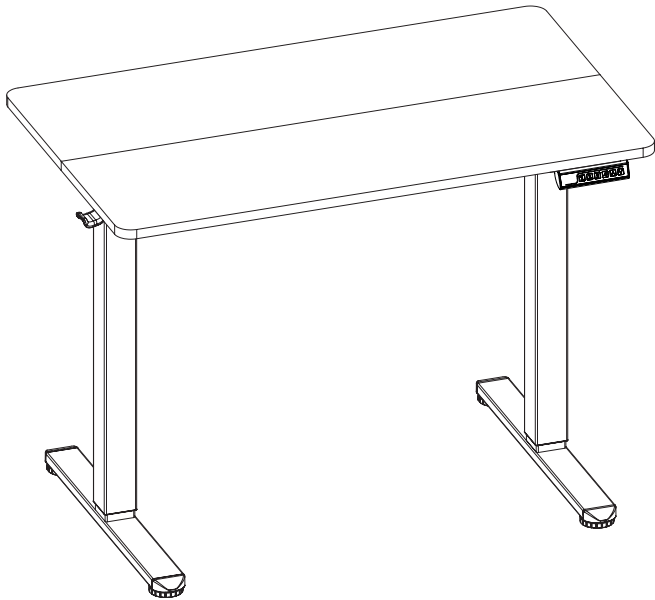


## Dark Wood / Black Electric Desk

### Instruction Manual



**SKU: DESK-E144D**



Scan the QR code with your mobile device or follow the link for helpful videos and specifications related to this product.

<https://vivo-us.com/products/desk-e144b>

**GET IN TOUCH** | Monday-Friday from 7:00am-7:00pm CST



help@vivo-us.com



www.vivo-us.com  
*Chat live with an agent!*



309-278-5303



## WARNING!

If you do not understand these directions, or if you have any doubts about the safety of the installation, please call a qualified technician. Check carefully to make sure there are no missing or defective parts. Improper installation may cause damage or serious injury. Do not use this product for any purpose that is not explicitly specified in this manual and do not exceed weight capacity. We cannot be liable for damage or injury caused by improper mounting, incorrect assembly, or inappropriate use.

## ELECTRICAL SAFETY INSTRUCTIONS

THIS PRODUCT IS POWERED BY ELECTRICITY. IN ORDER TO AVOID BURNS, FIRE AND ELECTRIC SHOCK, PLEASE READ THE FOLLOWING INSTRUCTIONS CAREFULLY.

- DO NOT CLEAN PRODUCT WHILE POWER IS CONNECTED.
- DO NOT DISASSEMBLE OR REPLACE COMPONENTS WHILE POWER IS CONNECTED.
- NEVER OPERATE THE SYSTEM WITH A DAMAGED CORD OR PLUG. PLEASE CONTACT YOUR SELLER TO REPLACE DAMAGED PARTS.
- NEVER OPERATE SYSTEM IN DAMP ENVIRONMENTS OR IF ANY ELECTRICAL COMPONENTS HAVE MADE CONTACT WITH LIQUIDS.
- ALTERATIONS OF THE GIVEN POWER UNIT ARE NOT ALLOWED.
- OUTDOOR USE IS PROHIBITED

## WARNING: CHOKING HAZARD

SMALL PARTS - NOT FOR CHILDREN UNDER 3 YEARS. ADULT SUPERVISION IS REQUIRED.

## PACKAGE CONTENTS



**A (x2)**  
Desktop



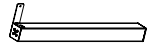
**B (x1)**  
Crossbar



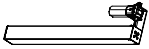
**C (x2)**  
Side Bracket



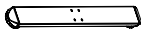
**D (x1)**  
Sync Rod



**E (x1)**  
Leg



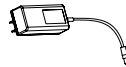
**F (x1)**  
Motorized Leg



**G (x2)**  
Foot



**H (x1)**  
Controller



**I (x1)**  
AC Adapter



**J (x3)**  
Desktop



**K (x12)**  
Anti-Vibration  
Pads



**L (x2)**  
Headphone  
Hook



**M (x2)**  
Cable Clips



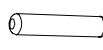
**S-A (x8)**  
M6x35mm  
Screws



**S-B (x10)**  
M6x11mm  
Screws



**S-C (x24)**  
M5x16mm



**S-D (x6)**  
Wood Pegs



**T-A (x1)**  
2mm Allen  
Wrench



**T-B (x1)**  
5mm Allen  
Wrench

**NOTE:** SOME HARDWARE MAY NOT BE USED

## TOOLS NEEDED



Phillips  
Screwdriver

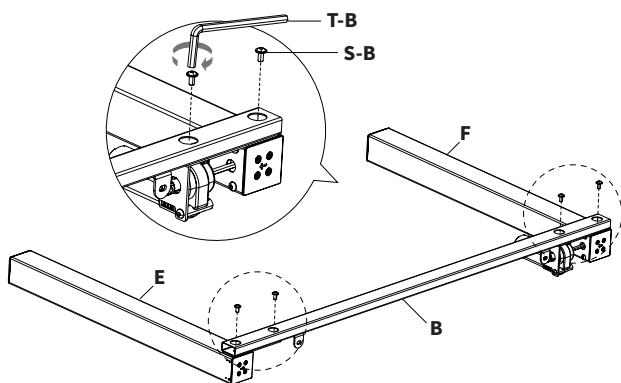
**DO NOT EXCEED WEIGHT CAPACITY.**  
Failure to do so may result in serious injury.

**176lbs**  
**(80kg)**

## ASSEMBLY STEPS

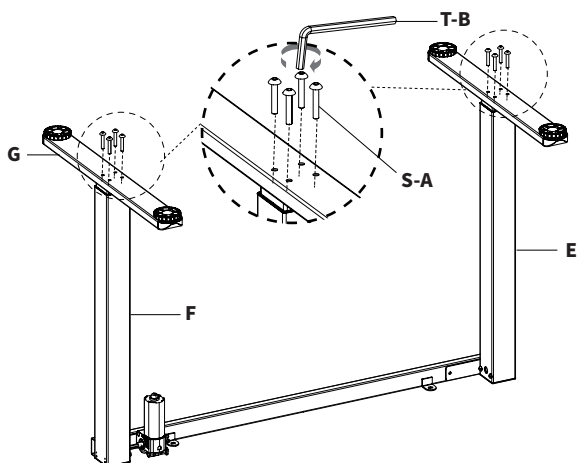
### STEP 1

Assemble Crossbar (**B**) to Leg (**E**) and Motorized Leg (**F**) using M6x11mm Screws (**S-B**) and 5mm Allen Wrench (**T-B**).



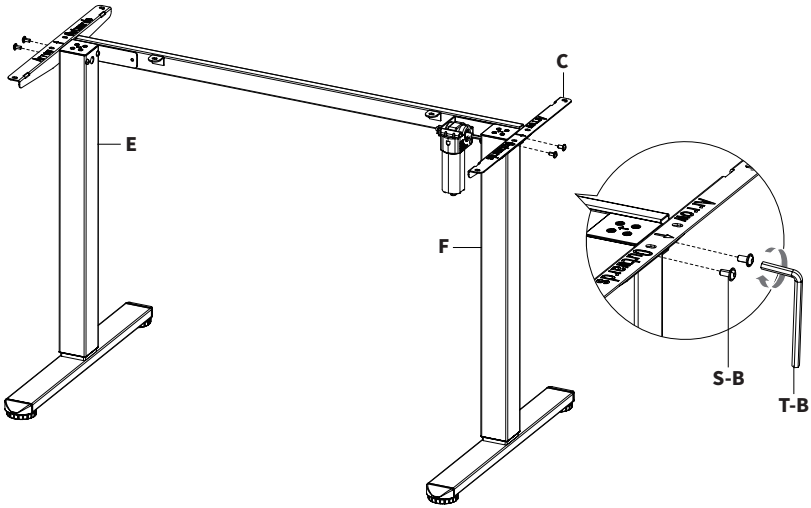
### STEP 2

Turn assembly upside down and connect Foot (**G**) to underside of Leg (**E**) and Motorized Leg (**F**) using M6x35mm Screws (**S-A**) and 5mm Allen Wrench (**T-B**).



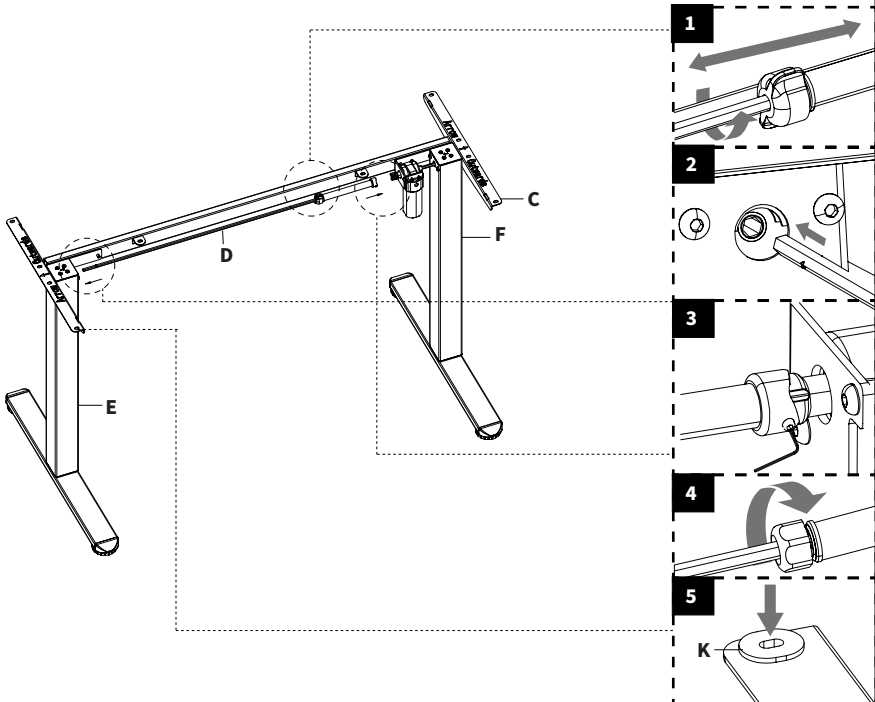
### STEP 3

Flip assembly upright and connect Side Brackets (C) to Leg (E) and Motorized Leg (F) using M6x11mm Screws (S-B) and 5mm Allen Wrench (T-B).



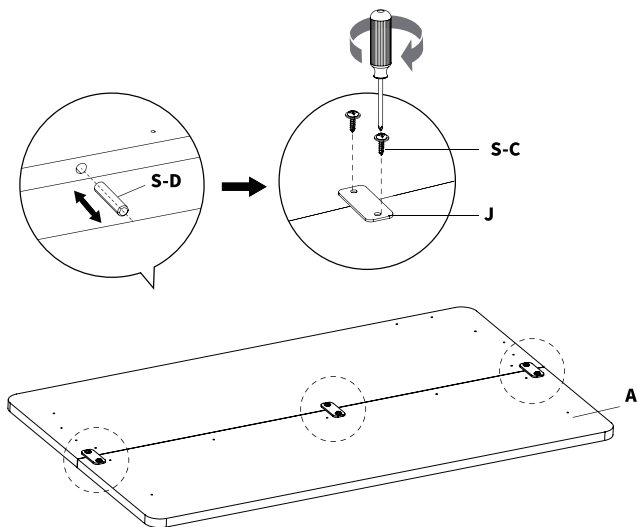
### STEP 4

Loosen the knob on the Sync Rod (D) and extend the hex shaft. Insert hex shaft into the Leg (E), making sure the metal retaining ring makes contact with the Leg (E). While holding the hex shaft with one hand, extend Sync Rod (D) onto the spline shaft of Motorized Leg (F). Tighten Sync Rod (D) using 2mm Allen Wrench (T-A). Retighten knob. Apply Anti-Vibration Pads (K) to Side Brackets (C).



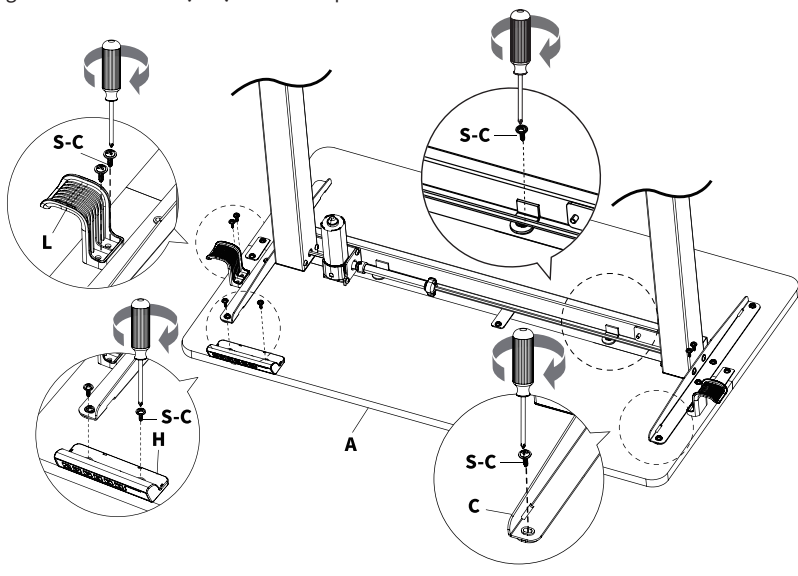
## STEP 5

Connect Desktop (**A**) using Wood Pegs (**S-D**). Secure using Desktop Connector (**J**), M5x16mm Screws (**S-C**), and a Phillips screwdriver.



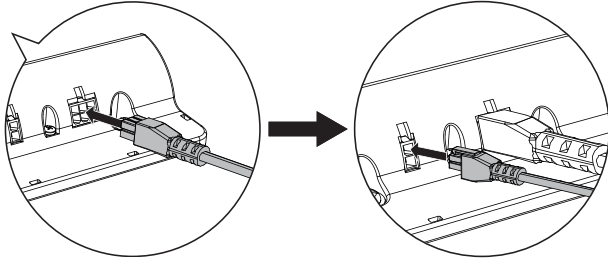
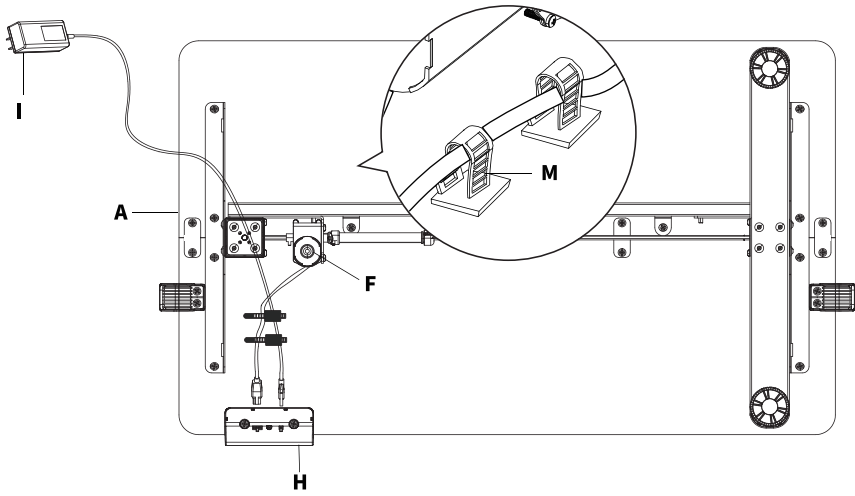
## STEP 6

Flip desk frame assembly over and place on top of Desktop (**A**). Secure Side Brackets (**C**) to Desktop (**A**) using M5x16mm Screws (**S-C**) and a Phillip screwdriver. Attach Headphone Hooks (**L**) and Controller (**H**) using M5x16mm Screws (**S-C**) and a Phillips screwdriver.

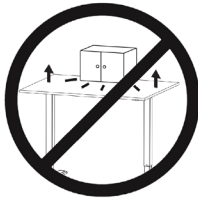


## STEP 7

Connect cable from Motorized Leg (F) to Controller (H), as shown below. Connect AC Adapter (I) to Controller (H). Secure cables to Desktop (A) using Cable Clips (M).



### CAUTION!



Failure to follow these instructions may result in property damage and/or personal injury.

THIS PAGE INTENTIONALLY LEFT BLANK



Open **Monday - Friday 7:00am - 7:00pm** CST, our dedicated support team can offer immediate assistance with rapid response times. If any parts are received damaged or defective, please contact us. We are happy to replace parts to ensure you have a fully functioning product.



309-278-5303

**AVG. RESOLUTION TIME** *(within office hrs):* **5M 4S**

---



[www.vivo-us.com](http://www.vivo-us.com)  
*Chat live with an agent!*

**AVG. RESOLUTION TIME** *(within office hrs):* **< 15 M**

---



[help@vivo-us.com](mailto:help@vivo-us.com)

**AVG. RESPONSE TIME** *(within office hrs):* **1HR 8M**

- 23% within < 15m
- 38% within < 30m
- 61% within < 1hr
- 83% within < 2hr
- 92% within < 3hr