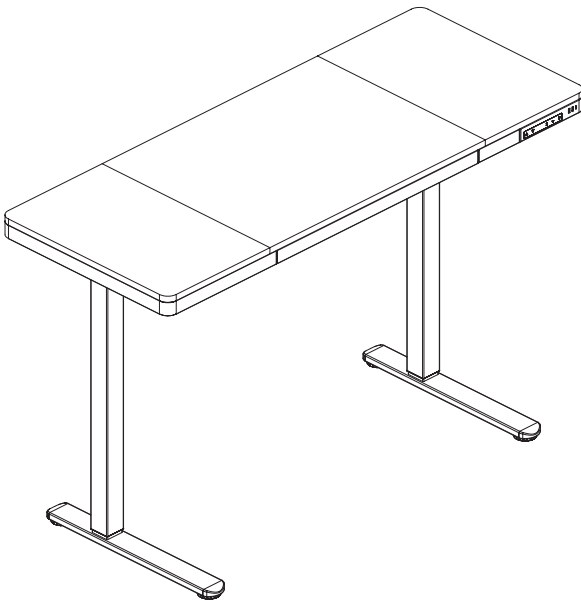




Black 60" x 24" Electric Desk
with Built-in Drawer
Instruction Manual



SKU: DESK-E-D60B



Scan the QR code with your mobile device or follow the link for helpful videos and specifications related to this product.
<https://vivo-us.com/products/desk-e-d60b>

GET IN TOUCH | Monday-Friday from 7:00am-7:00pm CST



help@vivo-us.com



www.vivo-us.com
Chat live with an agent!



309-278-5303

⚠️ WARNING!

If you do not understand these directions, or if you have any doubts about the safety of the installation, please call a qualified technician. Check carefully to make sure there are no missing or defective parts. Improper installation may cause damage or serious injury. Do not use this product for any purpose that is not explicitly specified in this manual and do not exceed weight capacity. We cannot be liable for damage or injury caused by improper mounting, incorrect assembly, or inappropriate use.

⚠️ ELECTRICAL SAFETY INSTRUCTIONS

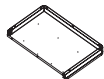
THIS PRODUCT IS POWERED BY ELECTRICITY. IN ORDER TO AVOID BURNS, FIRE AND ELECTRIC SHOCK, PLEASE READ THE FOLLOWING INSTRUCTIONS CAREFULLY.

- DO NOT CLEAN PRODUCT WHILE POWER IS CONNECTED.
- DO NOT DISASSEMBLE OR REPLACE COMPONENTS WHILE POWER IS CONNECTED.
- NEVER OPERATE THE SYSTEM WITH A DAMAGED CORD OR PLUG. PLEASE CONTACT YOUR SELLER TO REPLACE DAMAGED PARTS.
- NEVER OPERATE SYSTEM IN DAMP ENVIRONMENTS OR IF ANY ELECTRICAL COMPONENTS HAVE MADE CONTACT WITH LIQUIDS.
- ALTERATIONS OF THE GIVEN POWER UNIT ARE NOT ALLOWED.
- OUTDOOR USE IS PROHIBITED.

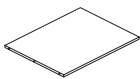
⚠️ WARNING: CHOKING HAZARD

SMALL PARTS - NOT FOR CHILDREN UNDER 3 YEARS. ADULT SUPERVISION IS REQUIRED.

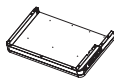
PACKAGE CONTENTS



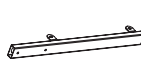
A (x1)
Left Desktop Panel



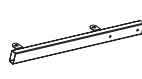
B (x1)
Middle Desktop Panel



C (x1)
Right Desktop Panel



D (x1)
Left Crossbar



E (x1)
Right Crossbar



F (x1)
Crossbar Connector



G (x1)
Back Facade



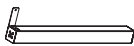
H (x1)
Sync Rod



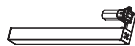
I (x1)
Left Side Bracket



J (x1)
Right Side Bracket



K (x1)
Leg



L (x1)
Motorized Leg



M (x1)
Left Drawer Support



N (x1)
Right Drawer Support



O (x1)
Drawer



P (x2)
Foot



Q (x1)
AC Adapter



R (x17)
Rubber Pads



S (x2)
Cable Clips



S-A (x14)
M6x11mm
Screws



S-B (x9)
M6x35mm
Screws



S-C (x17)
M5x16mm
Screws



S-D (x5)
M5x55mm
Screws



S-E (x8)
Wooden Dowel



S-F (x14)
M5x12mm
Screws



T-A (x1)
2mm Allen Wrench



T-B (x1)
5mm Allen Wrench

NOTE: Extra hardware included.

DO NOT EXCEED WEIGHT CAPACITY.
Failure to do so may result in serious injury.



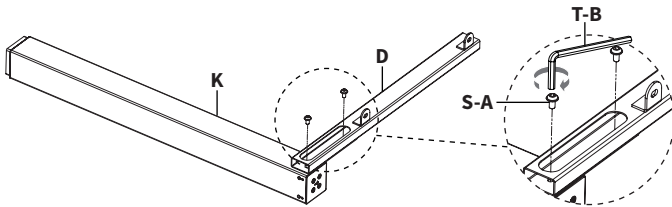
TOOLS NEEDED



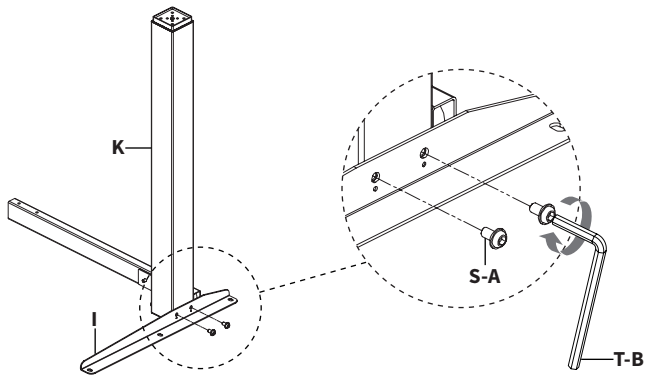
ASSEMBLY STEPS

STEP 1

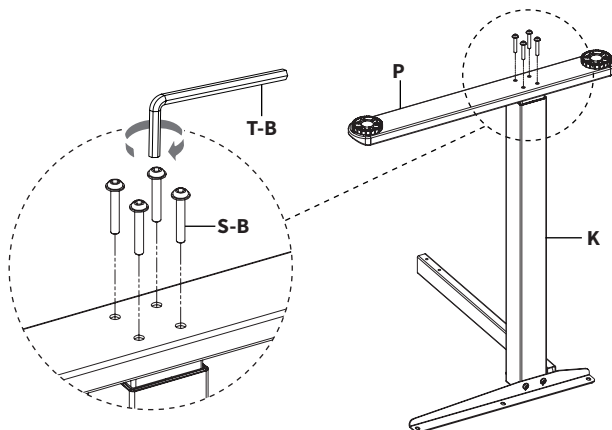
Attach Left Crossbar (**D**) to Leg (**K**) using M6x11mm Screws (**S-A**) and 5mm Allen Wrench (**T-B**).



Connect Left Side Bracket (**I**) to Leg (**K**) using M6x11mm Screws (**S-A**) and 5mm Allen Wrench (**T-B**).

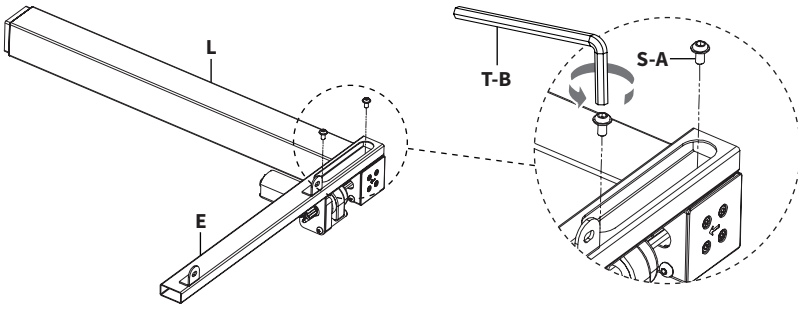


Install Foot (**P**) to underside of Leg (**K**) using M6x35mm Screws (**S-B**) and 5mm Allen Wrench (**T-B**).

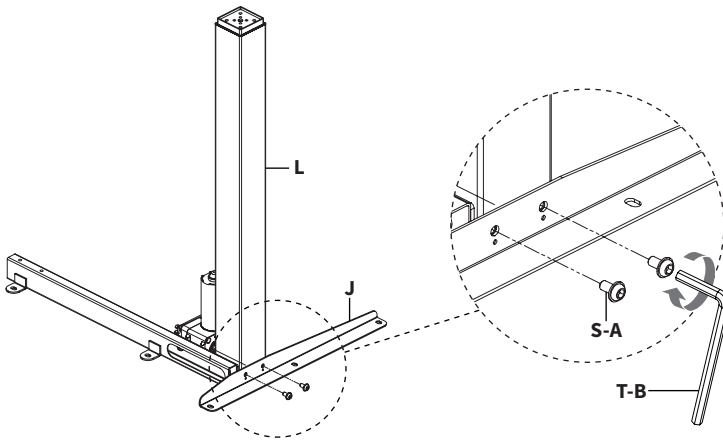


STEP 2

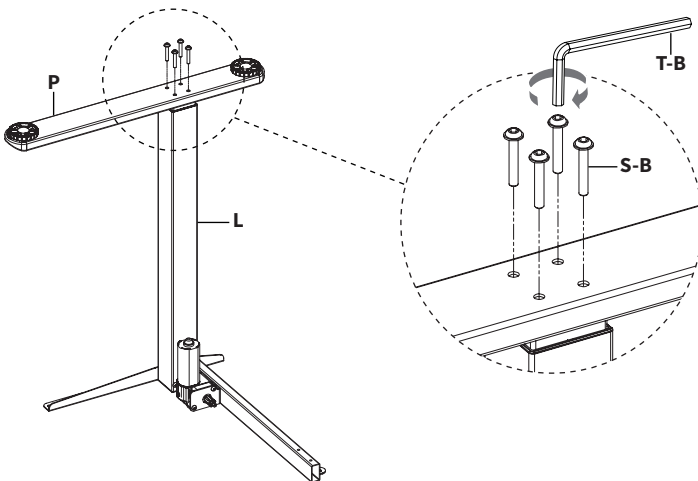
Connect Right Crossbar (**E**) to Motorized Leg (**L**) using M6x11mm Screws (**S-A**) and 5mm Allen Wrench (**T-B**).



Connect Right Side Bracket (**J**) to Motorized Leg (**L**) using M6x11mm Screws (**S-A**) and 5mm Allen Wrench (**T-B**).

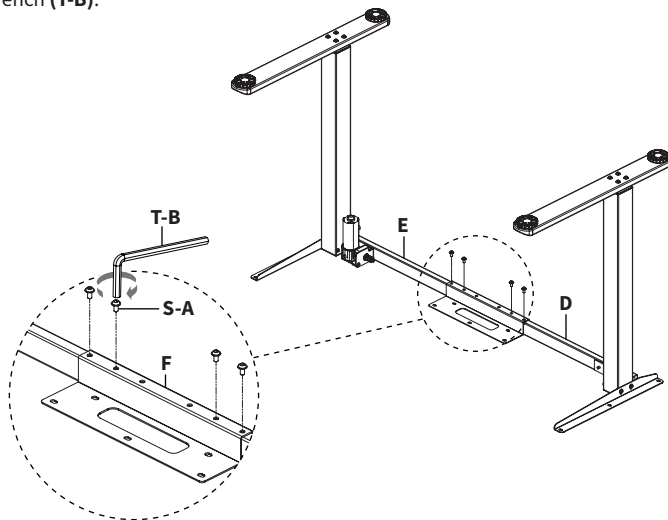


Install Foot (**P**) to underside of Motorized Leg (**L**) using M6x35mm Screws (**S-B**) and 5mm Allen Wrench (**T-B**).



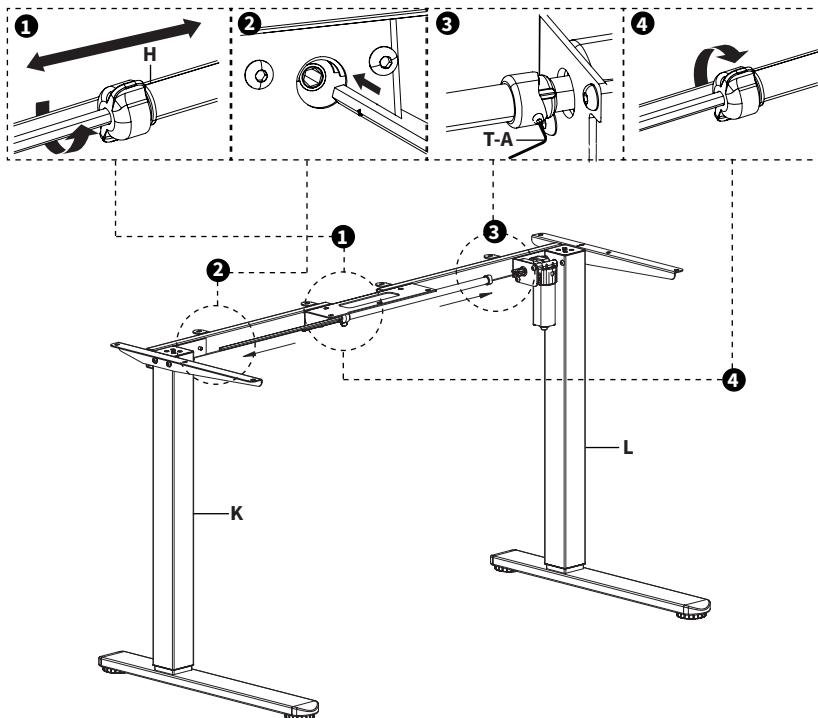
STEP 3

Connect Left and Right Crossbars (**D**, **E**) using Crossbar Connector (**F**), M6x11mm Screws (**S-A**), and 5mm Allen Wrench (**T-B**).



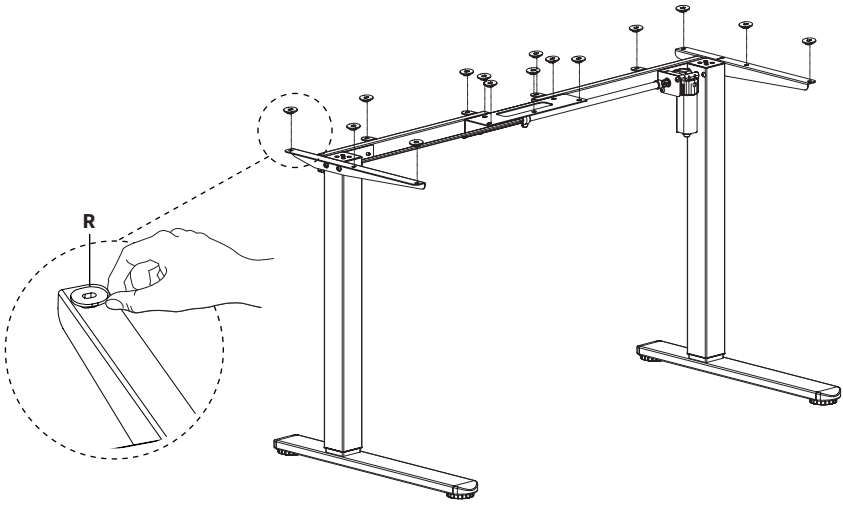
STEP 4

1. Loosen the nut on Sync Rod (**H**). **2.** Insert the hex end into Leg (**K**). **3.** While holding the hex end, pull the larger rod out until the connector engages with Motorized Leg (**L**). **3.** Tighten the set screw on Sync Rod (**H**) using 2mm Allen Wrench (**T-A**). **4.** Re-tighten the nut.



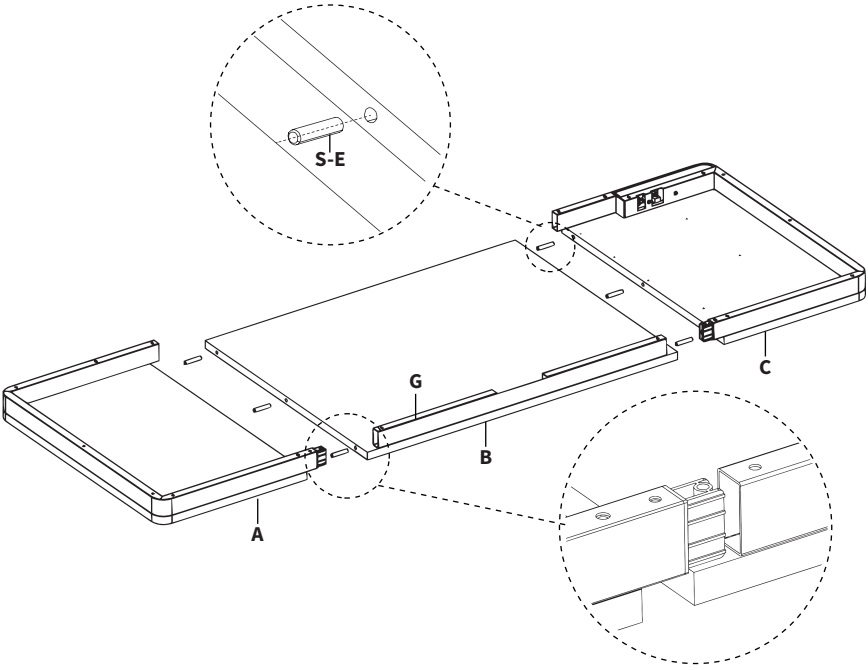
STEP 5

Apply Rubber Pads (**R**) to assembled frame.



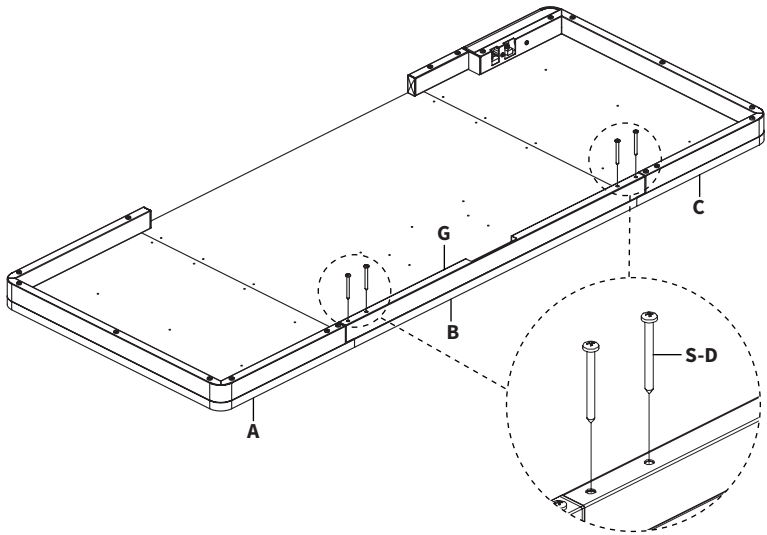
STEP 6

Set out Left, Middle, and Right Desktop Panels (**A, B, C**) in the order shown below. Place Back Facade (**G**) on back edge of Middle Desktop Panel (**B**). Connect Desktop Panels (**A, B, C**) together using Wooden Dowels (**S-E**), pressing plastic end caps on Left and Right Desktop Panels (**A, C**) into the ends of Back Facade (**G**).



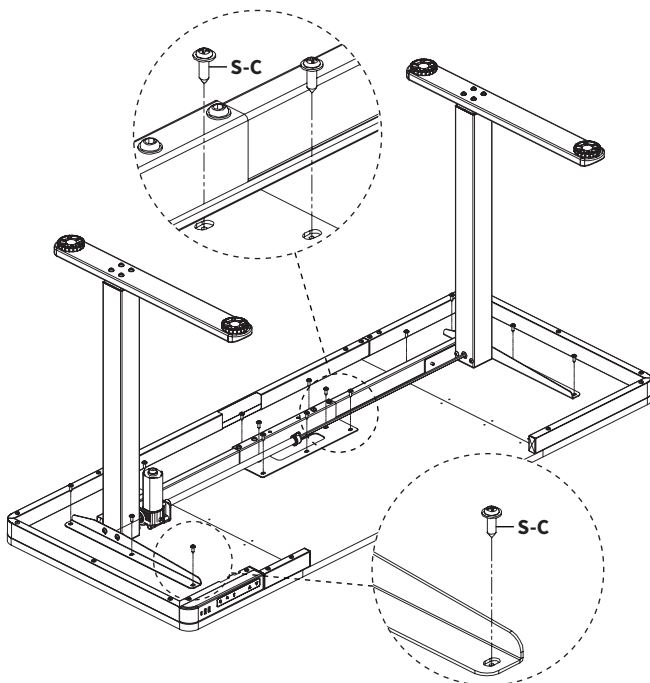
STEP 7

Secure Back Facade (**G**) to Desktop Panels (**A, B, C**) using M5x55mm Screws (**S-D**) and a Phillips screwdriver.



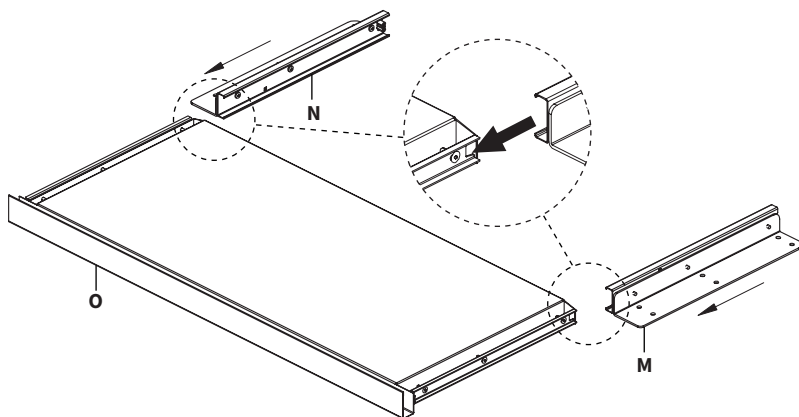
STEP 8

Secure the frame assembly to the desktop assembly using M5x16mm Screws (**S-C**) and a Phillips screwdriver.



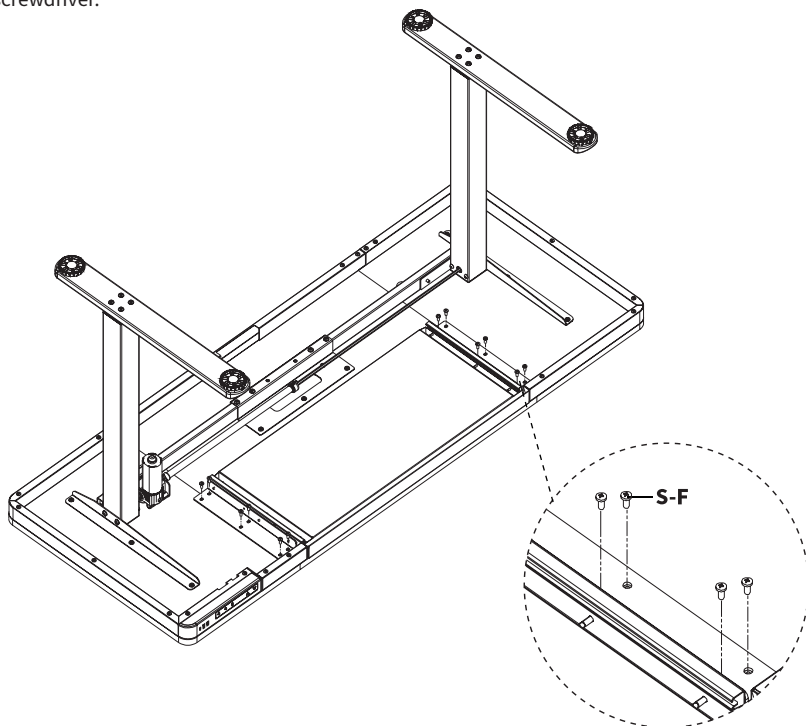
STEP 9

Slide Left and Right Drawer Support (**M,N**) onto Drawer (**O**) with bracket facing away from Drawer (**O**).



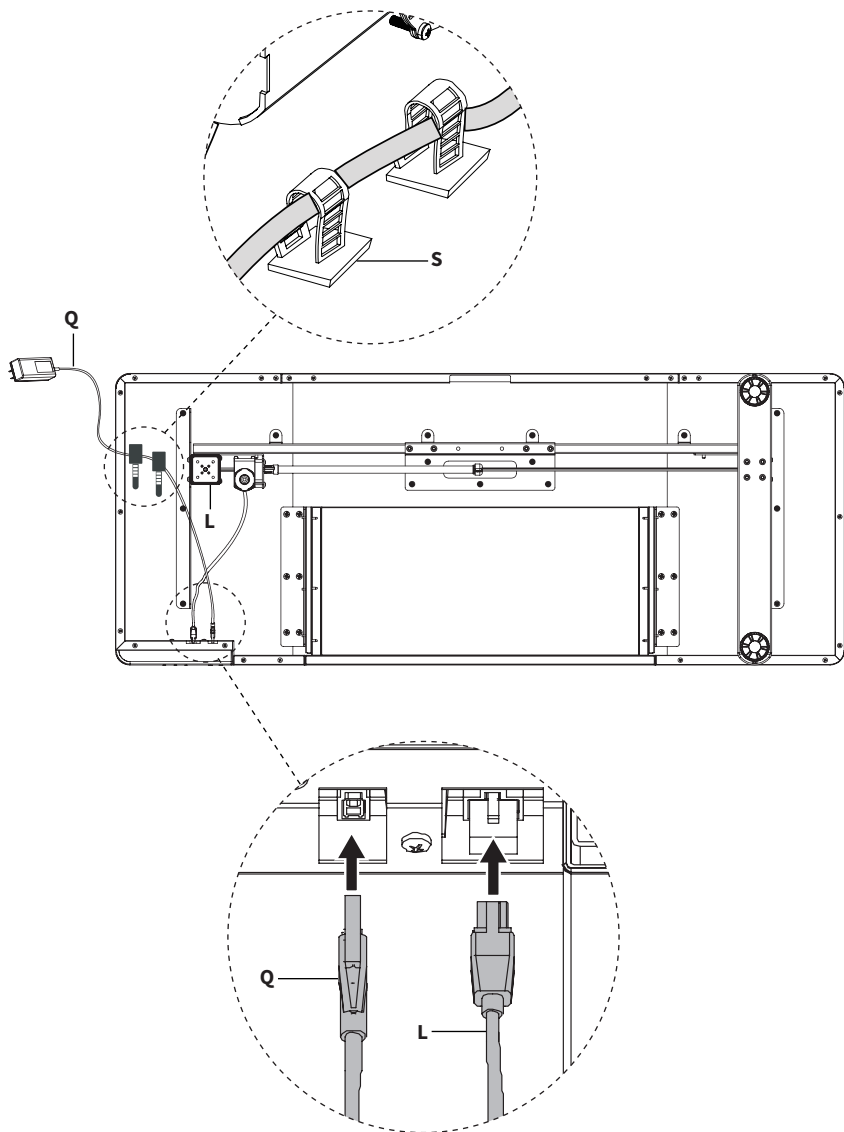
STEP 10

Install drawer assembly to underside of desktop using M5x12mm Screws (**S-F**) and a Phillips screwdriver.

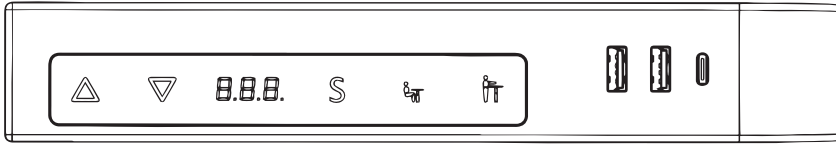


STEP 11

Connect AC Adapter (**Q**) and cable from Motorized Leg (**L**) to back of controller, as shown below. Remove adhesive backing from Cable Clips (**S**) and apply them to the underside of the desktop to keep cables secure.



CONTROLLER



Up Arrow

Press and hold for continuous upward movement. Short press for 0.39"/1cm movement.



Down Arrow

Press and hold for continuous downward movement. Short press for 0.39"/1cm movement.



Set

Press once and then select one of two memory preset buttons to save the height.



Sitting Height Preset

After programming preset, press once for desk to return to programmed height.



Sitting Height Preset

After programming preset, press once for desk to return to programmed height.

OPERATING INSTRUCTIONS: When the system is powered on, the existing desktop height will appear on the control panel.

Power-Saving Mode

When no actions are made for over 10 seconds, the system will enter power-saving mode. Touch any button to enter operation mode.

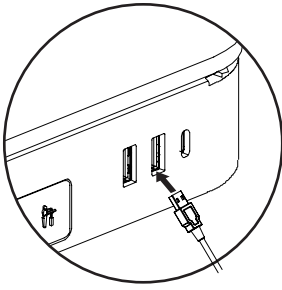
Function Mode

Press and hold the "S" button for 3 seconds, or until "S - -" begins flashing on the display. Press "S" again to enter Function mode. Within function mode, use the up and down buttons to scroll through settings, and use the "S" button to select options. If no action is taken for 20 seconds, the desk will return to operating mode.

- **Change Displayed Unit (Un):** Press the up or down buttons until the display shows "Un", and press "S" to select. Press up or down to select "SI" (metric) or "In" (imperial). Hold "S" for 2 seconds to save the setting.
- **Change Brightness (br):** Press the up or down buttons until the display shows "br", and press "S" to select. Press up or down to select Low (L), Normal (n) or High (H) brightness. Hold "S" for 2 seconds to save the setting.
- **Collision Force Detection (CF):** Press the up or down buttons until the display shows "CF", and press "S" to select. Press up or down to select "OFF", Low (L), Normal (n) or Heavy (H) collision force detection. Hold "S" for 2 seconds to save the setting.

Reset Mode

While the unit is powered on, press the down arrow until the desk moves to the fully lowered position. Press and hold the down arrow for 5 seconds or until "rES" is displayed to enter reset mode. Continue holding the down arrow, and the desk will move down to the lowest possible height and then move back up slightly. The desk will then return to operating mode.



USB Function

Controller includes two USB-A ports and one USB-C port compatible with charging mobile devices. Ports are ready to use whenever desk is fully powered.

TROUBLESHOOTING

Error Code	Description/Resolution
HOT	Overheated Warning: Hot is displayed when desk has been working continuously for 2 minutes. Unplug desk from wall outlet and allow to sit for at least 18 minutes before attempting further adjustments.
E10	Sensor Alarm: Motor is not detected. Disconnect the desk from wall outlet, then disconnect motor cable from controller. Re-connect motor cable and restore power to desk.
E20	Overload Alarm: Items on desk may exceed weight capacity. If error appears when raising desk, remove items and try adjusting height again. If error occurs when lowering desk, disconnect power first and remove items. Re-power desk and try again.
E02	Collision Alert: Obstacle encountered. Desk will automatically move back 4cm after collision.
E31	Under-Voltage: Voltage is lower than required. Disconnect desk from power source and check cable connections. Re-connect desk to power source and try again.
E32	Over-Voltage: Voltage exceed limits. Disconnect desk from power source and check cable connections. Re-connect desk to power source and try again.



Open **Monday - Friday 7:00am - 7:00pm** CST,
our dedicated support team can offer immediate assistance with rapid response times. If any parts are received damaged or defective, please contact us. We are happy to replace parts to ensure you have a fully functioning product.



309-278-5303

AVG. RESOLUTION TIME (*within office hrs*): **5M 4S**



www.vivo-us.com
Chat live with an agent!

AVG. RESOLUTION TIME (*within office hrs*): **< 15 M**



help@vivo-us.com

AVG. RESPONSE TIME (*within office hrs*): **1HR 8M**

- 23% within < 15m
- 38% within < 30m
- 61% within < 1hr
- 83% within < 2hr
- 92% within < 3hr